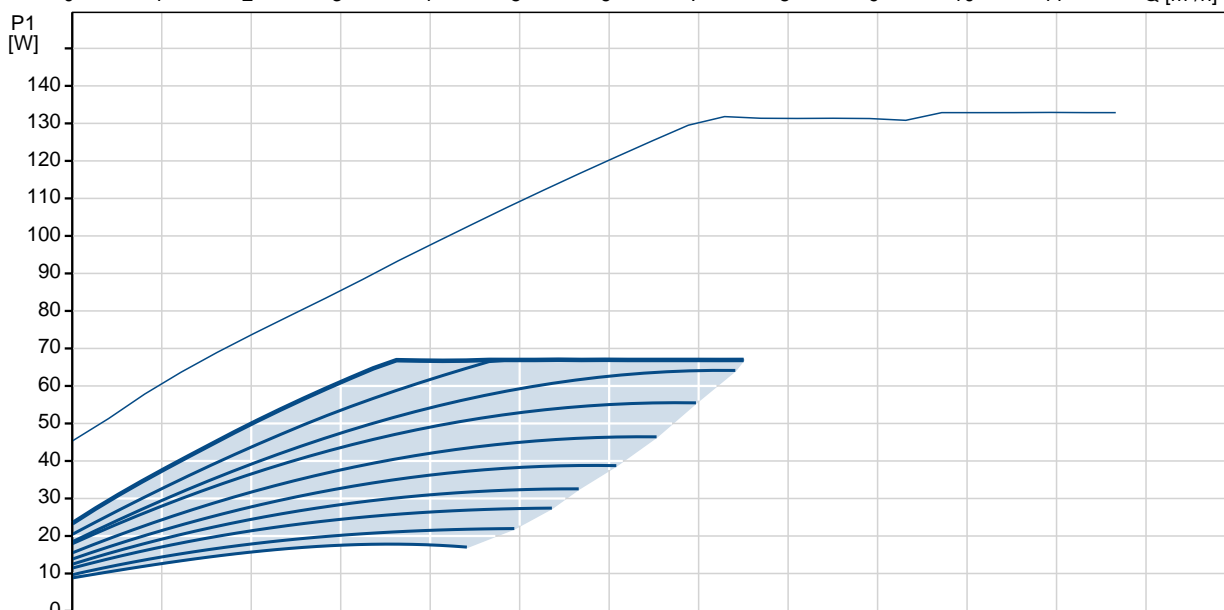
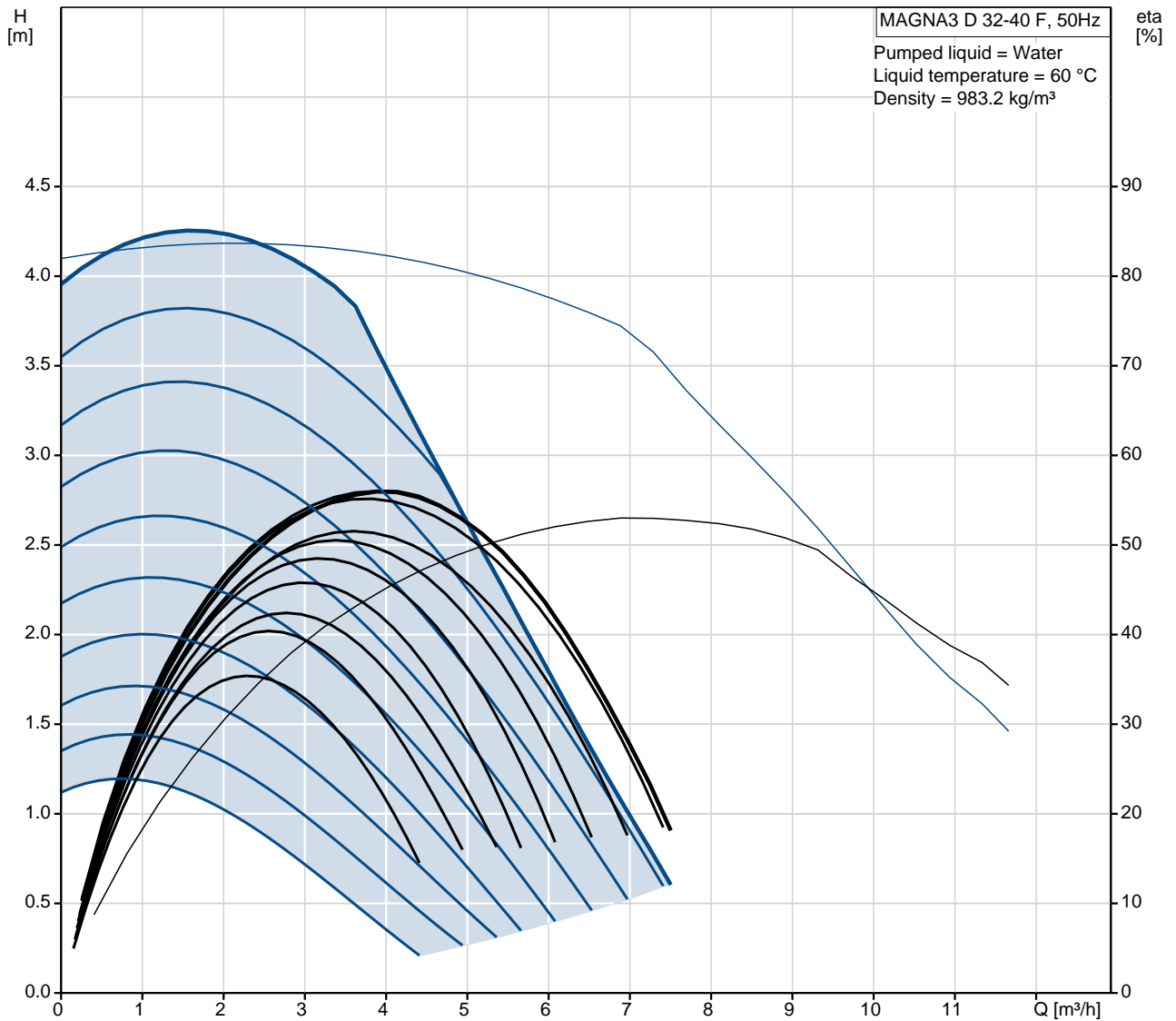


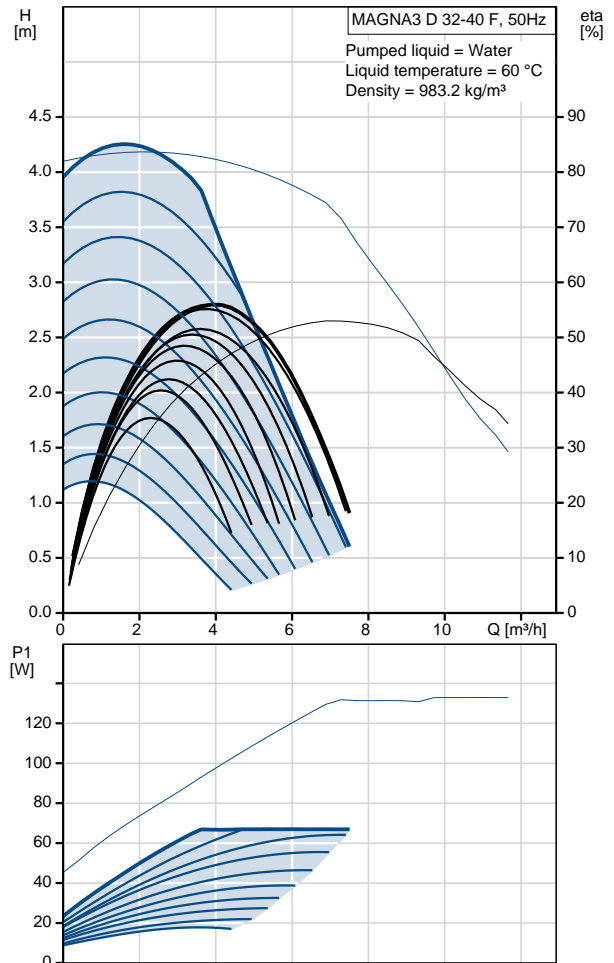
Position	Qty.	Description
	1	<p data-bbox="320 338 544 365">MAGNA3 D 32-40 F</p> <div data-bbox="344 483 671 685" data-label="Image"> </div> <p data-bbox="711 770 1193 792" style="text-align: center;">Note! Product picture may differ from actual product</p> <p data-bbox="320 801 584 824">Product No.: 98333840</p> <p data-bbox="320 862 655 884">MAGNA3 – More than a pump</p> <p data-bbox="320 891 1445 965">With its unrivalled efficiency, all-encompassing range and built-in communication capabilities plus functionalities replacing system components, the MAGNA3 is ideal for engineers and specifiers looking to create high-performance systems for buildings.</p> <p data-bbox="320 976 1441 1028">This pump in the Grundfos Master Class will fit both heating and cooling applications perfectly, making it the obvious choice for almost any building project – old or new.</p> <p data-bbox="320 1066 1430 1117">The MAGNA3 is of the canned-rotor type, i.e. pump and motor form an integral unit without shaft seal and with only two gaskets for sealing. The bearings are lubricated by the pumped liquid.</p> <p data-bbox="320 1126 1286 1149">The innovative clamp with only one screw enables easy repositioning of the pump head.</p> <p data-bbox="320 1155 1414 1178">The MAGNA3 is a pump with no maintenance requirements and with extremely low Life Cycle Cost.</p> <p data-bbox="320 1216 799 1238">The pump is characterised by the following:</p> <ul data-bbox="320 1245 906 1507" style="list-style-type: none"> • controller integrated in the control box • control panel with TFT display on the control box • control box prepared for optional CIM modules • built-in differential-pressure and temperature sensor • cast-iron pump housing (depending on model) • carbon-fibre-reinforced composite rotor can • stainless-steel bearing plate and rotor cladding • aluminium alloy stator housing • air-cooled power electronics <p data-bbox="320 1514 743 1536">The MAGNA3 is a single-phase pump.</p> <p data-bbox="320 1574 568 1597">Characteristic features</p> <ul data-bbox="320 1603 1445 1977" style="list-style-type: none"> • AUTOADAPT. • FLOWADAPT and FLOWLIMIT (more than a pump function as it reduces the need for pump throttling valves). • Proportional-pressure control. • Constant-pressure control. • Constant-temperature control. • Constant-curve duty. • Max. or min. curve duty. • Automatic Night Setback. • No external motor protection required. • Insulating shells supplied with single-head pumps for heating systems. • Large temperature range where the liquid temperature and the ambient temperature are independent of each other. <p data-bbox="320 2016 496 2038">Communication</p> <p data-bbox="320 2045 935 2067">The MAGNA3 enables communication via the following:</p> <ul data-bbox="320 2074 675 2096" style="list-style-type: none"> • wireless Grundfos GO Remote

Position	Qty.	Description
		<ul style="list-style-type: none"> • fieldbus communication via CIM modules • digital inputs • relay outputs • analog input (more than a pump function as heat energy meter) <p>Motor and electronic controller</p> <p>The MAGNA3 incorporates a 4-pole synchronous, permanent-magnet motor (PM motor). This motor type is characterised by higher efficiency than a conventional asynchronous squirrel-cage motor.</p> <p>The pump speed is controlled by an integrated frequency converter.</p> <p>A differential-pressure and temperature sensor is incorporated in the pump.</p> <p>Liquid:</p> <p>Pumped liquid: Water</p> <p>Liquid temperature range: -10 .. 110 °C</p> <p>Liquid temp: 60 °C</p> <p>Density: 983.2 kg/m³</p> <p>Technical:</p> <p>TF class: 110</p> <p>Approvals on nameplate: CE,VDE,EAC</p> <p>Materials:</p> <p>Pump housing: Cast iron EN-GJL-250 ASTM A48-250B</p> <p>Impeller: PES 30%GF</p> <p>Installation:</p> <p>Range of ambient temperature: 0 .. 40 °C</p> <p>Maximum operating pressure: 10 bar</p> <p>Flange standard: DIN</p> <p>Pipe connection: DN 32</p> <p>Pressure stage: PN6/10</p> <p>Port-to-port length: 220 mm</p> <p>Electrical data:</p> <p>Power input - P1: 9 .. 74 W</p> <p>Mains frequency: 50 Hz</p> <p>Rated voltage: 1 x 230 V</p> <p>Maximum current consumption: 0.09 .. 0.61 A</p> <p>Enclosure class (IEC 34-5): X4D</p> <p>Insulation class (IEC 85): F</p> <p>Others:</p> <p>Label: Grundfos Blueflux</p> <p>Energy (EEI): 0.20</p> <p>Net weight: 15.6 kg</p> <p>Gross weight: 16.3 kg</p> <p>Shipping volume: 52.5 m³</p>

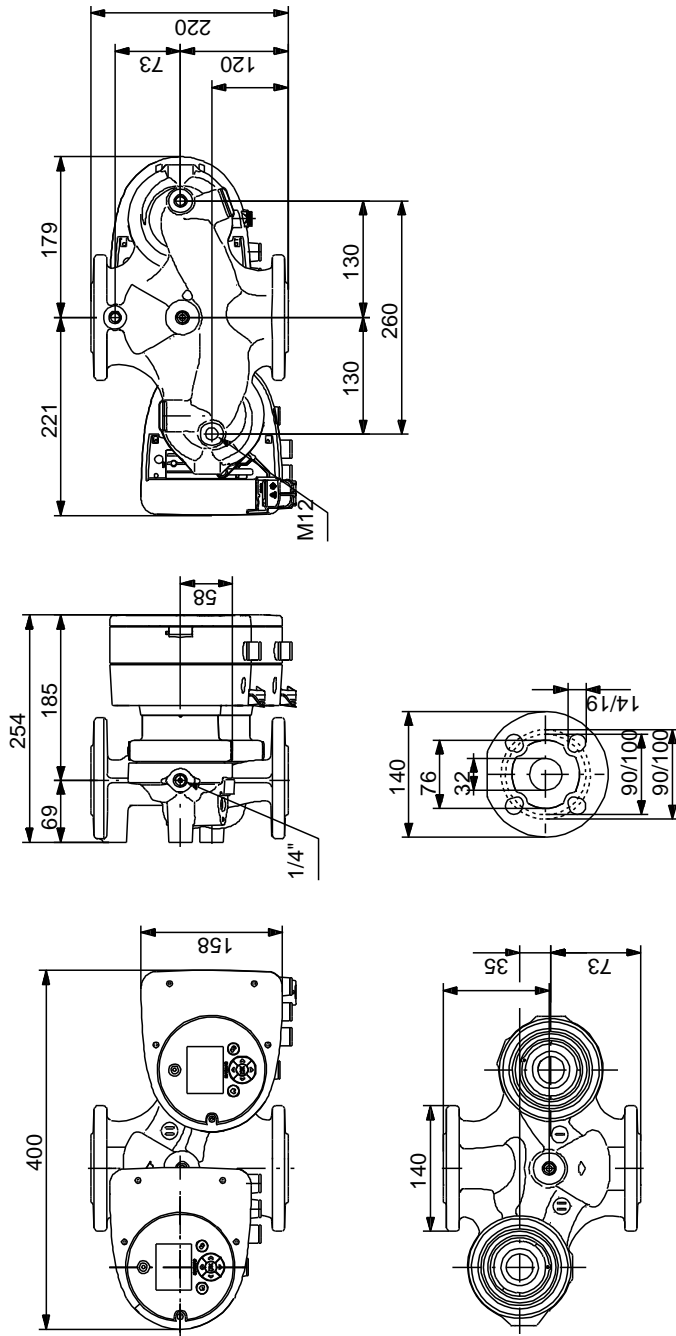
98333840 MAGNA3 D 32-40 F 50 Hz



Description	Value
General information:	
Product name:	MAGNA3 D 32-40 F
Product No:	98333840
EAN number:	5710629850843
Price:	On request
Technical:	
Head max:	40 dm
TF class:	110
Approvals on nameplate:	CE,VDE,EAC
Model:	C
Materials:	
Pump housing:	Cast iron EN-GJL-250 ASTM A48-250B
Impeller:	PES 30%GF
Installation:	
Range of ambient temperature:	0 .. 40 °C
Maximum operating pressure:	10 bar
Flange standard:	DIN
Pipe connection:	DN 32
Pressure stage:	PN6/10
Port-to-port length:	220 mm
Liquid:	
Pumped liquid:	Water
Liquid temperature range:	-10 .. 110 °C
Liquid temp:	60 °C
Density:	983.2 kg/m ³
Electrical data:	
Power input - P1:	9 .. 74 W
Mains frequency:	50 Hz
Rated voltage:	1 x 230 V
Maximum current consumption:	0.09 .. 0.61 A
Enclosure class (IEC 34-5):	X4D
Insulation class (IEC 85):	F
Others:	
Label:	Grundfos Blueflux
Energy (EEI):	0.20
Net weight:	15.6 kg
Gross weight:	16.3 kg
Shipping volume:	52.5 m ³



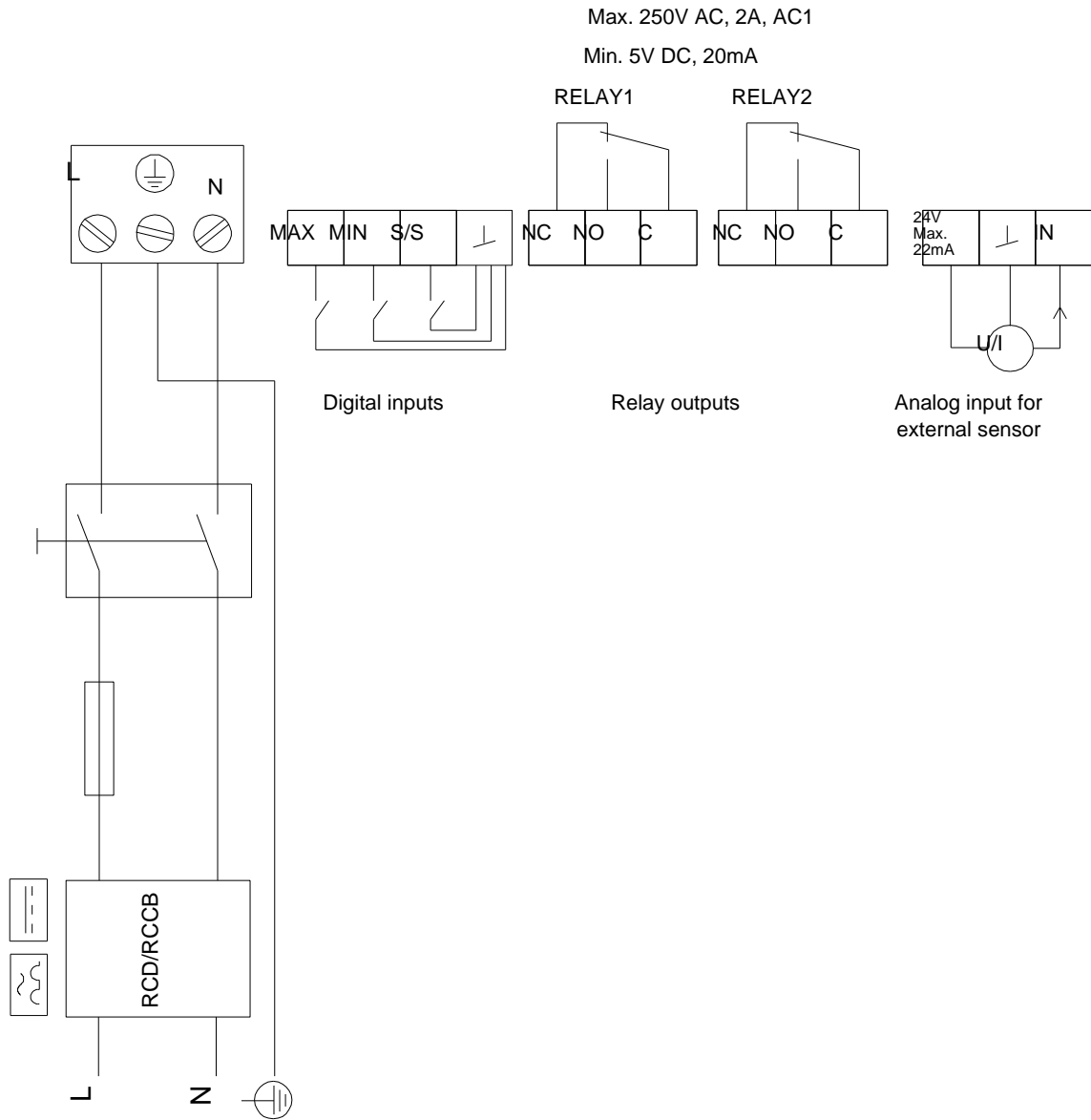
98333840 MAGNA3 D 32-40 F 50 Hz



Note! All units are in [mm] unless others are stated.
Disclaimer: This simplified dimensional drawing does not show all details.

98333840 MAGNA3 D 32-40 F 50 Hz

Example of mains-connected motor with mains switch, backup fuse and additional protection



Note! All units are in [mm] unless others are stated.