
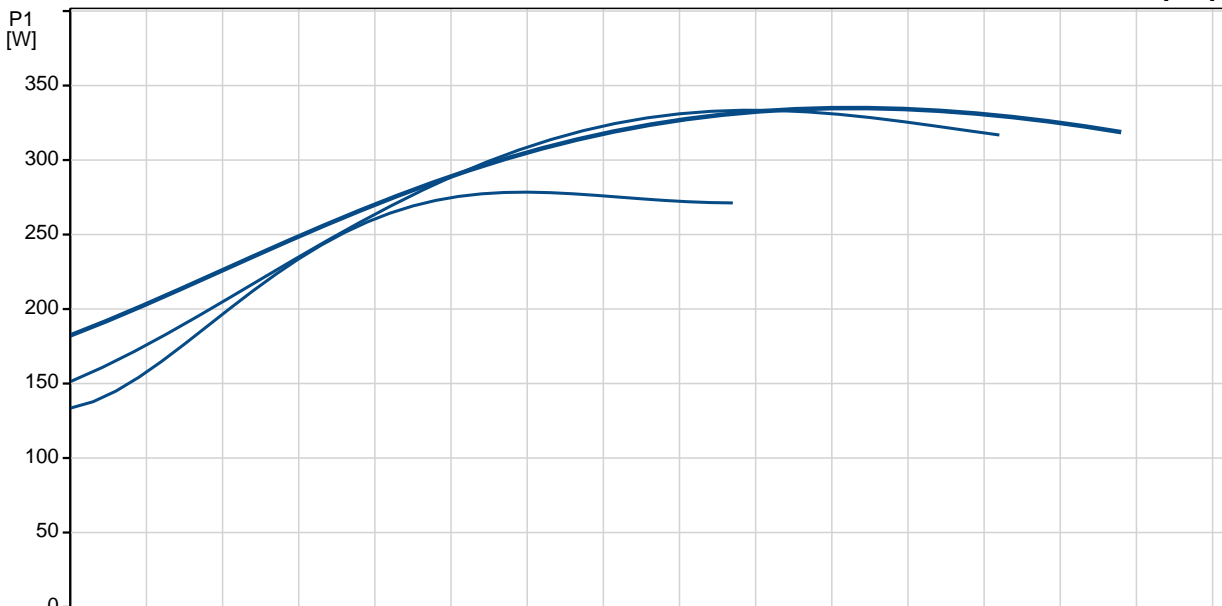
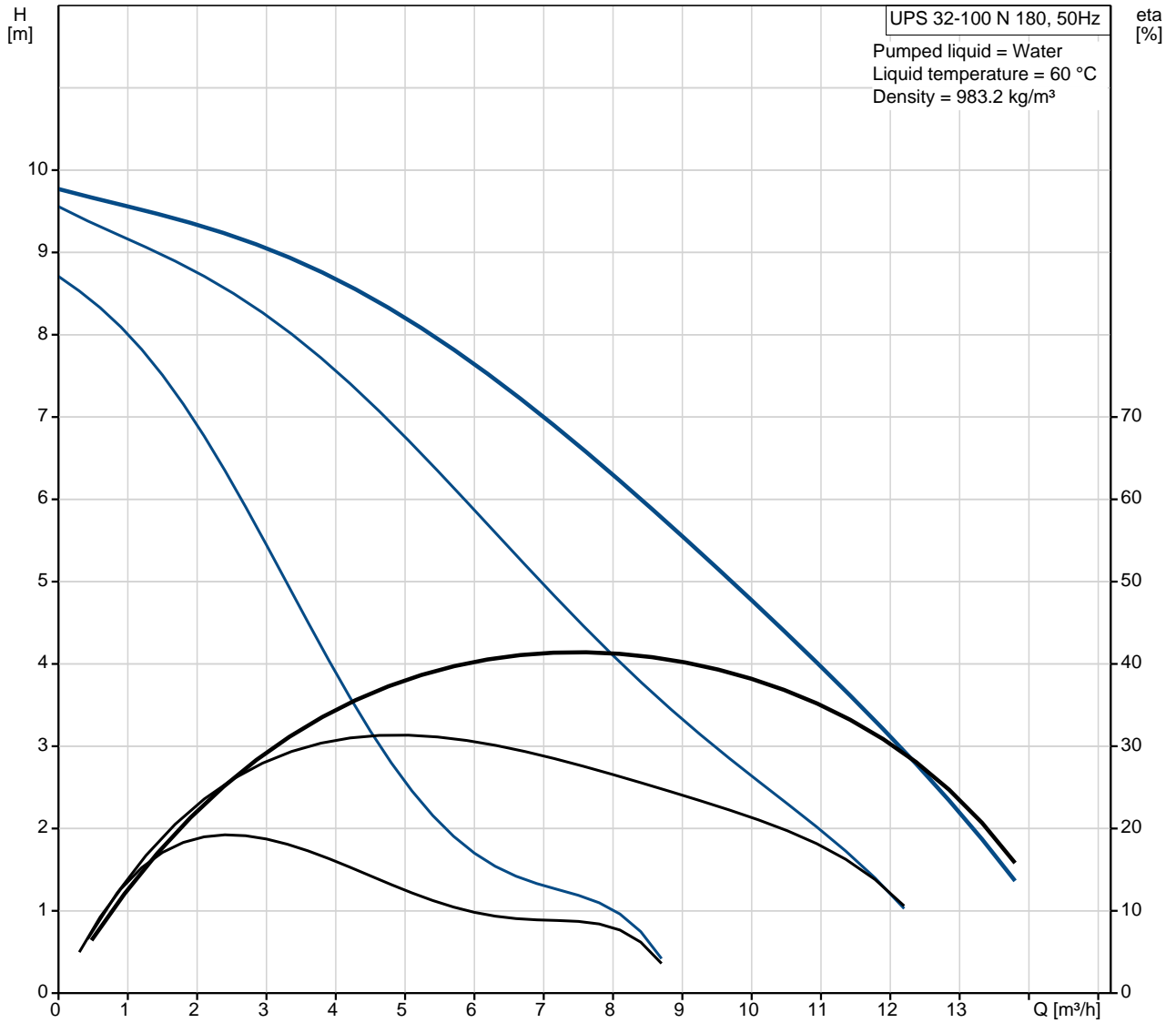


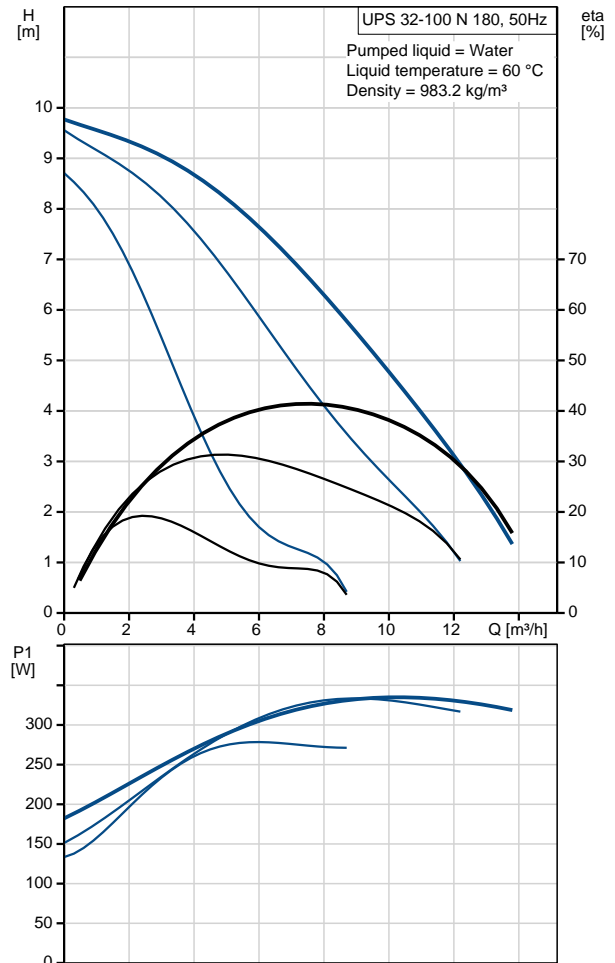
Position	Qty.	Description
	1	<p>UPS 32-100 N 180</p>  <p style="text-align: center;">Note! Product picture may differ from actual product</p> <p>Product No.: 98057249</p> <p>The pump is of the canned rotor type, i.e. pump and motor form an integral unit without shaft seal and with only two gaskets for sealing. The bearings are lubricated by the pumped liquid. The pump has 3-step speed selector. The pump is characterized by:</p> <ul style="list-style-type: none"> * Stainless steel shaft. * Ceramic radial bearing system. * Carbon axial bearing. * Stainless steel rotor can and bearing plate. * Corrosion-resistant impeller, Composite, PES/PP. * Stainless steel pump housing. <p>The motor is a 1-phase motor. No additional motor protection is required.</p> <p>Liquid:</p> <p>Pumped liquid: Water Liquid temperature range: -25 .. 110 °C Liquid temp: 60 °C Density: 983.2 kg/m³</p> <p>Technical:</p> <p>TF class: 110</p> <p>Materials:</p> <p>Pump housing: Stainless steel DIN W.-Nr. 1.4301 Impeller: Composite, PES/PP</p> <p>Installation:</p> <p>Amb. max at 80 dgr C liquid: 40 °C Maximum operating pressure: 10 bar Pipe connection: G 2 Pressure stage: PN 10 Port-to-port length: 180 mm</p> <p>Electrical data:</p> <p>C run: 9.5 µF Power input in speed 1: 280 W Power input in speed 2: 340 W Max. power input: 345 W Mains frequency: 50 Hz</p>

Position	Qty.	Description
		Rated voltage: 1 x 230 V Current in speed 1: 1.3 A Current in speed 2: 1.5 A Current in speed 3: 1.52 A Capacitor size - run: 9.5 μ F Enclosure class (IEC 34-5): X4D Insulation class (IEC 85): H Others: Net weight: 6.4 kg Gross weight: 6.9 kg Shipping volume: 0.012 m ³

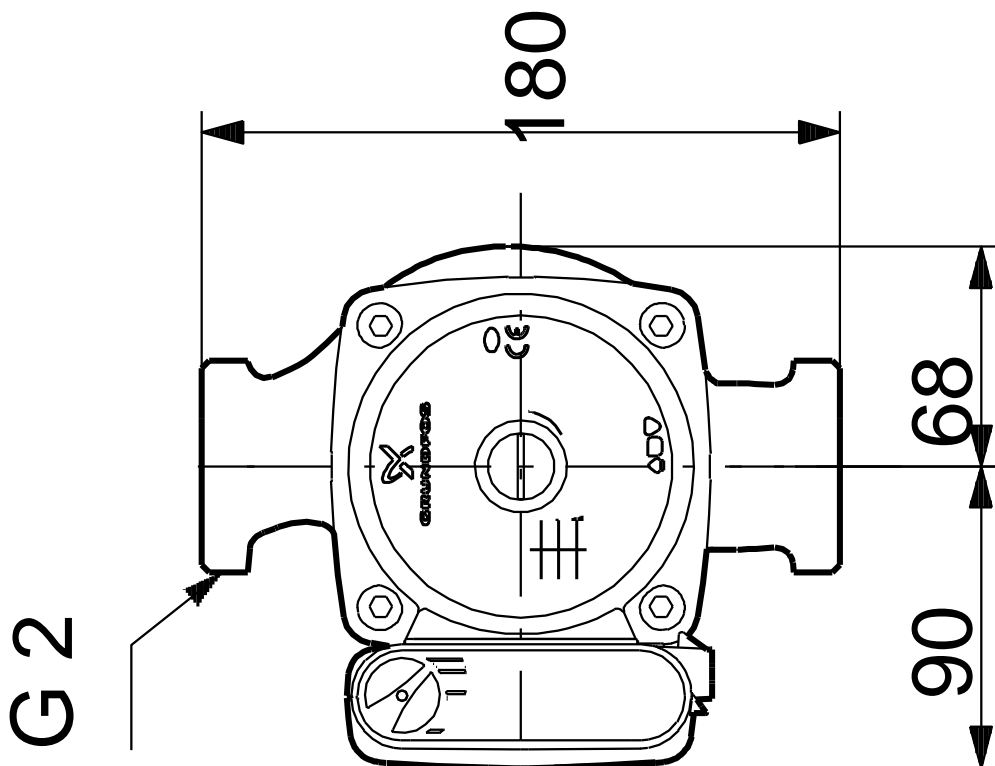
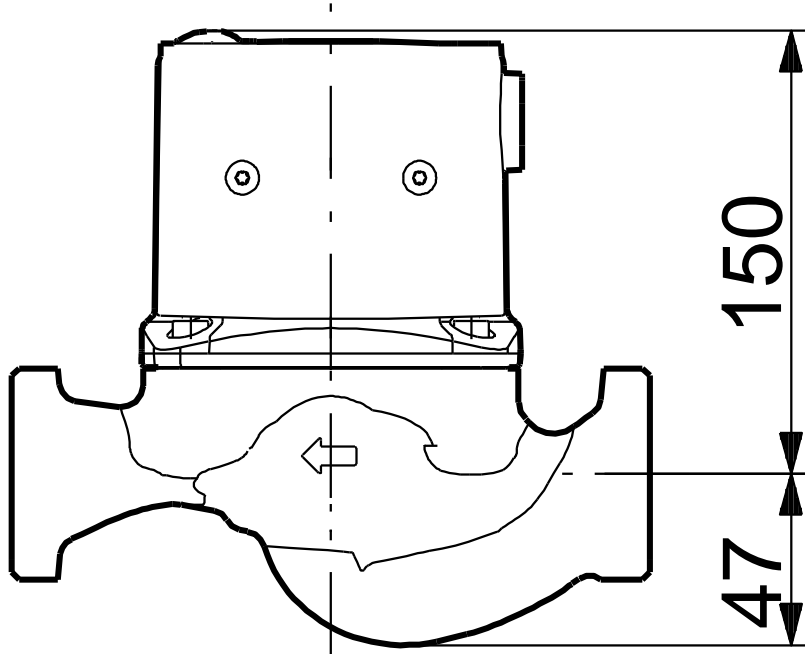
98057249 UPS 32-100 N 180 50 Hz



Description	Value
General information:	
Product name:	UPS 32-100 N 180
Product No:	98057249
EAN number:	5710628240966
Price:	On request
Technical:	
Speed no:	3
Head max:	100 dm
TF class:	110
Materials:	
Pump housing:	Stainless steel
	DIN W.-Nr. 1.4301
Impeller:	Composite, PES/PP
Installation:	
Amb. max at 80 dgr C liquid:	40 °C
Maximum operating pressure:	10 bar
Pipe connection:	G 2
Pressure stage:	PN 10
Port-to-port length:	180 mm
Liquid:	
Pumped liquid:	Water
Liquid temperature range:	-25 .. 110 °C
Liquid temp:	60 °C
Density:	983.2 kg/m ³
Electrical data:	
C run:	9.5 µF
Power input in speed 1:	280 W
Power input in speed 2:	340 W
Max. power input:	345 W
Mains frequency:	50 Hz
Rated voltage:	1 x 230 V
Current in speed 1:	1.3 A
Current in speed 2:	1.5 A
Current in speed 3:	1.52 A
Capacitor size - run:	9.5 µF
Enclosure class (IEC 34-5):	X4D
Insulation class (IEC 85):	H
Motor protec:	CONTACT
Thermal protec:	internal
Controls:	
Pos term box:	9H
Others:	
Net weight:	6.4 kg
Gross weight:	6.9 kg
Shipping volume:	0.012 m ³
Country code:	GB



98057249 UPS 32-100 N 180 50 Hz



Note! All units are in [mm] unless others are stated.
Disclaimer: This simplified dimensional drawing does not show all details.

98057249 UPS 32-100 N 180 50 Hz



Note! All units are in [mm] unless others are stated.