


Position	Qty.	Description
	1	<p>UP 20-45 N 150</p>  <p style="text-align: center;">Note! Product picture may differ from actual product</p> <p>Product No.: 98057222</p> <p>The pump is of the canned rotor type, i.e. pump and motor form an integral unit without shaft seal and with only two gaskets for sealing. The bearings are lubricated by the pumped liquid. The pump is characterized by:</p> <ul style="list-style-type: none"> * Ceramic shaft and radial bearings. * Carbon axial bearing. * Stainless steel rotor can and bearing plate. * Corrosion-resistant impeller, Composite, PES/PP. * Stainless steel pump housing. <p>The motor is a 1-phase motor. No additional motor protection is required.</p> <p>Liquid:</p> <p>Pumped liquid: Water Liquid temperature range: -25 .. 110 °C Liquid temp: 60 °C Density: 983.2 kg/m³</p> <p>Technical:</p> <p>TF class: 110</p> <p>Materials:</p> <p>Pump housing: Stainless steel DIN W.-Nr. 1.4301 AISI 304</p> <p>Impeller: Composite, PES/PP</p> <p>Installation:</p> <p>Amb. max at 80 dgr C liquid: 40 °C Maximum operating pressure: 10 bar Pipe connection: G 1 1/4 Pressure stage: PN 10 Port-to-port length: 150 mm</p> <p>Electrical data:</p> <p>C run: 2.5 µF Max. power input: 120 W Mains frequency: 50 Hz Rated voltage: 1 x 230 V Current in speed 3: 0.52 A Capacitor size - run: 2.5 µF</p>



Company name:

Created by:

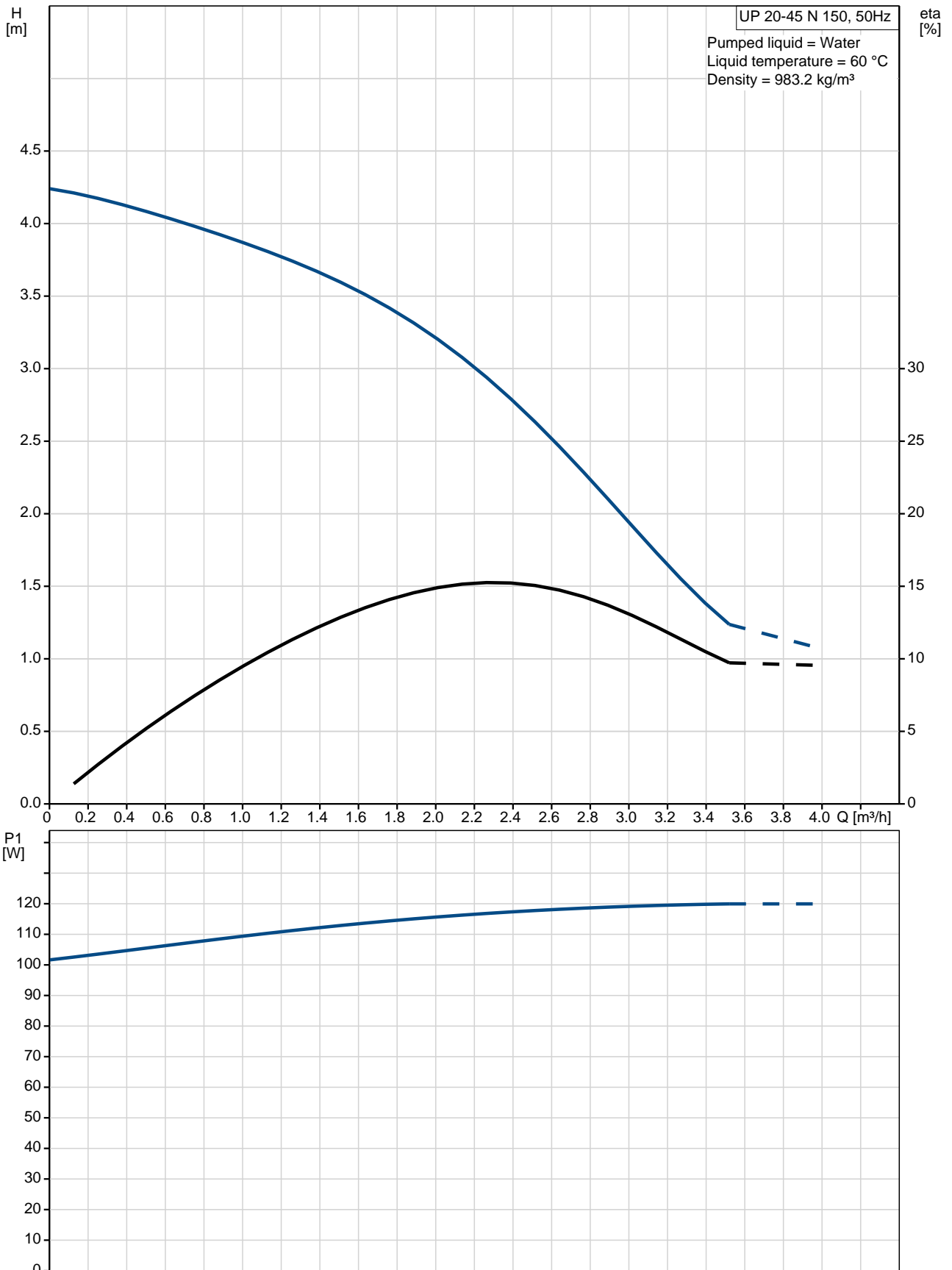
Phone:

Date:

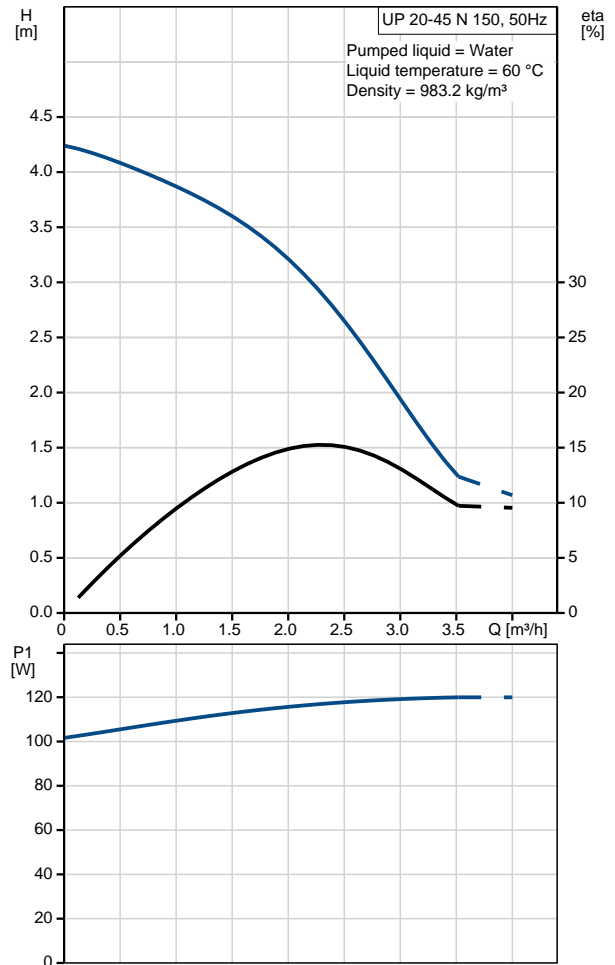
20/01/2017

Position	Qty.	Description
		Enclosure class (IEC 34-5): X2D Insulation class (IEC 85): F
		Others: Net weight: 3.6 kg Gross weight: 3.8 kg Shipping volume: 0.008 m ³

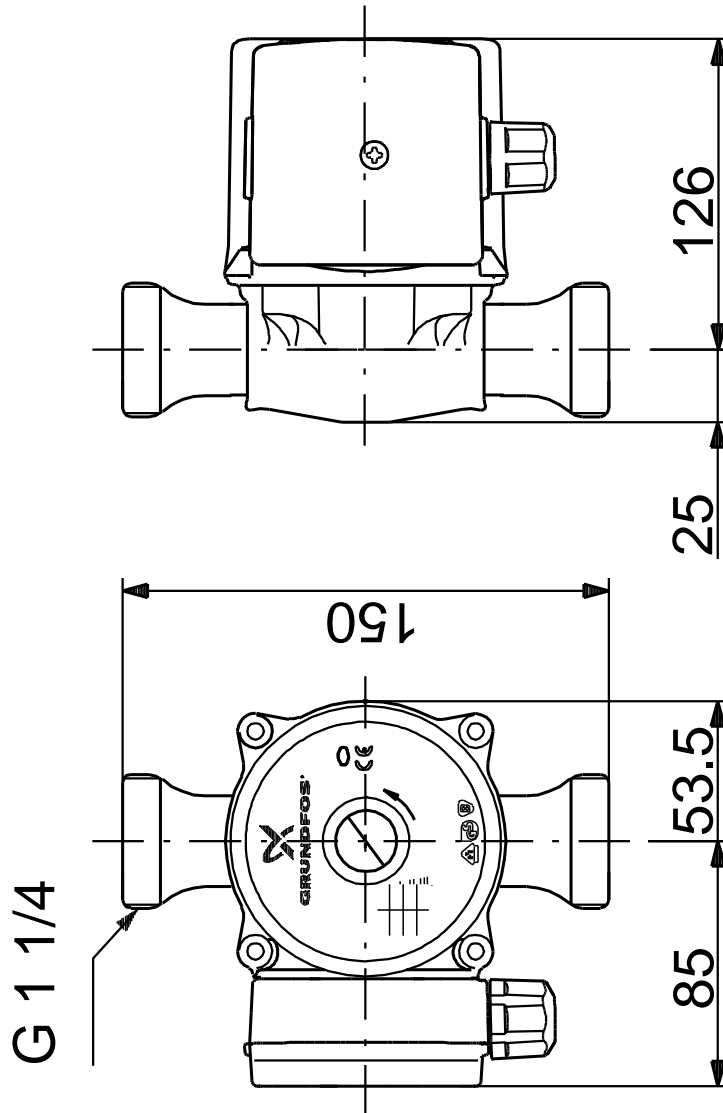
98057222 UP 20-45 N 150 50 Hz



Description	Value
General information:	
Product name:	UP 20-45 N 150
Product No:	98057222
EAN number:	5710628240157
Price:	On request
Technical:	
Speed no:	1
Head max:	45 dm
TF class:	110
Materials:	
Pump housing:	Stainless steel DIN W.-Nr. 1.4301 AISI 304
Impeller:	Composite, PES/PP
Installation:	
Amb. max at 80 dgr C liquid:	40 °C
Maximum operating pressure:	10 bar
Pipe connection:	G 1 1/4
Pressure stage:	PN 10
Port-to-port length:	150 mm
Liquid:	
Pumped liquid:	Water
Liquid temperature range:	-25 .. 110 °C
Liquid temp:	60 °C
Density:	983.2 kg/m ³
Electrical data:	
C run:	2.5 µF
Max. power input:	120 W
Mains frequency:	50 Hz
Rated voltage:	1 x 230 V
Current in speed 3:	0.52 A
Capacitor size - run:	2.5 µF
Enclosure class (IEC 34-5):	X2D
Insulation class (IEC 85):	F
Motor protec:	CONTACT
Thermal protec:	internal
Controls:	
Pos term box:	9H
Others:	
Net weight:	3.6 kg
Gross weight:	3.8 kg
Shipping volume:	0.008 m ³
Country code:	GB



98057222 UP 20-45 N 150 50 Hz



Note! All units are in [mm] unless others are stated.
Disclaimer: This simplified dimensional drawing does not show all details.

98057222 UP 20-45 N 150 50 Hz



Note! All units are in [mm] unless others are stated.