


Position	Qty.	Description
	1	<p>UP 20-15 N 150</p>  <p style="text-align: center;">Note! Product picture may differ from actual product</p> <p>Product No.: 98057205</p> <p>The pump is of the canned rotor type, i.e. pump and motor form an integral unit without shaft seal and with only two gaskets for sealing. The bearings are lubricated by the pumped liquid. The pump is characterized by:</p> <ul style="list-style-type: none"> * Ceramic shaft and radial bearings. * Carbon axial bearing. * Stainless steel rotor can and bearing plate. * Corrosion-resistant impeller, Composite, PES/PP. * Stainless steel pump housing. <p>The motor is a 1-phase motor. No additional motor protection is required.</p> <p>Liquid:</p> <p>Pumped liquid: Water Liquid temperature range: 2 .. 110 °C Liquid temp: 60 °C Density: 983.2 kg/m³</p> <p>Technical:</p> <p>TF class: 110 Approvals on nameplate: CE</p> <p>Materials:</p> <p>Pump housing: Stainless steel DIN W.-Nr. 1.4301 AISI 304 Impeller: Composite, PES/PP</p> <p>Installation:</p> <p>Amb. max at 80 dgr C liquid: 80 °C Maximum operating pressure: 10 bar Pipe connection: G 1 1/4 Pressure stage: PN 10 Port-to-port length: 150 mm</p> <p>Electrical data:</p> <p>C run: 2 µF Max. power input: 65 W Mains frequency: 50 Hz Rated voltage: 1 x 230 V Current in speed 3: 0.28 A</p>



Company name:

Created by:

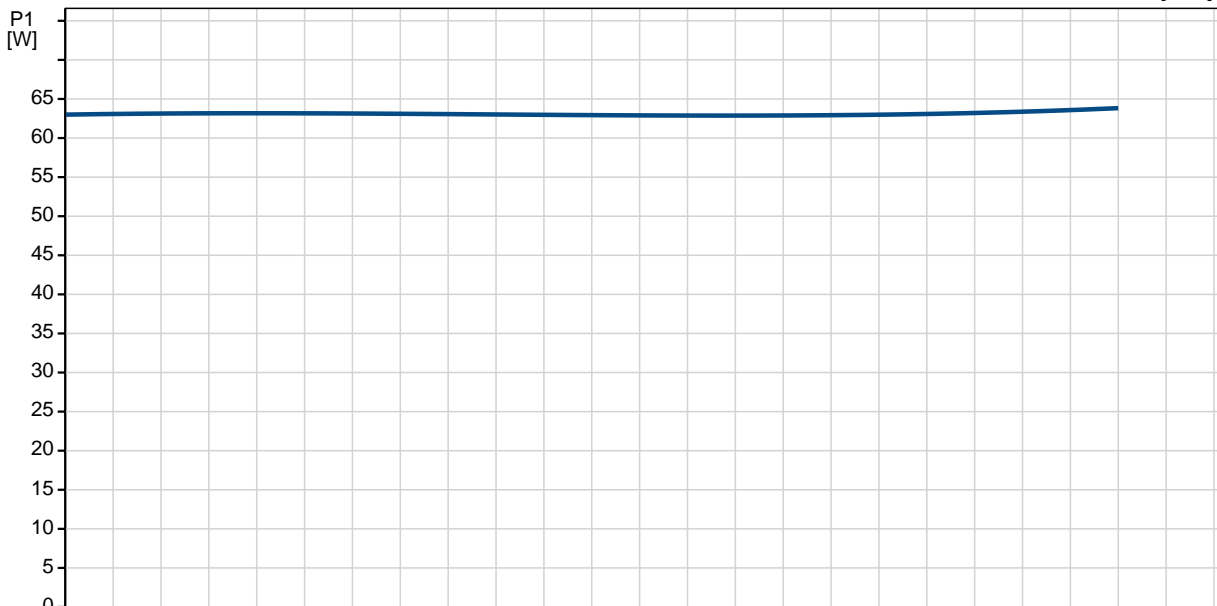
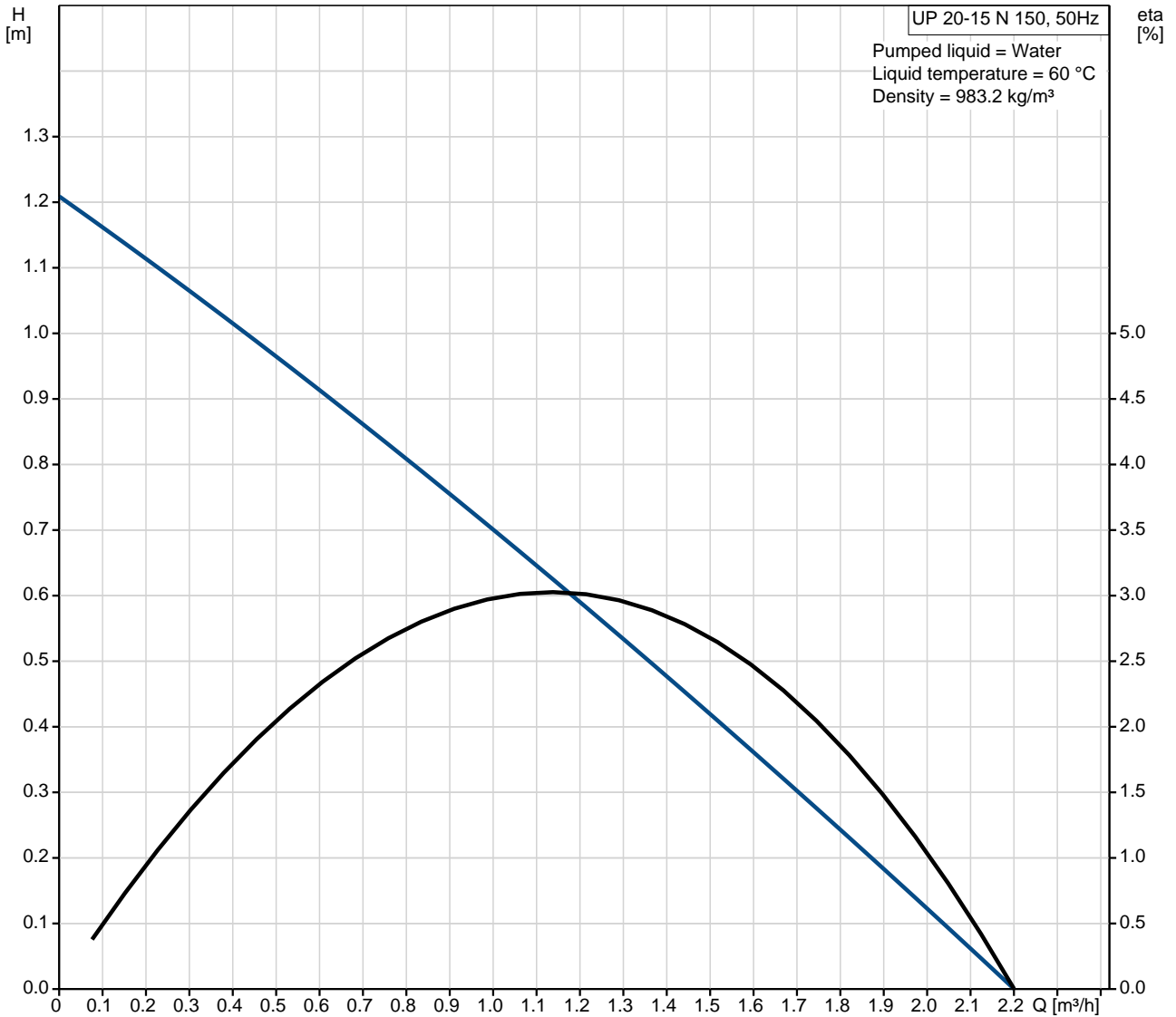
Phone:

Date:

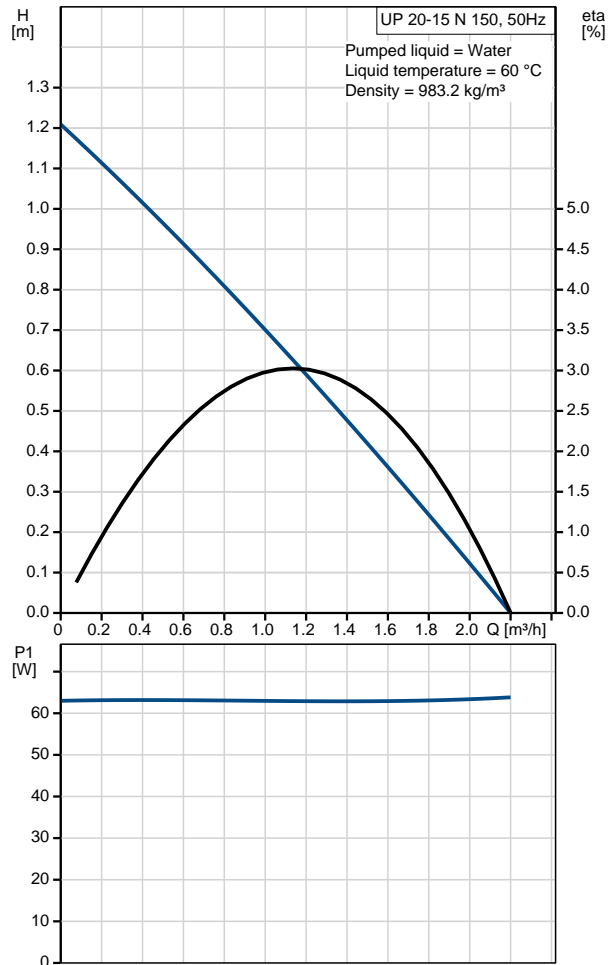
20/01/2017

Position	Qty.	Description
		Capacitor size - run: 2 μ F Enclosure class (IEC 34-5): IP44 Insulation class (IEC 85): F
		Others: Net weight: 2.1 kg Gross weight: 2.3 kg Shipping volume: 0.004 m ³

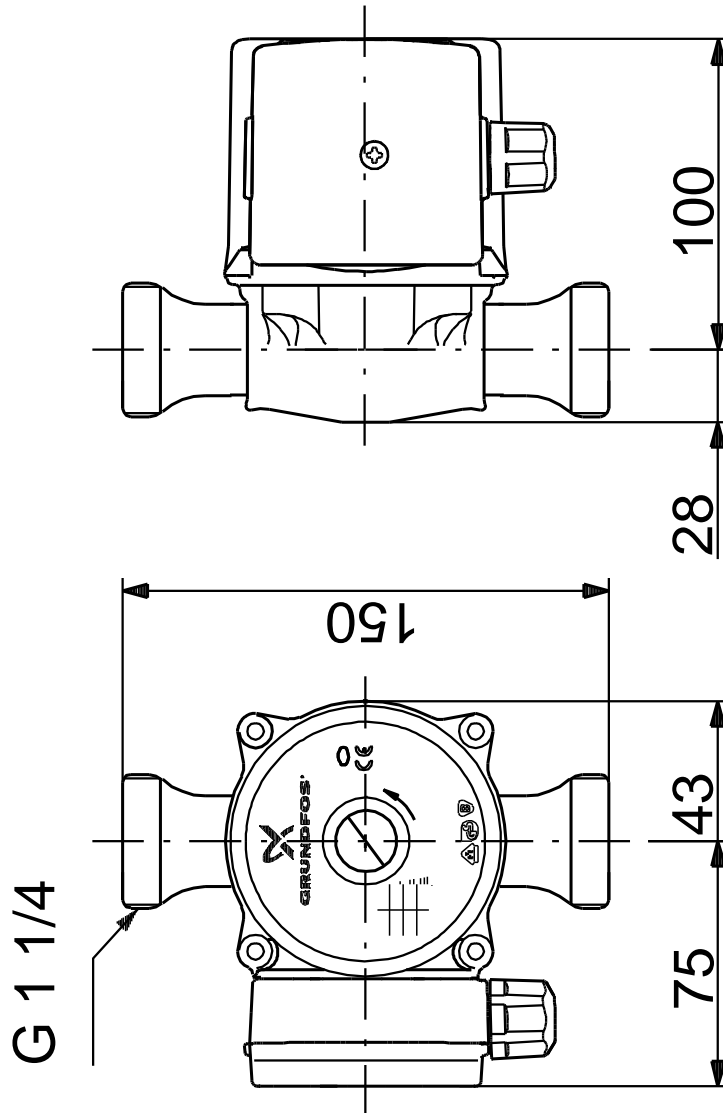
98057205 UP 20-15 N 150 50 Hz



Description	Value
General information:	
Product name:	UP 20-15 N 150
Product No:	98057205
EAN number:	5710628239694
Price:	On request
Technical:	
Speed no:	1
Head max:	15 dm
TF class:	110
Approvals on nameplate:	CE
Materials:	
Pump housing:	Stainless steel DIN W.-Nr. 1.4301 AISI 304
Impeller:	Composite, PES/PP
Installation:	
Amb. max at 80 dgr C liquid:	80 °C
Maximum operating pressure:	10 bar
Pipe connection:	G 1 1/4
Pressure stage:	PN 10
Port-to-port length:	150 mm
Liquid:	
Pumped liquid:	Water
Liquid temperature range:	2 .. 110 °C
Liquid temp:	60 °C
Density:	983.2 kg/m ³
Electrical data:	
C run:	2 µF
Max. power input:	65 W
Mains frequency:	50 Hz
Rated voltage:	1 x 230 V
Current in speed 3:	0.28 A
Capacitor size - run:	2 µF
Enclosure class (IEC 34-5):	IP44
Insulation class (IEC 85):	F
Motor protec:	NONE
Thermal protec:	Impedance protected
Controls:	
Pos term box:	9H
Others:	
Net weight:	2.1 kg
Gross weight:	2.3 kg
Shipping volume:	0.004 m ³
Country code:	GB



98057205 UP 20-15 N 150 50 Hz



Note! All units are in [mm] unless others are stated.
Disclaimer: This simplified dimensional drawing does not show all details.

98057205 UP 20-15 N 150 50 Hz



Note! All units are in [mm] unless others are stated.