
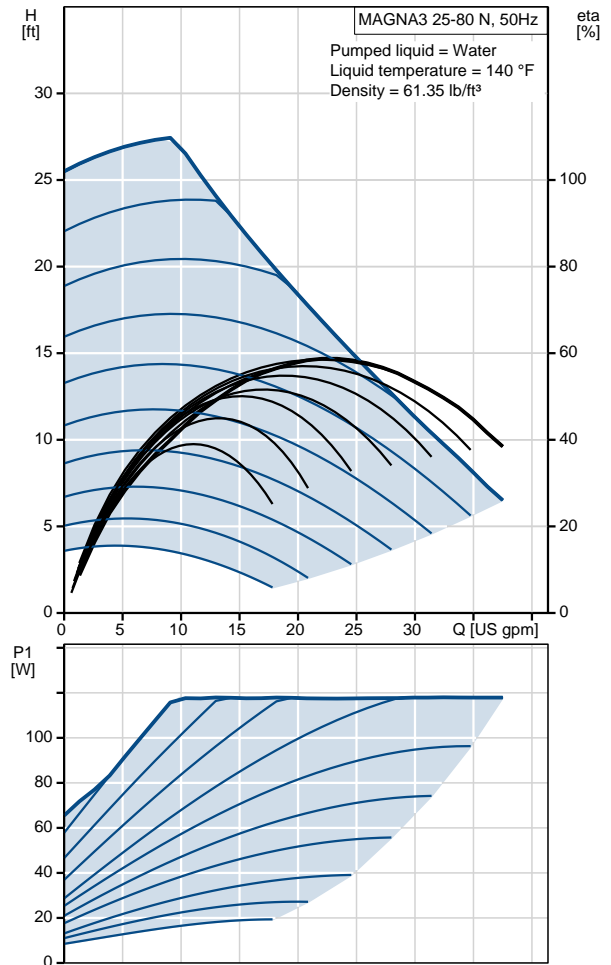


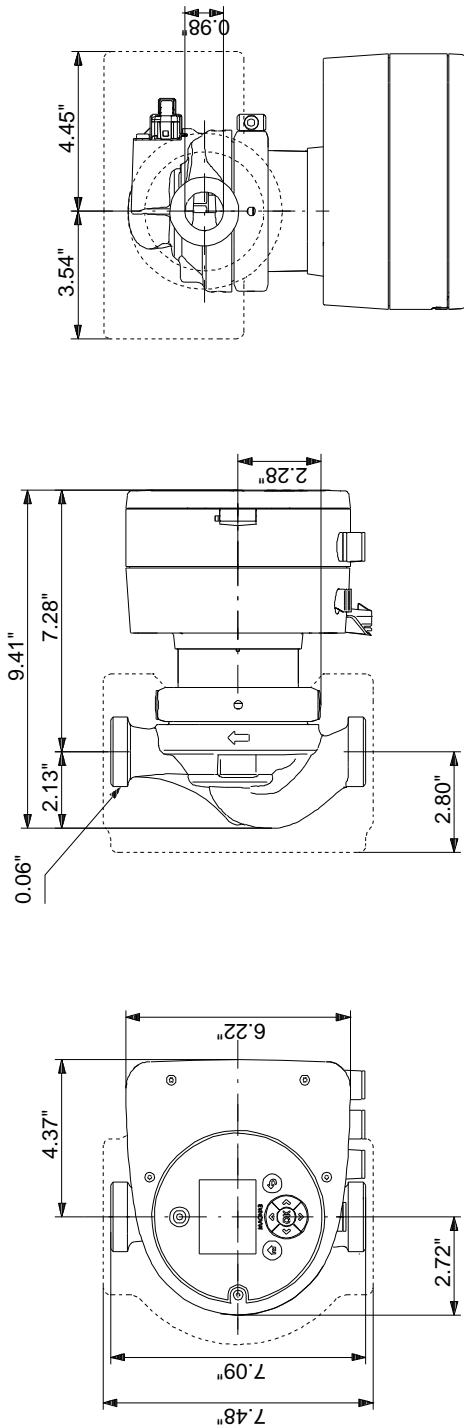
Position	Count	Description
	1	<p>MAGNA3 25-80 N</p>  <p style="text-align: center;">Product photo could vary from the actual product</p> <p>Product No.: 97924338</p> <p>MAGNA3 – More than a pump With its unrivalled efficiency, all-encompassing range and built-in communication capabilities plus functionalities replacing system components, the MAGNA3 is ideal for engineers and specifiers looking to create high-performance systems for buildings.</p> <p>This pump in the Grundfos Master Class will fit both heating and cooling applications perfectly, making it the obvious choice for almost any building project – old or new.</p> <p>The MAGNA3 is of the canned-rotor type, i.e. pump and motor form an integral unit without shaft seal and with only two gaskets for sealing. The bearings are lubricated by the pumped liquid.</p> <p>The innovative clamp with only one screw enables easy repositioning of the pump head.</p> <p>The MAGNA3 is a pump with no maintenance requirements and with extremely low Life Cycle Cost.</p> <p>The pump is characterised by the following:</p> <ul style="list-style-type: none"> • controller integrated in the control box • control panel with TFT display on the control box • control box prepared for optional CIM modules • built-in differential-pressure and temperature sensor • cast-iron pump housing (depending on model) • carbon-fiber-reinforced composite rotor can • stainless-steel bearing plate and rotor cladding • aluminium alloy stator housing • air-cooled power electronics <p>The MAGNA3 is a single-phase pump.</p> <p>Characteristic features</p> <ul style="list-style-type: none"> • AUTOADAPT. • FLOWADAPT and FLOWLIMIT (more than a pump function as it reduces the need for pump throttling valves). • Proportional-pressure control. • Constant-pressure control. • Constant-temperature control. • Constant-curve duty. • Max. or min. curve duty. • Automatic Night Setback. • No external motor protection required. • Insulating shells supplied with single-head pumps for heating systems. • Large temperature range where the liquid temperature and the ambient temperature are independent of each other. <p>Communication The MAGNA3 enables communication via the following:</p> <ul style="list-style-type: none"> • wireless Grundfos GO Remote • fieldbus communication via CIM modules • digital inputs

Position	Count	Description
		<ul style="list-style-type: none"> • relay outputs • analog input (more than a pump function as heat energy meter) <p>Motor and electronic controller</p> <p>The MAGNA3 incorporates a 4-pole synchronous, permanent-magnet motor (PM motor). This motor type is characterised by higher efficiency than a conventional asynchronous squirrel-cage motor.</p> <p>The pump speed is controlled by an integrated frequency converter.</p> <p>A differential-pressure and temperature sensor is incorporated in the pump.</p> <p>Liquid:</p> <p>Pumped liquid: Water</p> <p>Liquid temperature range: 14 .. 230 °F</p> <p>Liquid temp: 140 °F</p> <p>Density: 61.35 lb/ft³</p> <p>Technical:</p> <p>TF class: 110</p> <p>Approvals on nameplate: CE,VDE,EAC</p> <p>Materials:</p> <p>Pump housing: Stainless steel EN 1.4308 ASTM 351 CF8</p> <p>Impeller: PES 30%GF</p> <p>Installation:</p> <p>Range of ambient temperature: 32 .. 104 °F</p> <p>Maximum operating pressure: 145 psi</p> <p>Pipe connection: G 1 1/2"</p> <p>Pressure stage: PN10</p> <p>Port-to-port length: 7 1/8 in</p> <p>Electrical data:</p> <p>Power input - P1: 9 .. 124 W</p> <p>Main frequency: 50 Hz</p> <p>Rated voltage: 1 x 230 V</p> <p>Maximum current consumption: 0.09 .. 1.02 A</p> <p>Enclosure class (IEC 34-5): X4D</p> <p>Insulation class (IEC 85): F</p> <p>Others:</p> <p>Label: Grundfos Blueflux</p> <p>Energy (EEI): 0.19</p> <p>Net weight: 10.6 lb</p> <p>Gross weight: 11.6 lb</p> <p>Shipping volume: 517 ft³</p>

Description	Value
General information:	
Product name:	MAGNA3 25-80 N
Product No.:	97924338
EAN:	5710626494149
Price:	On request
Technical:	
Head max:	26.25 ft
TF class:	110
Approvals on nameplate:	CE,VDE,EAC
Model:	C
Materials:	
Pump housing:	Stainless steel EN 1.4308
Impeller:	ASTM 351 CF8 PES 30%GF
Installation:	
Range of ambient temperature:	32 .. 104 °F
Maximum operating pressure:	145 psi
Pipe connection:	G 1 1/2"
Pressure stage:	PN10
Port-to-port length:	7 1/8 in
Liquid:	
Pumped liquid:	Water
Liquid temperature range:	14 .. 230 °F
Liquid temp:	140 °F
Density:	61.35 lb/ft³
Electrical data:	
Power input - P1:	9 .. 124 W
Main frequency:	50 Hz
Rated voltage:	1 x 230 V
Maximum current consumption:	0.09 .. 1.02 A
Enclosure class (IEC 34-5):	X4D
Insulation class (IEC 85):	F
Others:	
Label:	Grundfos Blueflux
Energy (EEI):	0.19
Net weight:	10.6 lb
Gross weight:	11.6 lb
Shipping volume:	517 ft³

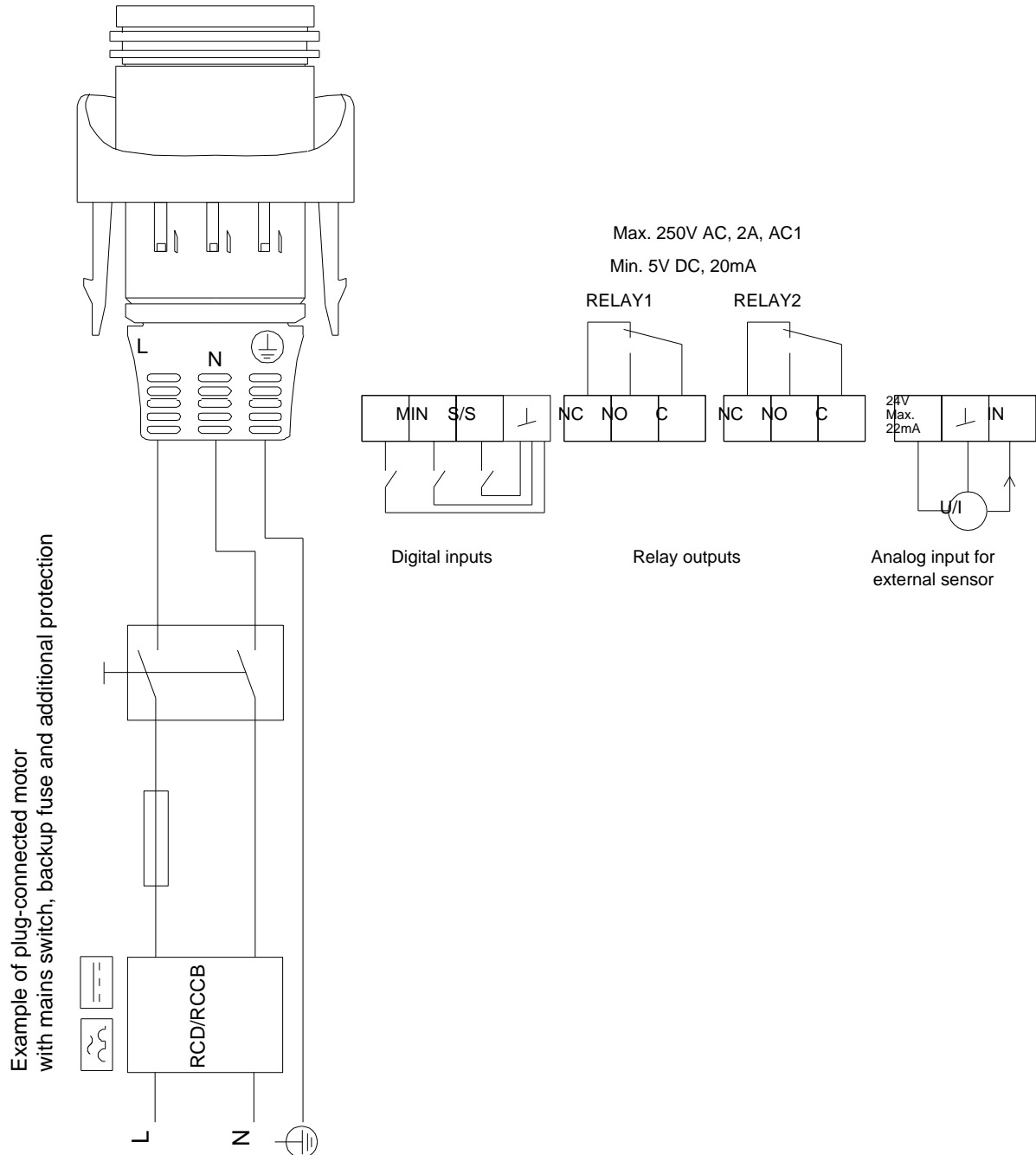


97924338 MAGNA3 25-80 N 50 Hz



Note! All units are in [mm] unless otherwise stated.
Disclaimer: This simplified dimensional drawing does not show all details.

97924338 MAGNA3 25-80 N 50 Hz



Example of plug-connected motor with mains switch, backup fuse and additional protection

All units are [mm] unless otherwise presented.