
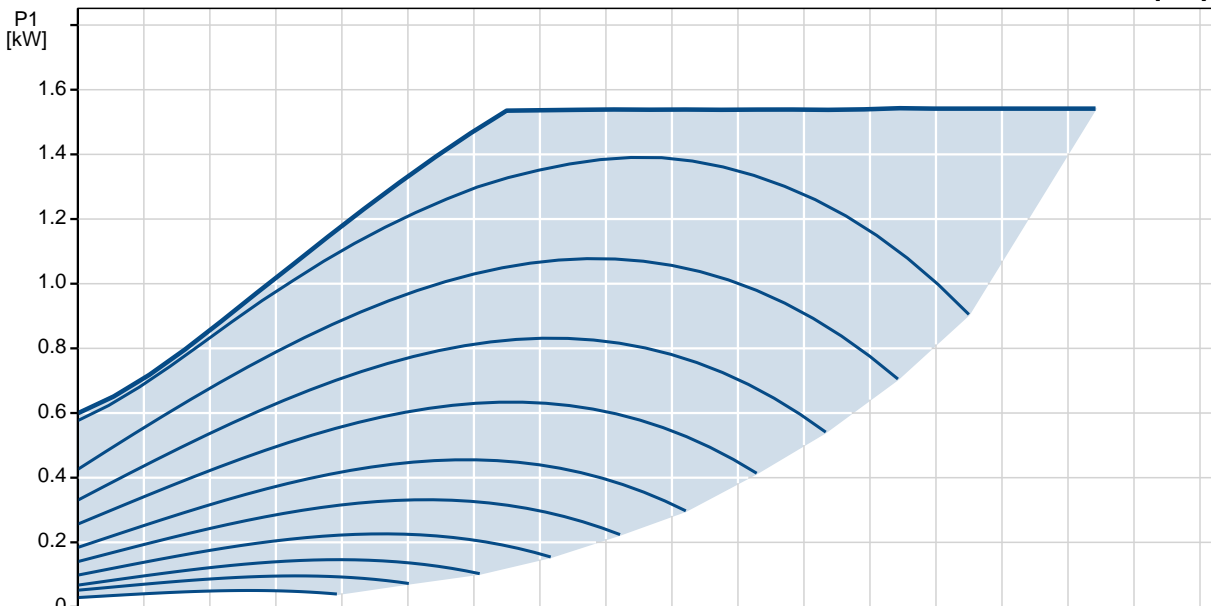
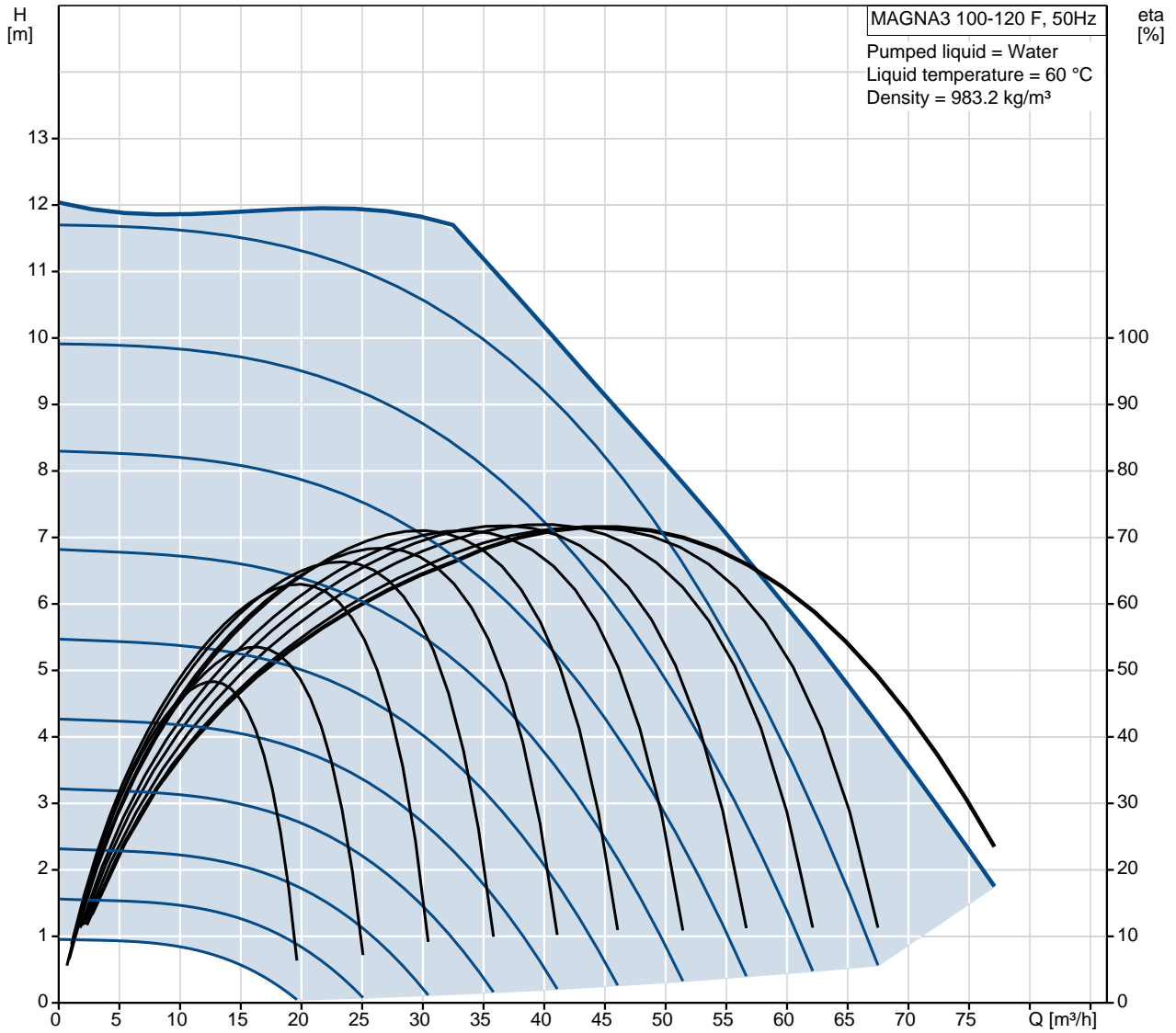
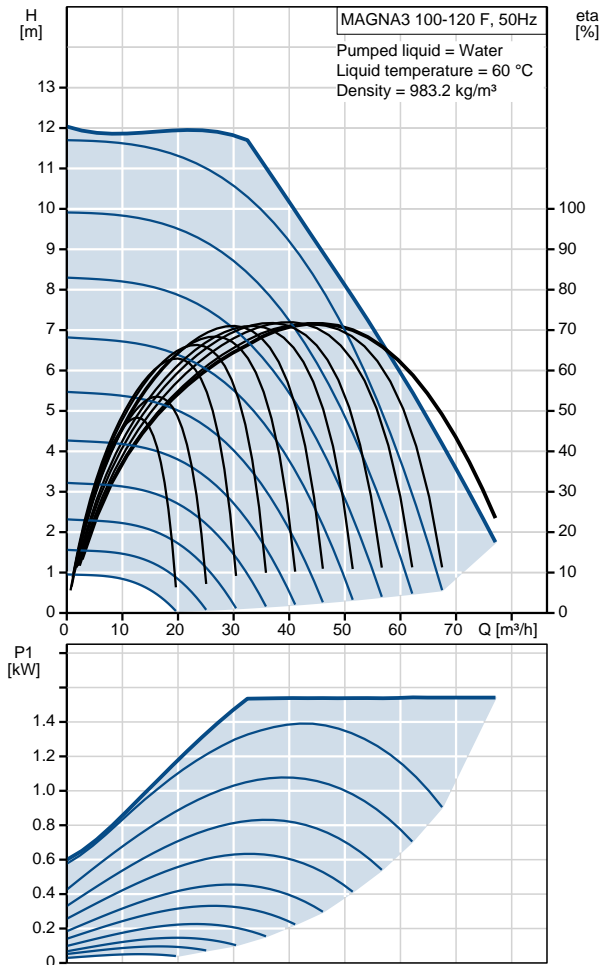


Position	Qty.	Description
	1	<p data-bbox="320 338 549 365">MAGNA3 100-120 F</p> <div data-bbox="352 398 667 730" style="text-align: center;">  </div> <p data-bbox="711 730 1193 752" style="text-align: center;">Note! Product picture may differ from actual product</p> <p data-bbox="320 763 584 786">Product No.: 97924315</p> <p data-bbox="320 819 655 846">MAGNA3 – More than a pump</p> <p data-bbox="320 853 1445 927">With its unrivalled efficiency, all-encompassing range and built-in communication capabilities plus functionalities replacing system components, the MAGNA3 is ideal for engineers and specifiers looking to create high-performance systems for buildings.</p> <p data-bbox="320 938 1445 987">This pump in the Grundfos Master Class will fit both heating and cooling applications perfectly, making it the obvious choice for almost any building project – old or new.</p> <p data-bbox="320 1025 1430 1075">The MAGNA3 is of the canned-rotor type, i.e. pump and motor form an integral unit without shaft seal and with only two gaskets for sealing. The bearings are lubricated by the pumped liquid.</p> <p data-bbox="320 1086 1286 1113">The innovative clamp with only one screw enables easy repositioning of the pump head.</p> <p data-bbox="320 1120 1414 1146">The MAGNA3 is a pump with no maintenance requirements and with extremely low Life Cycle Cost.</p> <p data-bbox="320 1176 799 1202">The pump is characterised by the following:</p> <ul data-bbox="320 1209 906 1464" style="list-style-type: none"> • controller integrated in the control box • control panel with TFT display on the control box • control box prepared for optional CIM modules • built-in differential-pressure and temperature sensor • cast-iron pump housing (depending on model) • carbon-fibre-reinforced composite rotor can • stainless-steel bearing plate and rotor cladding • aluminium alloy stator housing • air-cooled power electronics <p data-bbox="320 1471 743 1498">The MAGNA3 is a single-phase pump.</p> <p data-bbox="320 1532 568 1559">Characteristic features</p> <ul data-bbox="320 1565 1445 1933" style="list-style-type: none"> • AUTOADAPT. • FLOWADAPT and FLOWLIMIT (more than a pump function as it reduces the need for pump throttling valves). • Proportional-pressure control. • Constant-pressure control. • Constant-temperature control. • Constant-curve duty. • Max. or min. curve duty. • Automatic Night Setback. • No external motor protection required. • Insulating shells supplied with single-head pumps for heating systems. • Large temperature range where the liquid temperature and the ambient temperature are independent of each other. <p data-bbox="320 1973 491 2000">Communication</p> <p data-bbox="320 2007 932 2033">The MAGNA3 enables communication via the following:</p> <ul data-bbox="320 2040 788 2089" style="list-style-type: none"> • wireless Grundfos GO Remote • fieldbus communication via CIM modules

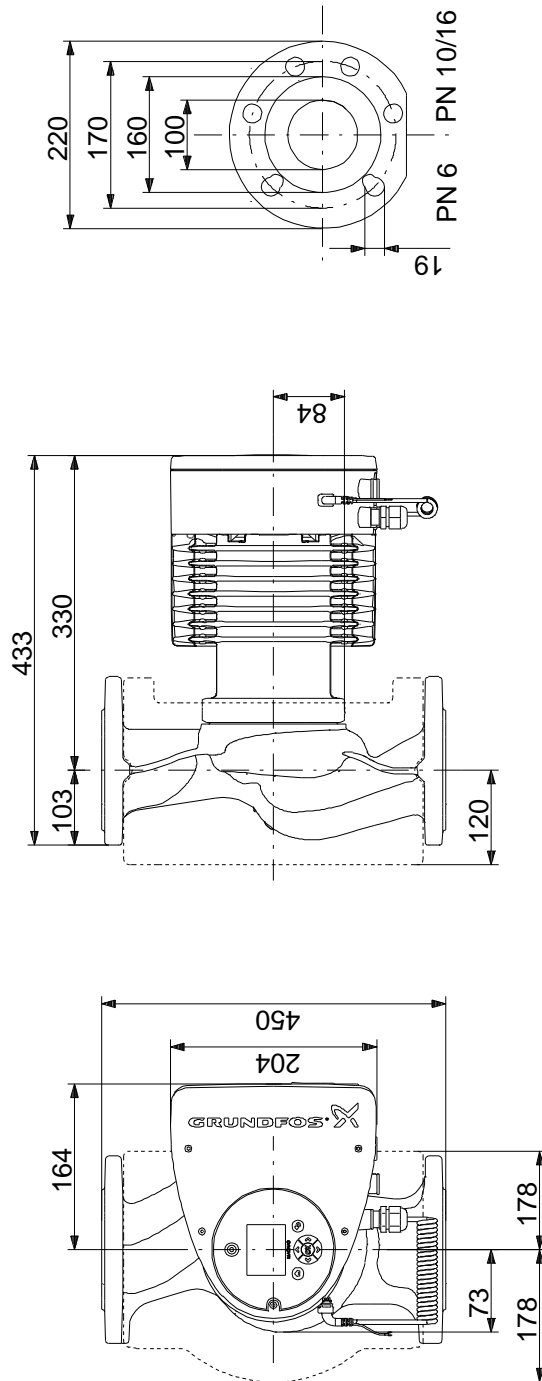
97924315 MAGNA3 100-120 F 50 Hz



Description	Value
General information:	
Product name:	MAGNA3 100-120 F
Product No:	97924315
EAN number:	5710626493906
Price:	On request
Technical:	
Head max:	120 dm
TF class:	110
Approvals on nameplate:	CE,VDE,EAC
Model:	C
Materials:	
Pump housing:	Cast iron EN-GJL-250 ASTM A48-250B
Impeller:	PES 30%GF
Installation:	
Range of ambient temperature:	0 .. 40 °C
Maximum operating pressure:	6 bar
Flange standard:	DIN
Pipe connection:	DN 100
Pressure stage:	PN6
Port-to-port length:	450 mm
Liquid:	
Pumped liquid:	Water
Liquid temperature range:	-10 .. 110 °C
Liquid temp:	60 °C
Density:	983.2 kg/m ³
Electrical data:	
Power input - P1:	31 .. 1576 W
Mains frequency:	50 Hz
Rated voltage:	1 x 230 V
Maximum current consumption:	0.32 .. 6.97 A
Enclosure class (IEC 34-5):	X4D
Insulation class (IEC 85):	F
Others:	
Label:	Grundfos Blueflux
Energy (EEI):	0.17
Net weight:	35.1 kg
Gross weight:	37.3 kg
Shipping volume:	98.5 m ³



97924315 MAGNA3 100-120 F 50 Hz



Note! All units are in [mm] unless others are stated.
Disclaimer: This simplified dimensional drawing does not show all details.