
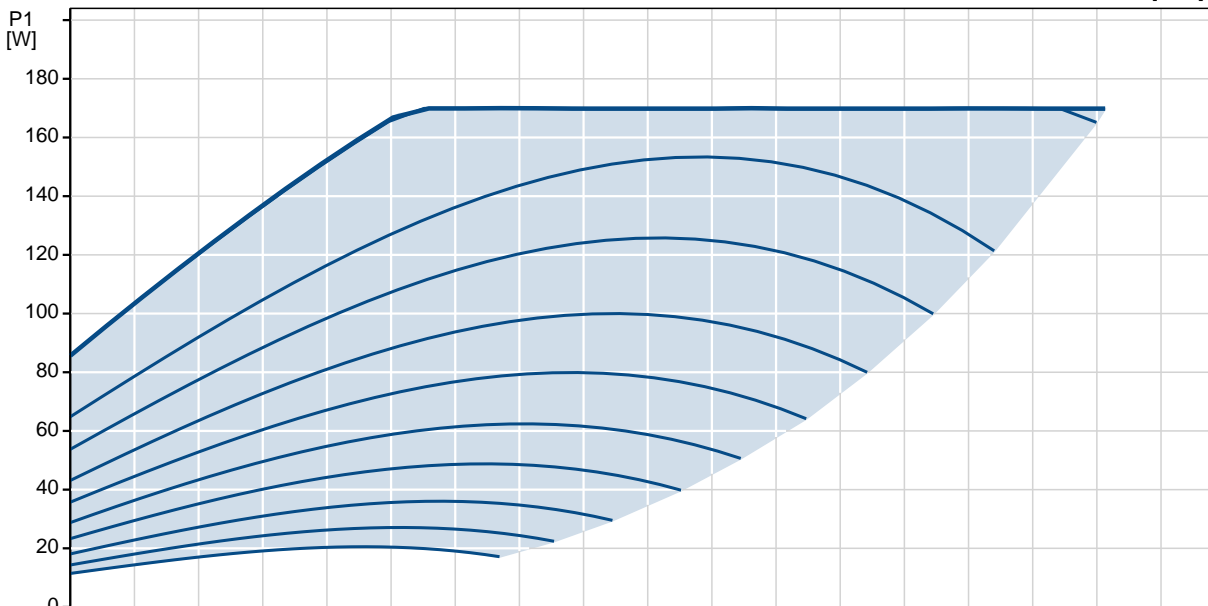
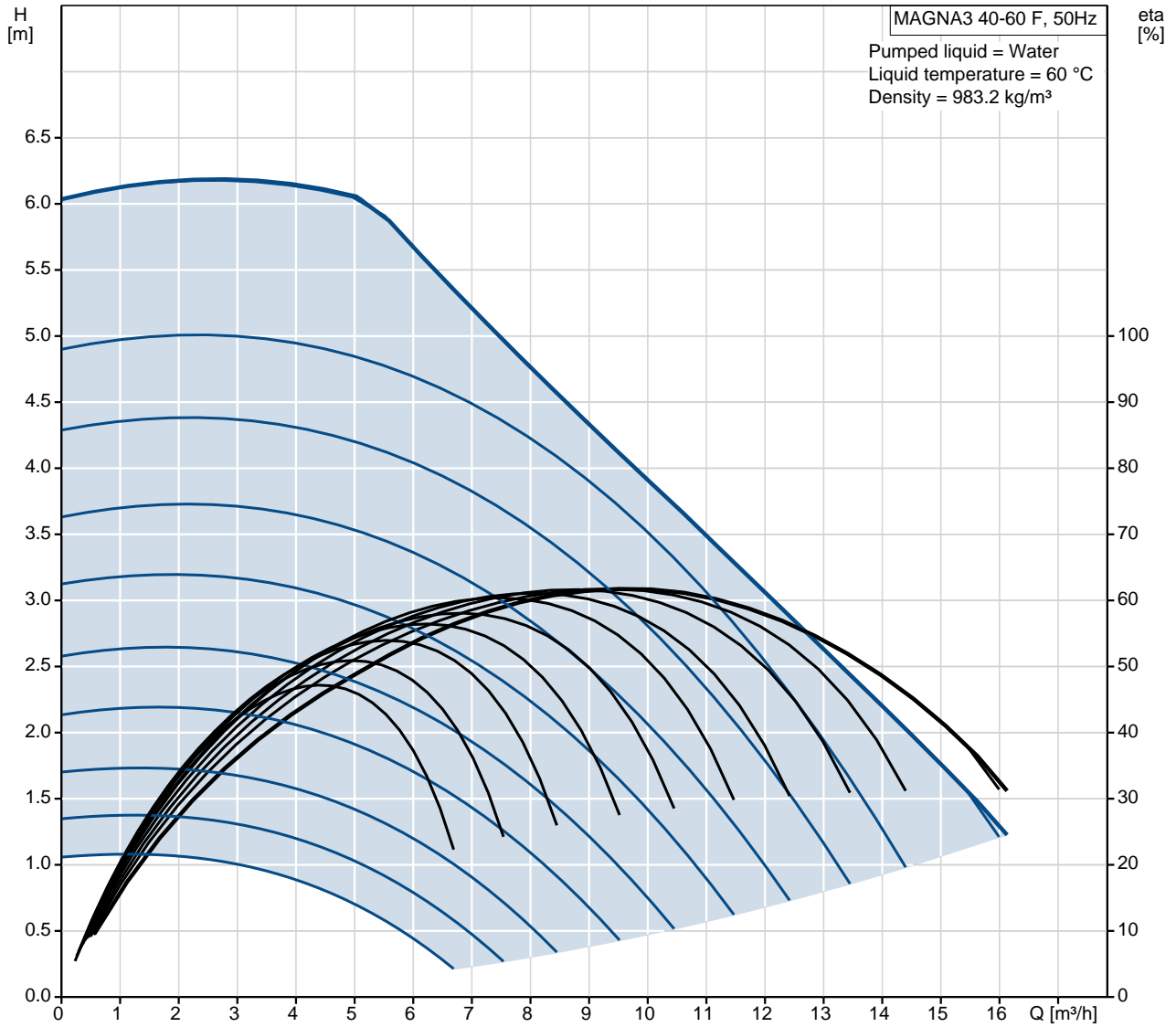


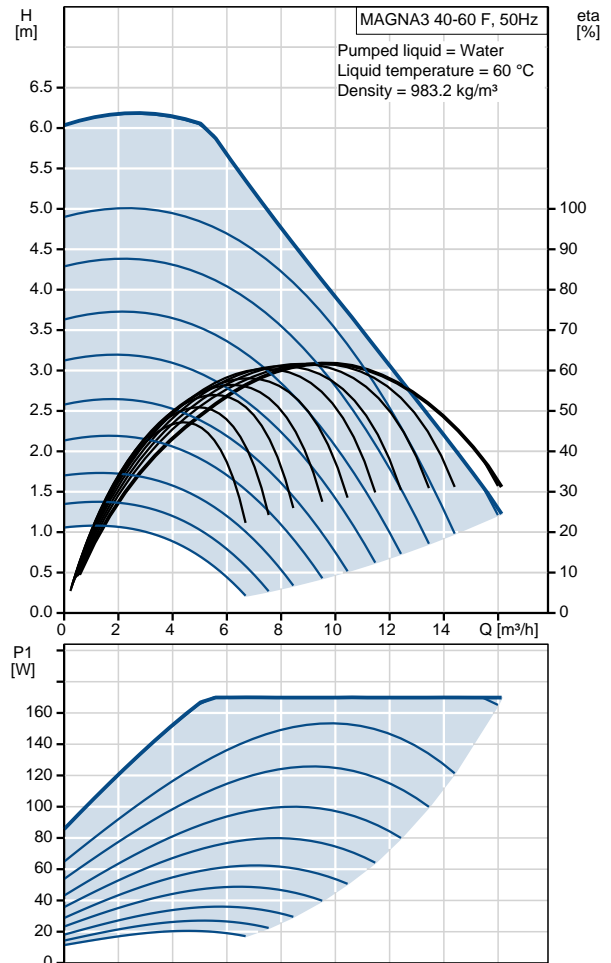
Position	Qty.	Description
	1	<p data-bbox="320 338 520 365">MAGNA3 40-60 F</p> <div data-bbox="352 398 667 730" style="text-align: center;">  </div> <p data-bbox="711 730 1193 752" style="text-align: center;">Note! Product picture may differ from actual product</p> <p data-bbox="320 763 584 786">Product No.: 97924267</p> <p data-bbox="320 819 655 842">MAGNA3 – More than a pump</p> <p data-bbox="320 853 1445 925">With its unrivalled efficiency, all-encompassing range and built-in communication capabilities plus functionalities replacing system components, the MAGNA3 is ideal for engineers and specifiers looking to create high-performance systems for buildings.</p> <p data-bbox="320 936 1445 985">This pump in the Grundfos Master Class will fit both heating and cooling applications perfectly, making it the obvious choice for almost any building project – old or new.</p> <p data-bbox="320 1025 1430 1075">The MAGNA3 is of the canned-rotor type, i.e. pump and motor form an integral unit without shaft seal and with only two gaskets for sealing. The bearings are lubricated by the pumped liquid.</p> <p data-bbox="320 1086 1286 1108">The innovative clamp with only one screw enables easy repositioning of the pump head.</p> <p data-bbox="320 1115 1414 1137">The MAGNA3 is a pump with no maintenance requirements and with extremely low Life Cycle Cost.</p> <p data-bbox="320 1171 799 1193">The pump is characterised by the following:</p> <ul data-bbox="320 1205 906 1462" style="list-style-type: none"> • controller integrated in the control box • control panel with TFT display on the control box • control box prepared for optional CIM modules • built-in differential-pressure and temperature sensor • cast-iron pump housing (depending on model) • carbon-fibre-reinforced composite rotor can • stainless-steel bearing plate and rotor cladding • aluminium alloy stator housing • air-cooled power electronics <p data-bbox="320 1473 743 1496">The MAGNA3 is a single-phase pump.</p> <p data-bbox="320 1529 568 1552">Characteristic features</p> <ul data-bbox="320 1563 1445 1933" style="list-style-type: none"> • AUTOADAPT. • FLOWADAPT and FLOWLIMIT (more than a pump function as it reduces the need for pump throttling valves). • Proportional-pressure control. • Constant-pressure control. • Constant-temperature control. • Constant-curve duty. • Max. or min. curve duty. • Automatic Night Setback. • No external motor protection required. • Insulating shells supplied with single-head pumps for heating systems. • Large temperature range where the liquid temperature and the ambient temperature are independent of each other. <p data-bbox="320 1977 488 2000">Communication</p> <p data-bbox="320 2011 935 2033">The MAGNA3 enables communication via the following:</p> <ul data-bbox="320 2045 791 2089" style="list-style-type: none"> • wireless Grundfos GO Remote • fieldbus communication via CIM modules

Position	Qty.	Description
		<ul style="list-style-type: none"> • digital inputs • relay outputs • analog input (more than a pump function as heat energy meter) <p>Motor and electronic controller The MAGNA3 incorporates a 4-pole synchronous, permanent-magnet motor (PM motor). This motor type is characterised by higher efficiency than a conventional asynchronous squirrel-cage motor. The pump speed is controlled by an integrated frequency converter. A differential-pressure and temperature sensor is incorporated in the pump.</p> <p>Liquid: Pumped liquid: Water Liquid temperature range: -10 .. 110 °C Liquid temp: 60 °C Density: 983.2 kg/m³</p> <p>Technical: TF class: 110 Approvals on nameplate: CE,VDE,EAC</p> <p>Materials: Pump housing: Cast iron EN-GJL-250 ASTM A48-250B Impeller: PES 30%GF</p> <p>Installation: Range of ambient temperature: 0 .. 40 °C Maximum operating pressure: 10 bar Flange standard: DIN Pipe connection: DN 40 Pressure stage: PN6/10 Port-to-port length: 220 mm</p> <p>Electrical data: Power input - P1: 12 .. 178 W Mains frequency: 50 Hz Rated voltage: 1 x 230 V Maximum current consumption: 0.11 .. 1.47 A Enclosure class (IEC 34-5): X4D Insulation class (IEC 85): F</p> <p>Others: Label: Grundfos Blueflux Energy (EEI): 0.19 Net weight: 9.92 kg Gross weight: 10.4 kg Shipping volume: 15.8 m³</p>

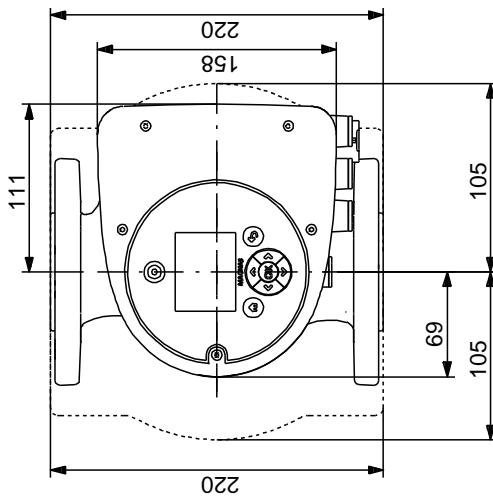
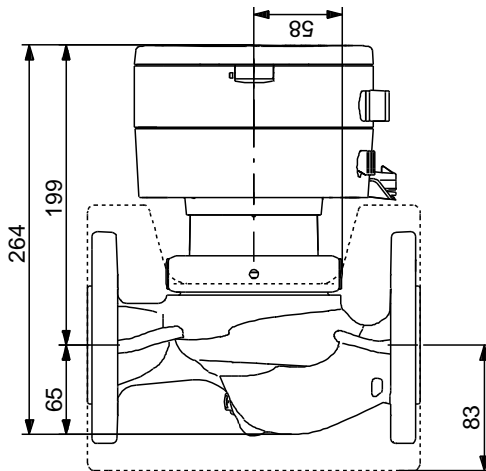
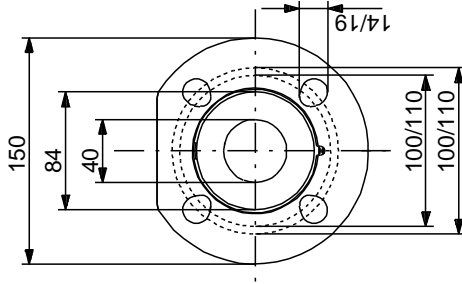
97924267 MAGNA3 40-60 F 50 Hz



Description	Value
General information:	
Product name:	MAGNA3 40-60 F
Product No:	97924267
EAN number:	5710626493425
Price:	On request
Technical:	
Head max:	60 dm
TF class:	110
Approvals on nameplate:	CE,VDE,EAC
Model:	C
Materials:	
Pump housing:	Cast iron EN-GJL-250
Impeller:	ASTM A48-250B PES 30%GF
Installation:	
Range of ambient temperature:	0 .. 40 °C
Maximum operating pressure:	10 bar
Flange standard:	DIN
Pipe connection:	DN 40
Pressure stage:	PN6/10
Port-to-port length:	220 mm
Liquid:	
Pumped liquid:	Water
Liquid temperature range:	-10 .. 110 °C
Liquid temp:	60 °C
Density:	983.2 kg/m ³
Electrical data:	
Power input - P1:	12 .. 178 W
Mains frequency:	50 Hz
Rated voltage:	1 x 230 V
Maximum current consumption:	0.11 .. 1.47 A
Enclosure class (IEC 34-5):	X4D
Insulation class (IEC 85):	F
Others:	
Label:	Grundfos Blueflux
Energy (EEI):	0.19
Net weight:	9.92 kg
Gross weight:	10.4 kg
Shipping volume:	15.8 m ³



97924267 MAGNA3 40-60 F 50 Hz



Note! All units are in [mm] unless others are stated.
Disclaimer: This simplified dimensional drawing does not show all details.