
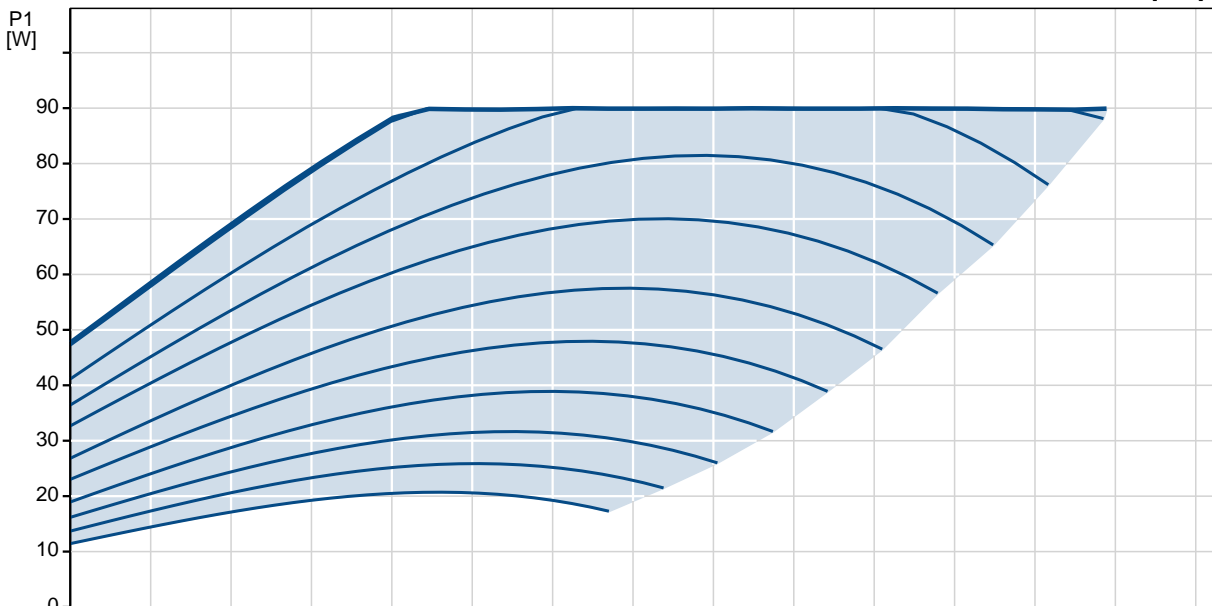
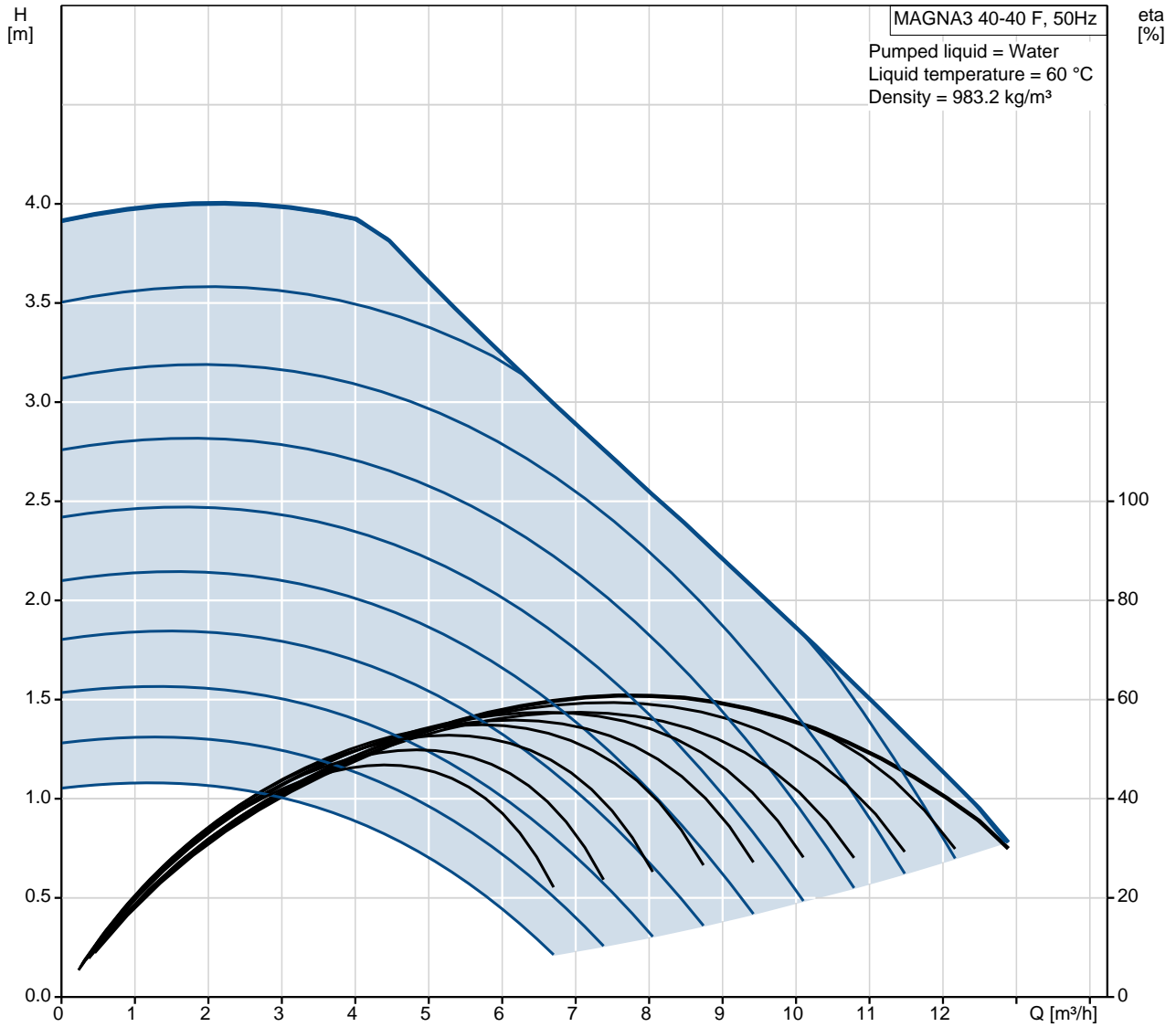


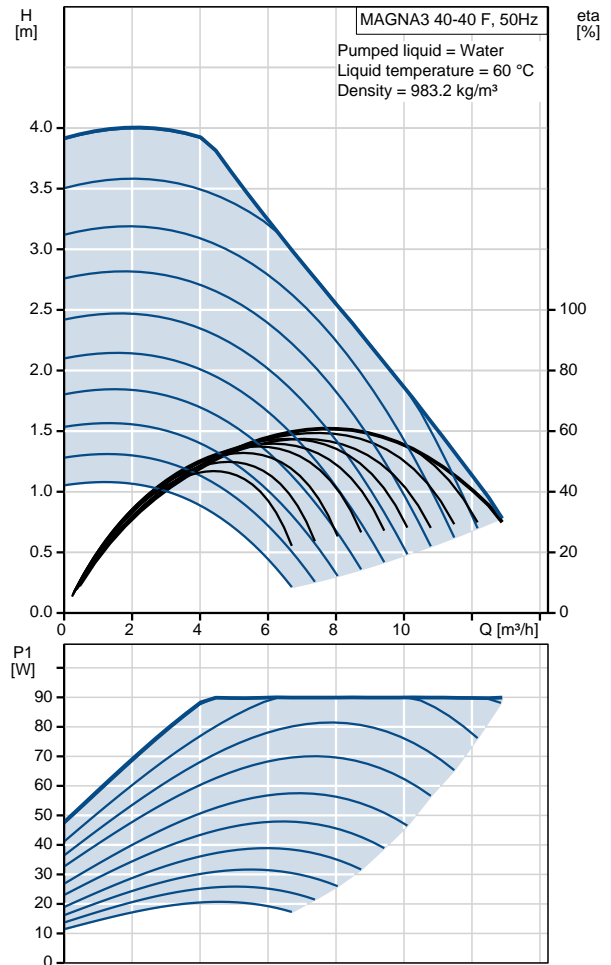
Position	Qty.	Description
	1	<p data-bbox="320 338 523 365"><b>MAGNA3 40-40 F</b></p> <div data-bbox="352 398 667 730" style="text-align: center;">  </div> <p data-bbox="711 730 1193 757" style="text-align: center;">Note! Product picture may differ from actual product</p> <p data-bbox="320 763 587 790">Product No.: <a href="#">97924266</a></p> <p data-bbox="320 819 655 846"><b>MAGNA3 – More than a pump</b></p> <p data-bbox="320 853 1449 927">With its unrivalled efficiency, all-encompassing range and built-in communication capabilities plus functionalities replacing system components, the MAGNA3 is ideal for engineers and specifiers looking to create high-performance systems for buildings.</p> <p data-bbox="320 936 1449 987">This pump in the Grundfos Master Class will fit both heating and cooling applications perfectly, making it the obvious choice for almost any building project – old or new.</p> <p data-bbox="320 1025 1433 1077">The MAGNA3 is of the canned-rotor type, i.e. pump and motor form an integral unit without shaft seal and with only two gaskets for sealing. The bearings are lubricated by the pumped liquid.</p> <p data-bbox="320 1086 1289 1113">The innovative clamp with only one screw enables easy repositioning of the pump head.</p> <p data-bbox="320 1122 1417 1149">The MAGNA3 is a pump with no maintenance requirements and with extremely low Life Cycle Cost.</p> <p data-bbox="320 1178 799 1205">The pump is characterised by the following:</p> <ul data-bbox="320 1211 906 1464" style="list-style-type: none"> <li>• controller integrated in the control box</li> <li>• control panel with TFT display on the control box</li> <li>• control box prepared for optional CIM modules</li> <li>• built-in differential-pressure and temperature sensor</li> <li>• cast-iron pump housing (depending on model)</li> <li>• carbon-fibre-reinforced composite rotor can</li> <li>• stainless-steel bearing plate and rotor cladding</li> <li>• aluminium alloy stator housing</li> <li>• air-cooled power electronics</li> </ul> <p data-bbox="320 1473 746 1500">The MAGNA3 is a single-phase pump.</p> <p data-bbox="320 1529 571 1556"><b>Characteristic features</b></p> <ul data-bbox="320 1563 1449 1935" style="list-style-type: none"> <li>• AUTOADAPT.</li> <li>• FLOWADAPT and FLOWLIMIT (more than a pump function as it reduces the need for pump throttling valves).</li> <li>• Proportional-pressure control.</li> <li>• Constant-pressure control.</li> <li>• Constant-temperature control.</li> <li>• Constant-curve duty.</li> <li>• Max. or min. curve duty.</li> <li>• Automatic Night Setback.</li> <li>• No external motor protection required.</li> <li>• Insulating shells supplied with single-head pumps for heating systems.</li> <li>• Large temperature range where the liquid temperature and the ambient temperature are independent of each other.</li> </ul> <p data-bbox="320 1973 496 2000"><b>Communication</b></p> <p data-bbox="320 2007 938 2033">The MAGNA3 enables communication via the following:</p> <ul data-bbox="320 2040 794 2092" style="list-style-type: none"> <li>• wireless Grundfos GO Remote</li> <li>• fieldbus communication via CIM modules</li> </ul>

Position	Qty.	Description
		<ul style="list-style-type: none"> <li>• digital inputs</li> <li>• relay outputs</li> <li>• analog input (more than a pump function as heat energy meter)</li> </ul> <p>Motor and electronic controller                      The MAGNA3 incorporates a 4-pole synchronous, permanent-magnet motor (PM motor). This motor type is characterised by higher efficiency than a conventional asynchronous squirrel-cage motor.                      The pump speed is controlled by an integrated frequency converter.                      A differential-pressure and temperature sensor is incorporated in the pump.</p> <p><b>Liquid:</b>                      Pumped liquid: Water                      Liquid temperature range: -10 .. 110 °C                      Liquid temp: 60 °C                      Density: 983.2 kg/m<sup>3</sup></p> <p><b>Technical:</b>                      TF class: 110                      Approvals on nameplate: CE, VDE, EAC</p> <p><b>Materials:</b>                      Pump housing: Cast iron                      EN-GJL-250                      ASTM A48-250B                      Impeller: PES 30%GF</p> <p><b>Installation:</b>                      Range of ambient temperature: 0 .. 40 °C                      Maximum operating pressure: 10 bar                      Flange standard: DIN                      Pipe connection: DN 40                      Pressure stage: PN6/10                      Port-to-port length: 220 mm</p> <p><b>Electrical data:</b>                      Power input - P1: 12 .. 97 W                      Mains frequency: 50 Hz                      Rated voltage: 1 x 230 V                      Maximum current consumption: 0.11 .. 0.8 A                      Enclosure class (IEC 34-5): X4D                      Insulation class (IEC 85): F</p> <p><b>Others:</b>                      Label: Grundfos Blueflux                      Energy (EEI): 0.19                      Net weight: 9.92 kg                      Gross weight: 10 kg                      Shipping volume: 15.8 m<sup>3</sup></p>

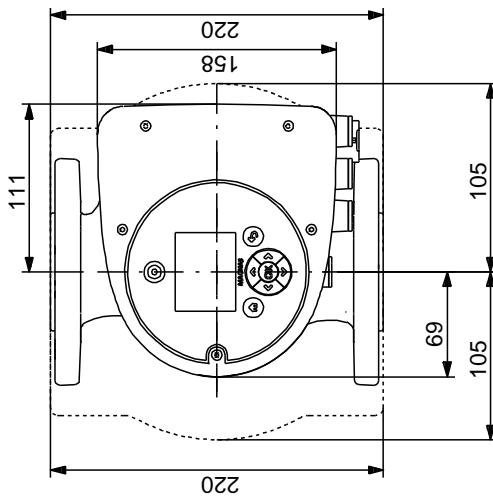
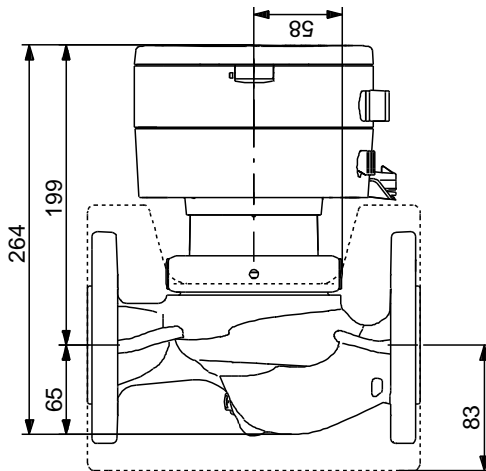
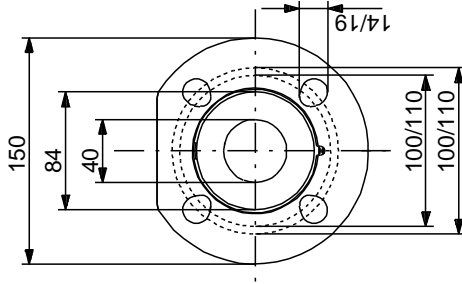
## 97924266 MAGNA3 40-40 F 50 Hz



Description	Value
<b>General information:</b>	
Product name:	MAGNA3 40-40 F
Product No:	97924266
EAN number:	5710626493418
Price:	On request
<b>Technical:</b>	
Head max:	40 dm
TF class:	110
Approvals on nameplate:	CE,VDE,EAC
Model:	C
<b>Materials:</b>	
Pump housing:	Cast iron EN-GJL-250 ASTM A48-250B
Impeller:	PES 30%GF
<b>Installation:</b>	
Range of ambient temperature:	0 .. 40 °C
Maximum operating pressure:	10 bar
Flange standard:	DIN
Pipe connection:	DN 40
Pressure stage:	PN6/10
Port-to-port length:	220 mm
<b>Liquid:</b>	
Pumped liquid:	Water
Liquid temperature range:	-10 .. 110 °C
Liquid temp:	60 °C
Density:	983.2 kg/m <sup>3</sup>
<b>Electrical data:</b>	
Power input - P1:	12 .. 97 W
Mains frequency:	50 Hz
Rated voltage:	1 x 230 V
Maximum current consumption:	0.11 .. 0.8 A
Enclosure class (IEC 34-5):	X4D
Insulation class (IEC 85):	F
<b>Others:</b>	
Label:	Grundfos Blueflux
Energy (EEI):	0.19
Net weight:	9.92 kg
Gross weight:	10 kg
Shipping volume:	15.8 m <sup>3</sup>



## 97924266 MAGNA3 40-40 F 50 Hz



Note! All units are in [mm] unless others are stated.  
Disclaimer: This simplified dimensional drawing does not show all details.