
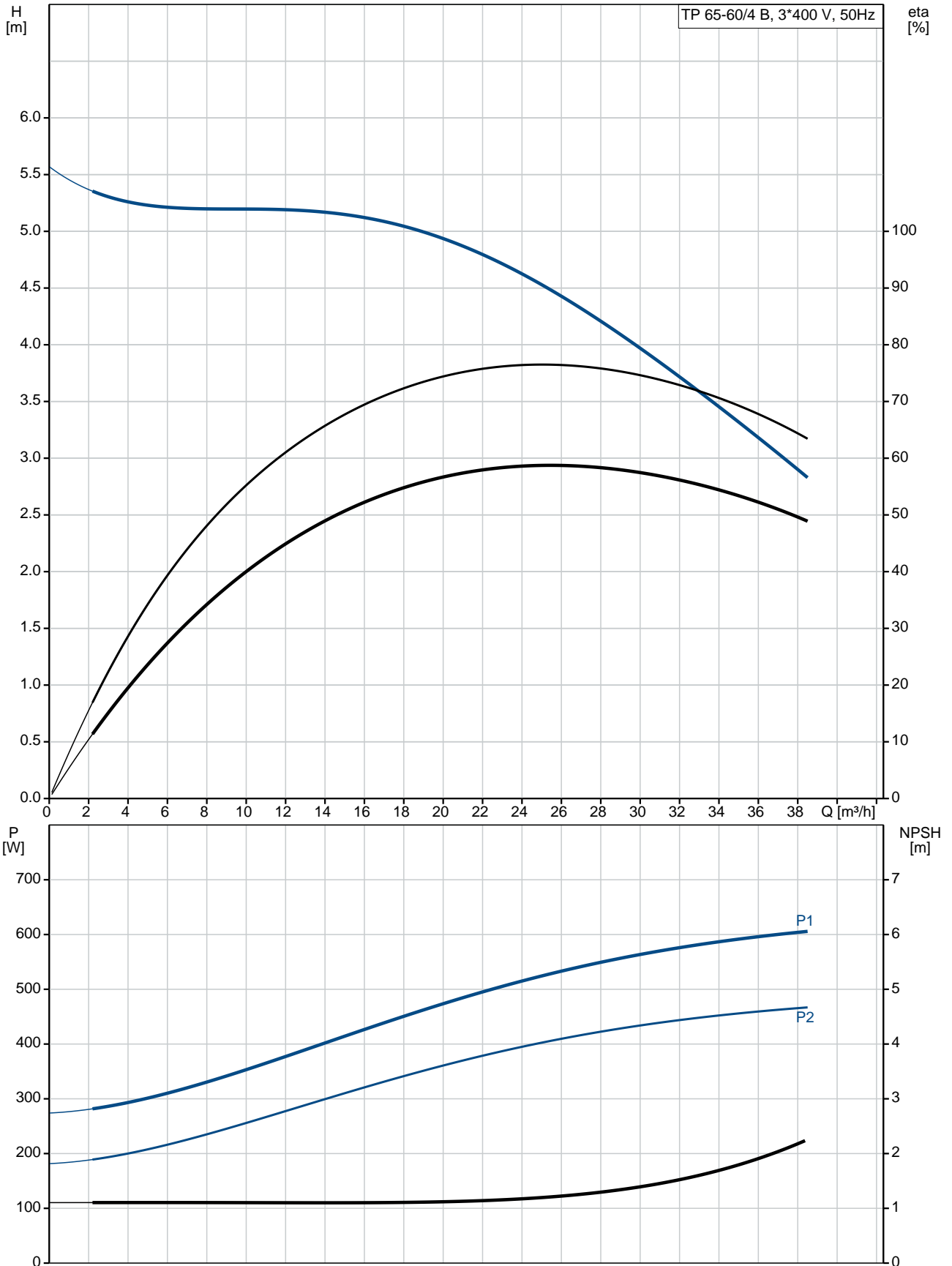


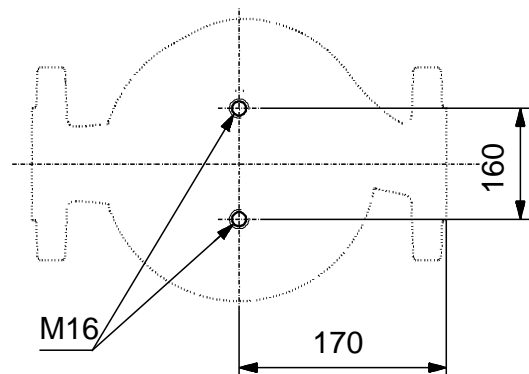
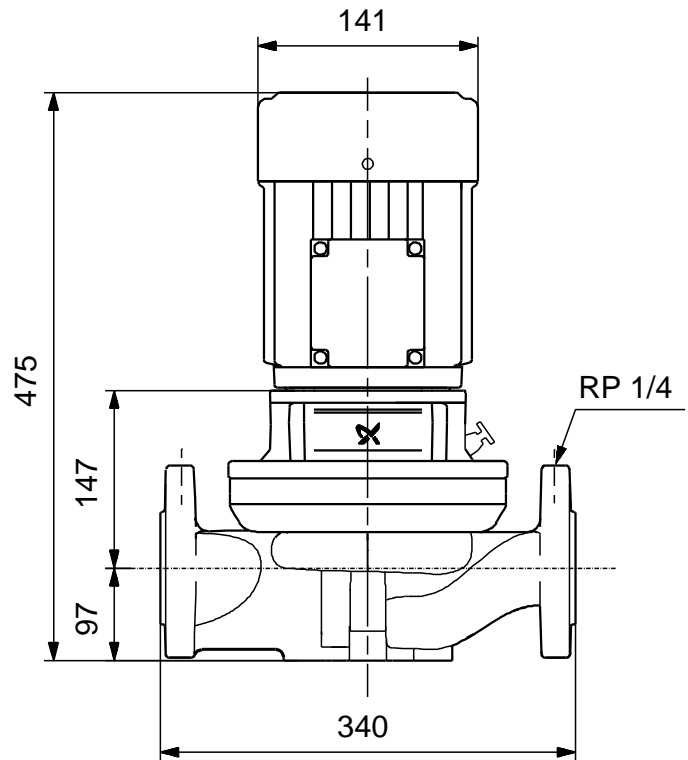
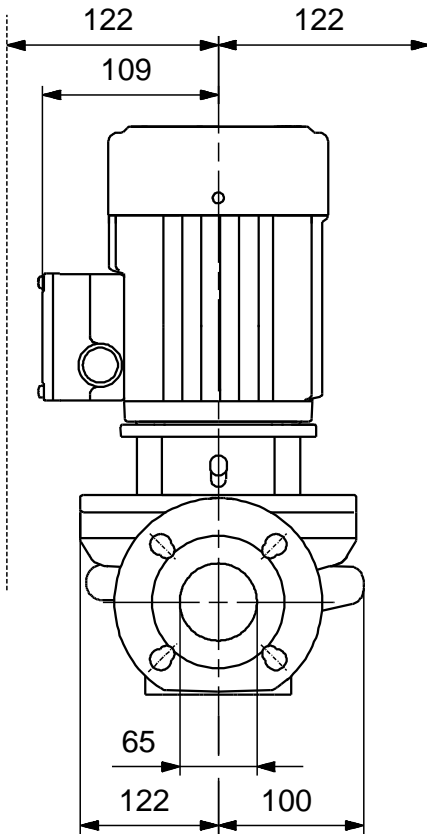
Position	Qty.	Description
	1	<p><b>TP 65-60/4 B A-F-Z-BQQE</b></p>  <p>Note! Product picture may differ from actual product</p> <p>Product No.: <a href="#">97897722</a></p> <p>Single-stage, close-coupled, volute pump with in-line suction and discharge ports of identical diameter. The pump is of the top-pull-out design, i.e. the power head (motor, pump head and impeller) can be removed for maintenance or service while the pump housing remains in the pipework.</p> <p>The pump is fitted with an unbalanced rubber bellows seal. The shaft seal is according to EN 12756. Pipework connection is via PN 6/10 DIN flanges (EN 1092-2 and ISO 7005-2).</p> <p>The pump is fitted with a fan-cooled asynchronous motor.</p> <p><b>Liquid:</b>  Pumped liquid: Water  Liquid temperature range: -25 .. 120 °C  Liquid temperature during operation: 20 °C  Density: 998.2 kg/m<sup>3</sup></p> <p><b>Technical:</b>  Speed for pump data: 1420 rpm  Rated flow: 25.1 m<sup>3</sup>/h  Rated head: 4.52 m  Primary shaft seal: BQQE  Curve tolerance: ISO9906:2012 3B</p> <p><b>Materials:</b>  Pump housing: Bronze  DIN W.-Nr. 2.1050  ASTM B505-C90700  Impeller: Stainless steel  DIN W.-Nr. 1.4301  AISI 304</p> <p><b>Installation:</b>  Range of ambient temperature: -30 .. 40 °C  Maximum operating pressure: 10 bar  Flange standard: DIN  Pipe connection: DN 65  Pressure stage: PN 6/10  Port-to-port length: 340 mm  Flange size for motor: FT100</p> <p><b>Electrical data:</b>  Motor type: 80A  IE Efficiency class: NA  Rated power - P2: 0.55 kW  Power (P2) required by pump: 0.55 kW  Mains frequency: 50 Hz  Rated voltage: 3 x 220-240D/380-415Y V</p>

Position	Qty.	Description
		<p>Rated current: 2,60/1,50 A</p> <p>Starting current: 430-470 %</p> <p>Cos phi - power factor: 0,79-0,70</p> <p>Rated speed: 1390-1410 rpm</p> <p>Efficiency: 70,0%</p> <p>Motor efficiency at full load: 70.0 %</p> <p>Motor efficiency at 3/4 load: 79 %</p> <p>Motor efficiency at 1/2 load: 78.1 %</p> <p>Number of poles: 4</p> <p>Enclosure class (IEC 34-5): 55 Dust/Jetting</p> <p>Insulation class (IEC 85): F</p> <p><b>Others:</b></p> <p>Minimum efficiency index, MEI : 0.70</p> <p>ErP status: EuP Standalone/Prod.</p> <p>Net weight: 39.4 kg</p> <p>Gross weight: 43 kg</p> <p>Shipping volume: 0.16 m<sup>3</sup></p> <p>Danish: VVS NO 38 1894.060</p>

## 97897722 TP 65-60/4 B 50 Hz

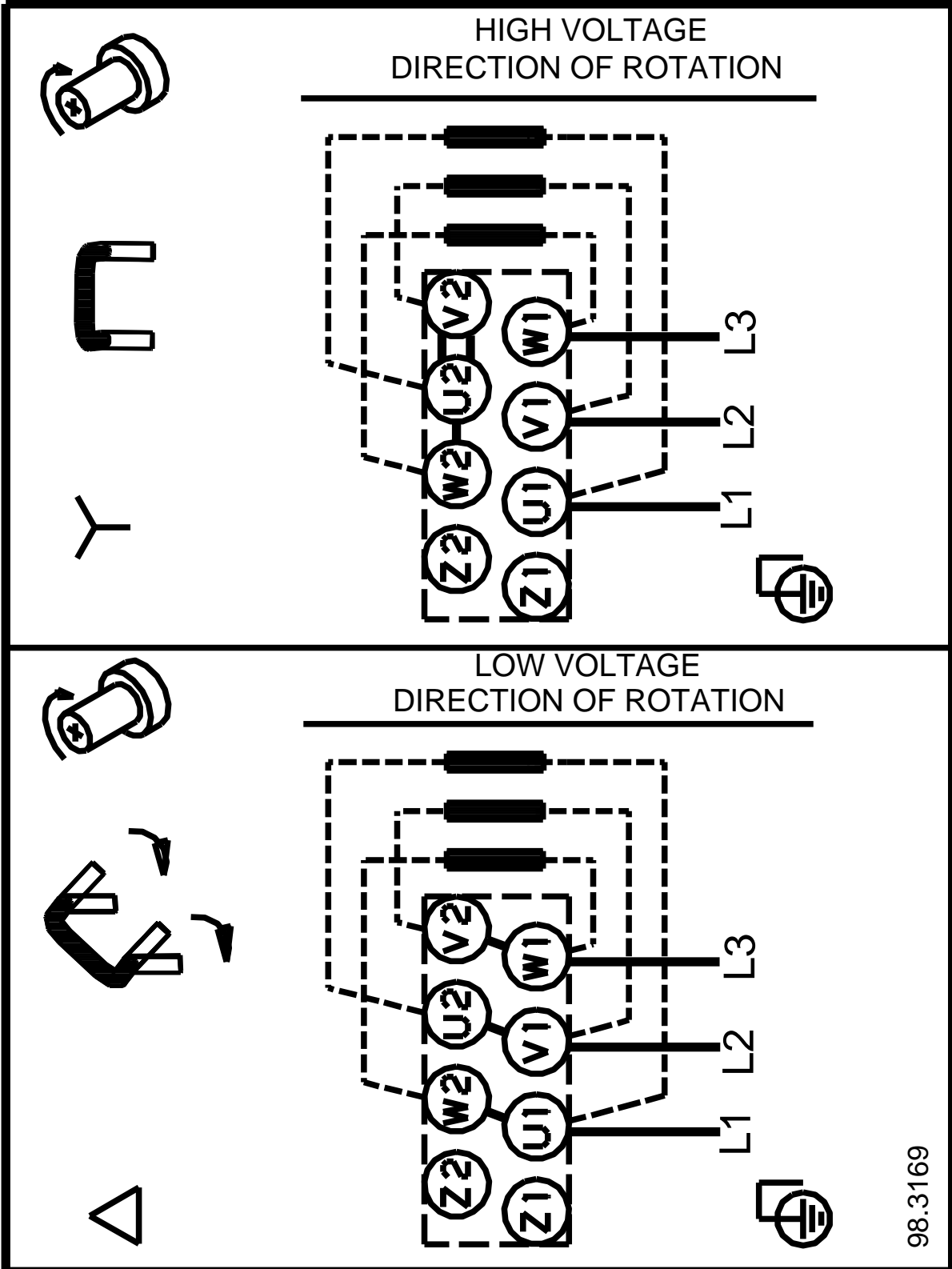


## 97897722 TP 65-60/4 B 50 Hz



Note! All units are in [mm] unless others are stated.  
Disclaimer: This simplified dimensional drawing does not show all details.

**97897722 TP 65-60/4 B 50 Hz**



98.3169

Note! All units are in [mm] unless others are stated.