


Position	Qty.	Description
	1	<p>GT-D-200 PN10 G 1 1/4V</p>  <p>Note! Product picture may differ from actual product</p> <p>Product No.: 97792897</p> <p>Grundfos GT-D-200 PN10 G 1 1/4V is a Double Diaphragm pressure tank, with a capacity of 200.0 l and Vertical installation. The tanks are approved for drinking water. The GT-D-200 PN10 G 1 1/4V is designed for a maximum operation pressure of 10 bar and a maximum liquid temperature of 90 °C.</p> <p>The tank is a steel pressure tank with double diaphragm. The diaphragm is a chlorine-resistant 100 % butyl diaphragm with a precision-moulded copolymer polypropylene liner for superior air and water separation.</p> <p>A pressure tank ensures controlled pressure in the water supply and thereby limits the switching frequency of the pump in case of low water consumption or leakage loss. The result is increased comfort in your installation by limiting the start/stop frequency of your pump, and it increases system comfort by compensating for pressure drops when a tap is opened, while reducing problems with water hammer in the pipework.</p> <p>Liquid: Maximum liquid temperature: 90 °C</p> <p>Technical: Membrane type: Double Diaphragm</p> <p>Materials: Material: Carbon steel</p> <p>Installation: Maximum operating pressure: 10 bar Size: 200.0</p> <p>Others: Net weight: 34.7 kg Gross weight: 38.4 kg Applicat. typ: Standard Danish VVS No.: 398256200</p>



Company name:

Created by:

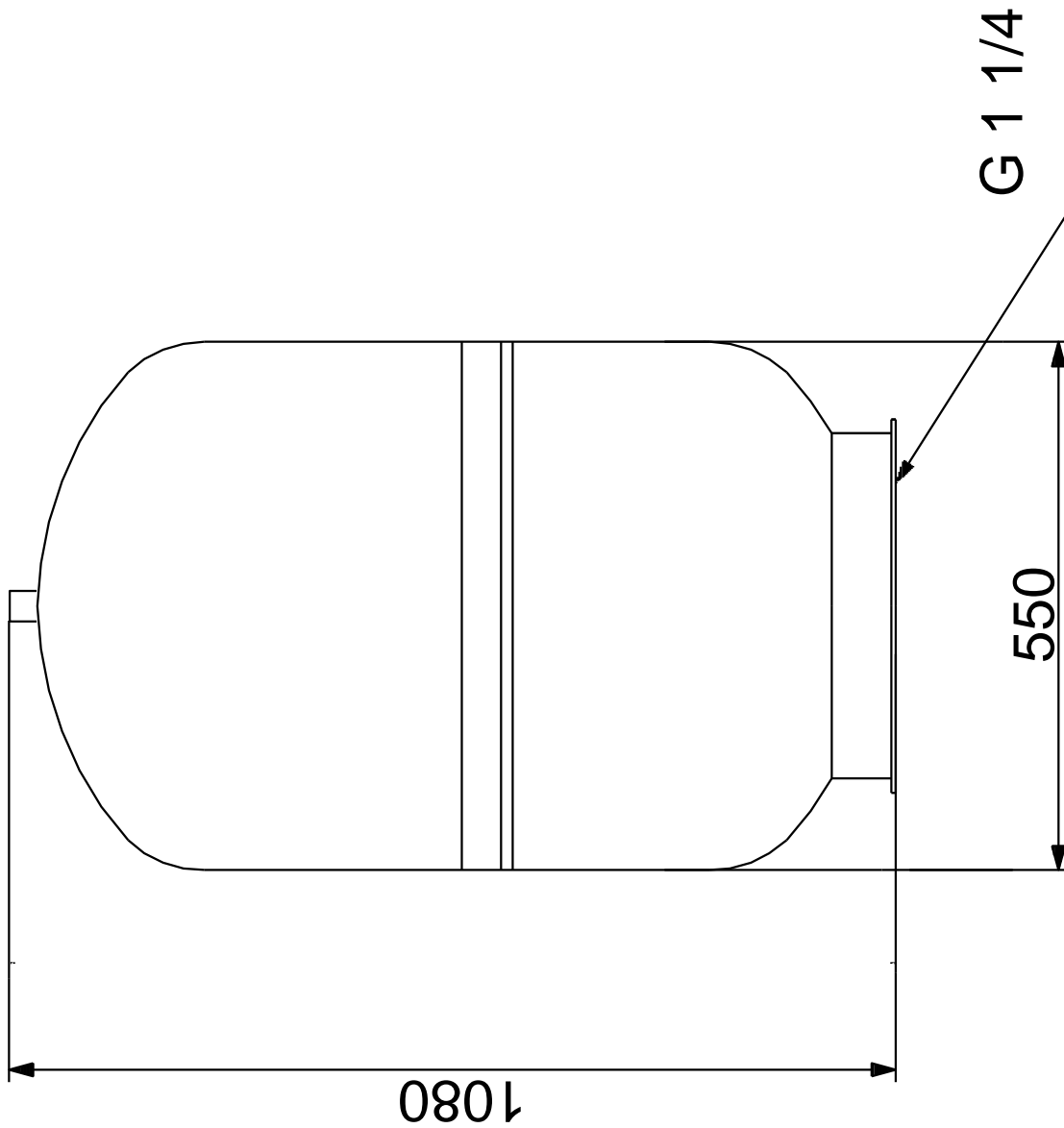
Phone:

Date:

01/11/2018

Description	Value
General information:	
Product name:	GT-D-200 PN10 G 1 1/4V
Product No:	97792897
EAN number:	5710624941553
Technical:	
Membrane type:	Double Diaphragm
Materials:	
Material:	Carbon steel
Installation:	
Maximum operating pressure:	10 bar
Pre-pressure:	1.4 bar
Installation:	Vertical
Size:	200.0
Liquid:	
Maximum liquid temperature:	90 °C
Others:	
Net weight:	34.7 kg
Gross weight:	38.4 kg
Applicat. typ:	Standard
Danish VVS No.:	398256200

97792897 GT-D-200 PN10 G 1 1/4V 50 Hz



Note! All units are in [mm] unless others are stated.
Disclaimer: This simplified dimensional drawing does not show all details.