


Position	Qty.	Description
	1	<p><b>CM5-11 A-R-I-E-AQQE</b></p>  <p>Product No.: <a href="#">97620739</a></p> <p>Compact, reliable, horizontal, multistage, end-suction centrifugal pump with axial suction port and radial discharge port. Pump materials in contact with the liquid are in stainless steel. The mechanical shaft seal is a special designed, unbalanced O-ring seal. Pipework connection is via internal Whitworth pipe threads, Rp (ISO 7/1).</p> <p>The pump is fitted with a 1-phase, foot-mounted, fan-cooled asynchronous motor.</p> <p><b>Liquid:</b>  Pumped liquid: Water  Liquid temperature range: -20 .. 90 °C  Q_OpFluidTemp: 20 °C  Density: 998.2 kg/m<sup>3</sup></p> <p><b>Technical:</b>  Speed for pump data: 2900 rpm  Rated flow: 4.7 m<sup>3</sup>/h  Rated head: 86.2 m  Primary shaft seal: AQQE  Approvals on nameplate: CE,WRAS,ACS,TR,EAC  Curve tolerance: ISO9906:2012 3B</p> <p><b>Materials:</b>  Pump housing: Stainless steel  DIN W.-Nr. 1.4301  304  Impeller: Stainless steel  DIN W.-Nr. 1.4301  AISI 304  Rubber: EPDM</p> <p><b>Installation:</b>  Maximum ambient temperature: 55 °C  Maximum operating pressure: 16 bar  Max pressure at stated temp: 16 bar / 90 °C  Flange standard: WHITWORTH THREAD RP  Pump inlet: Rp 1 1/4  Pump outlet: Rp 1</p> <p><b>Electrical data:</b>  Motor type: 90SB  IE Efficiency class: NA  Rated power - P2: 1.9 kW  Mains frequency: 50 Hz  Rated voltage: 1 x 220-240 V  Service factor: 1  Rated current: 11,0-10,0 A</p>



Company name:

Created by:

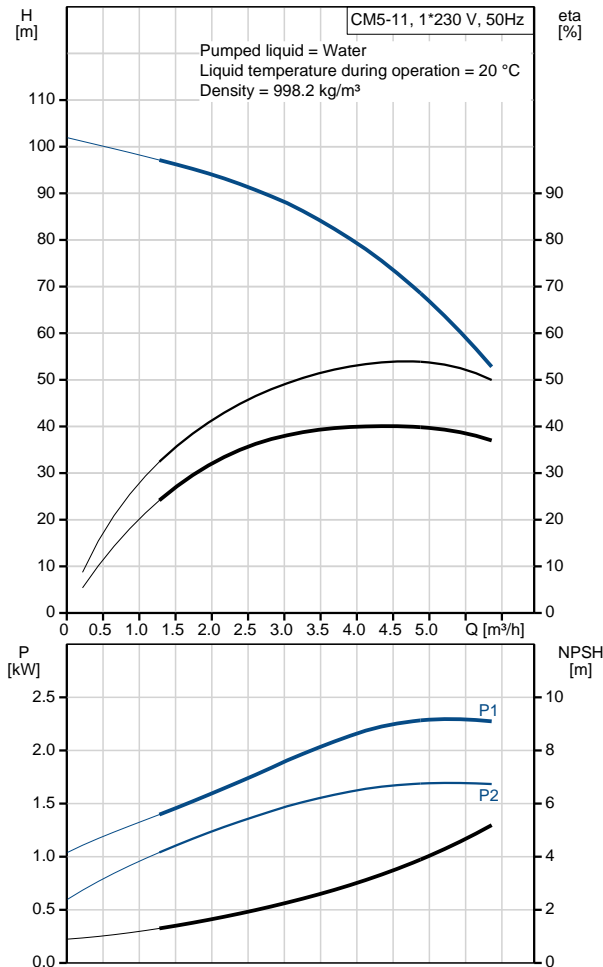
Phone:

Date:

22/03/2017

Position	Qty.	Description
		Starting current: 370 % Rated speed: 2755-2770 rpm Enclosure class (IEC 34-5): IP55 Insulation class (IEC 85): F  <b>Others:</b> Minimum efficiency index, MEI : 0,7 Net weight: 25.4 kg Gross weight: 27.9 kg

Description	Value
<b>General information:</b>	
Product name:	CM5-11 A-R-I-E-AQQE
Product No:	97620739
EAN number:	5700319522716
Price:	On request
<b>Technical:</b>	
Speed for pump data:	2900 rpm
Rated flow:	4.7 m³/h
Rated head:	86.2 m
Impellers:	11
Primary shaft seal:	AQQE
Approvals on nameplate:	CE,WRAS,ACS,TR,EAC
Curve tolerance:	ISO9906:2012 3B
Pump version:	A
Model:	A
<b>Materials:</b>	
Pump housing:	Stainless steel DIN W.-Nr. 1.4301 304
Impeller:	Stainless steel DIN W.-Nr. 1.4301 AISI 304
Material code:	I
Rubber:	EPDM
Code for rubber:	E
<b>Installation:</b>	
Maximum ambient temperature:	55 °C
Maximum operating pressure:	16 bar
Max pressure at stated temp:	16 bar / 90 °C
Flange standard:	WHITWORTH THREAD RP
Connect code:	R
Pump inlet:	Rp 1 1/4
Pump outlet:	Rp 1
<b>Liquid:</b>	
Pumped liquid:	Water
Liquid temperature range:	-20 .. 90 °C
Q_OpFluidTemp:	20 °C
Density:	998.2 kg/m³
<b>Electrical data:</b>	
Motor type:	90SB
IE Efficiency class:	NA
Rated power - P2:	1.9 kW
Mains frequency:	50 Hz
Rated voltage:	1 x 220-240 V
Service factor:	1
Rated current:	11,0-10,0 A
Starting current:	370 %
Rated speed:	2755-2770 rpm
Enclosure class (IEC 34-5):	IP55
Insulation class (IEC 85):	F
Motor protec:	TP211
<b>Others:</b>	
Minimum efficiency index, MEI :	0,7





Company name:

Created by:

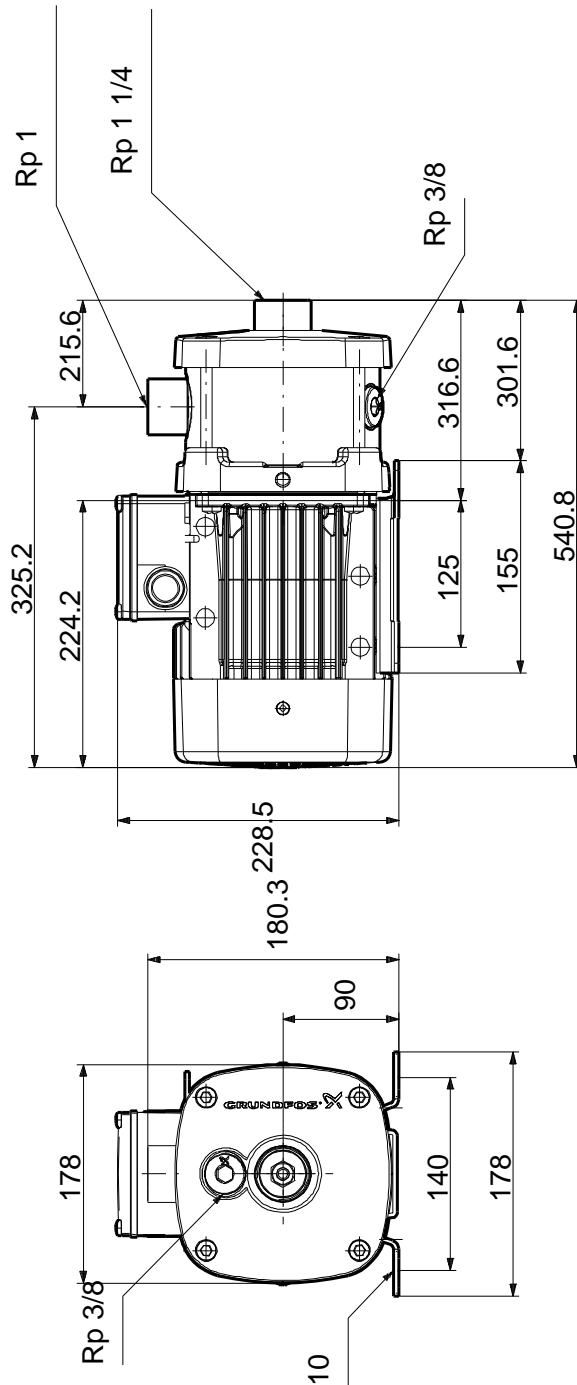
Phone:

Date:

22/03/2017

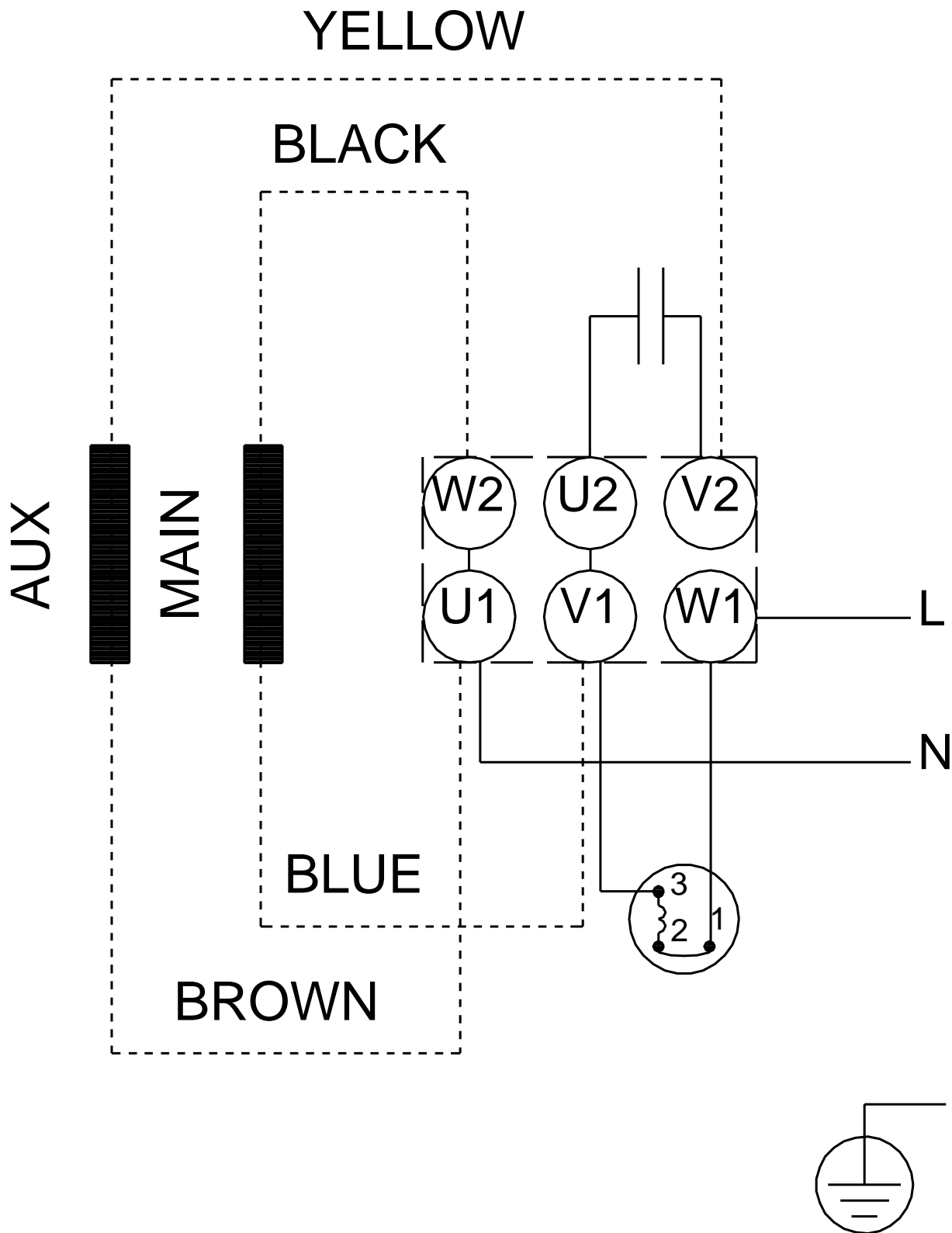
Description	Value
Net weight:	25.4 kg
Gross weight:	27.9 kg

## 97620739 CM5-11 50 Hz



Note! All units are in [mm] unless others are stated.  
 Disclaimer: This simplified dimensional drawing does not show all details.

97620739 CM5-11 50 Hz



Note! All units are in [mm] unless others are stated.