


Position	Count	Description
	1	<p><b>CM5-2 A-R-G-E-AQQE</b></p>  <p>Product No.: <a href="#">97516654</a></p> <p>Compact, reliable, horizontal, multistage, end-suction centrifugal pump with axial suction port and radial discharge port. Pump materials in contact with the liquid are in high-grade stainless steel. The mechanical shaft seal is a special designed, unbalanced O-ring seal. Pipework connection is via internal Whitworth pipe threads, Rp (ISO 7/1).</p> <p>The pump is fitted with a 1-phase, foot-mounted, fan-cooled asynchronous motor.</p> <p><b>Liquid:</b>  Pumped liquid: Water  Liquid temperature range: -4 .. 248 °F  Liquid temperature during operation: 68 °F  Density: 62.29 lb/ft<sup>3</sup></p> <p><b>Technical:</b>  Rated flow: 20.7 US gpm  Rated head: 48.56 ft  Primary shaft seal: AQQE  Approvals on nameplate: CE,WRAS,ACS,TR,EAC  Curve tolerance: ISO9906:2012 3B</p> <p><b>Materials:</b>  Pump housing: Stainless steel  DIN W.-Nr. 1.4401  AISI 316  Impeller: Stainless steel  DIN W.-Nr. 1.4401  AISI 316  Rubber: EPDM</p> <p><b>Installation:</b>  Maximum ambient temperature: 131 °F  Maximum operating pressure: 232 psi  Max pressure at stated temperature: 145 psi / 250 °F  232 psi / 194 °F  Flange standard: WHITWORTH THREAD RP  Pump inlet: Rp 1 1/4  Pump outlet: Rp 1</p> <p><b>Electrical data:</b>  Motor type: 71B  Rated power - P2: 0.671 HP  Main frequency: 50 Hz  Rated voltage: 1 x 220-240 V  Service factor: 1  Rated current: 3.1-2.8 A  Starting current: 530 %  Rated speed: 2730-2740 rpm  Enclosure class (IEC 34-5): IP55</p>



Company name:

Created by:

Phone:

Date:

10/4/2018

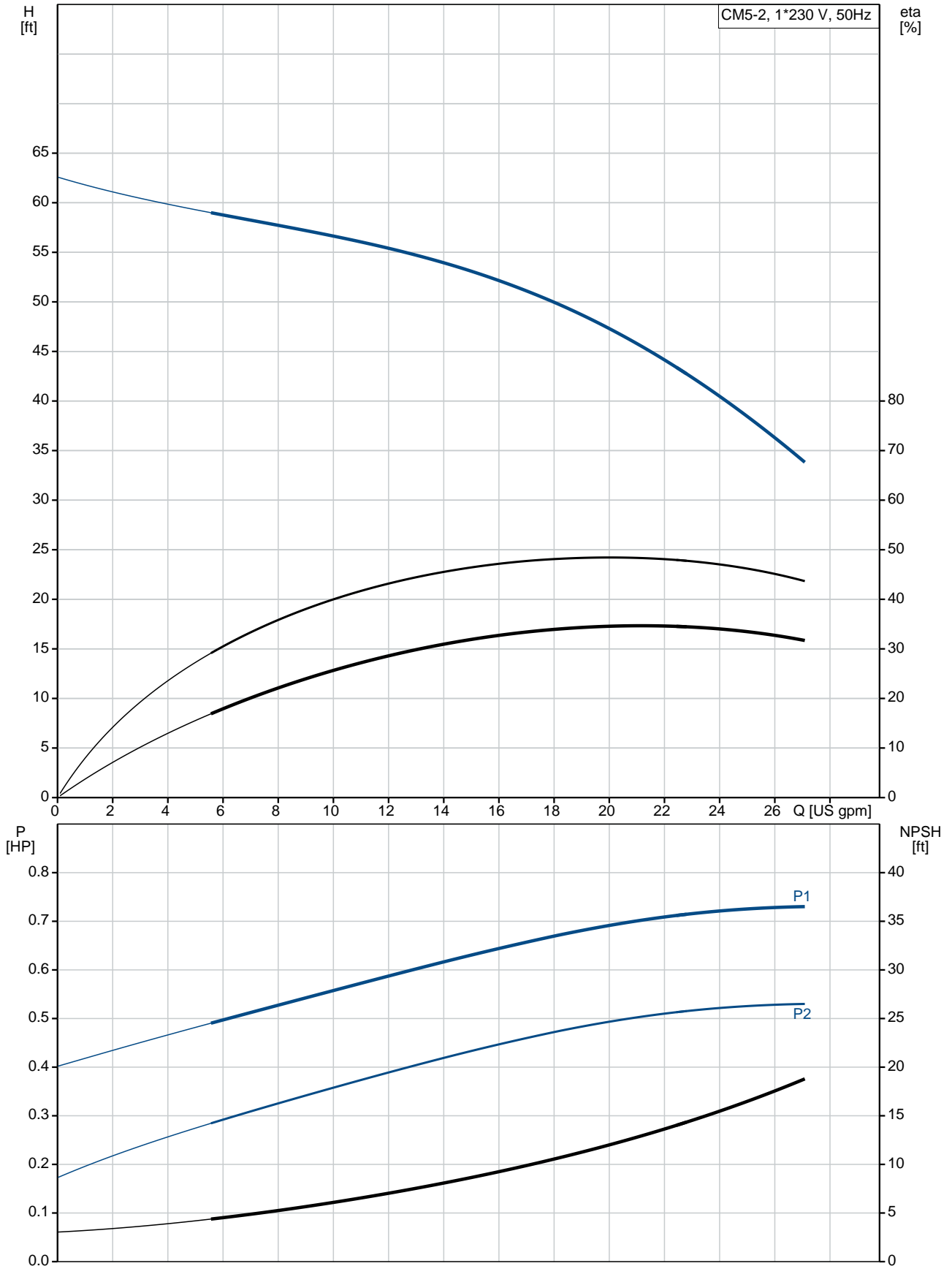
Position	Count	Description
		<p data-bbox="343 338 726 374">Insulation class (IEC 85): F</p> <p data-bbox="343 400 432 430"><b>Others:</b></p> <p data-bbox="343 432 762 463">Minimum efficiency index, MEI : 0.7</p> <p data-bbox="343 463 783 495">Net weight: 27.1 lb</p> <p data-bbox="343 495 783 526">Gross weight: 32.6 lb</p> <p data-bbox="343 526 743 557">Country of origin: HU</p> <p data-bbox="343 557 820 589">Custom tariff no.: 84137075</p>



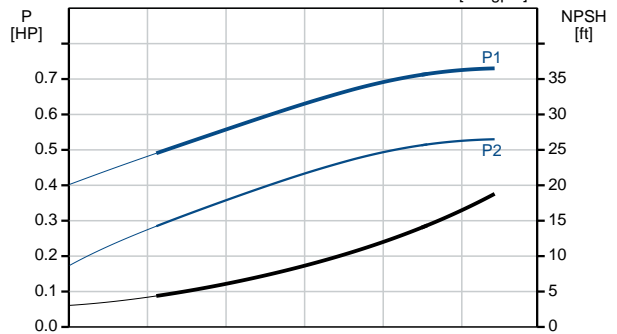
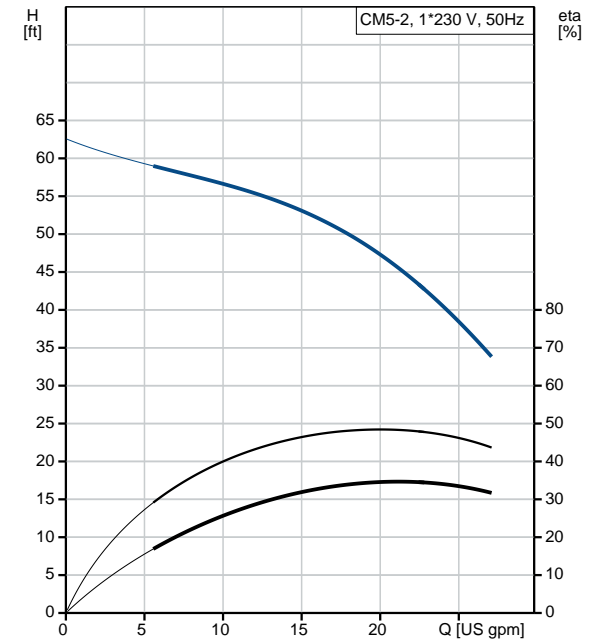
Company name:  
Created by:  
Phone:

Date: 10/4/2018

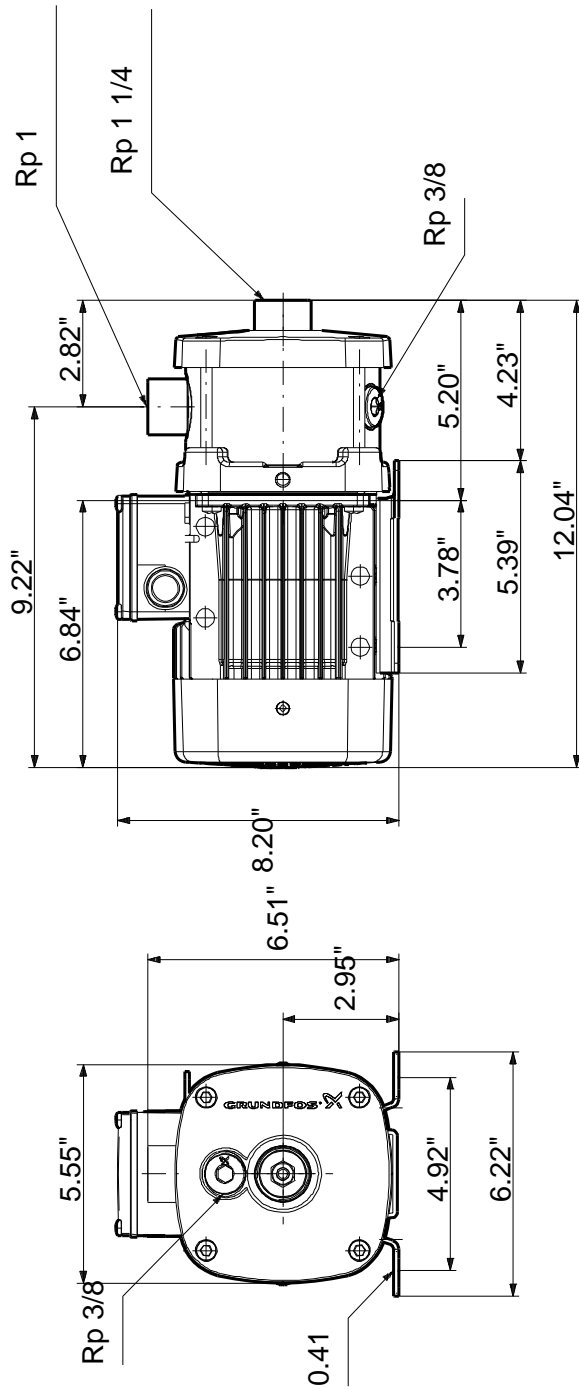
### 97516654 CM5-2 A-R-G-E-AQQE 50 Hz



Description	Value
<b>General information:</b>	
Product name:	CM5-2 A-R-G-E-AQQE
Product No.:	97516654
EAN:	5700317302822
<b>Technical:</b>	
Rated flow:	20.7 US gpm
Rated head:	48.56 ft
Impellers:	2
Primary shaft seal:	AQQE
Approvals on nameplate:	CE,WRAS,ACS,TR,EAC
Curve tolerance:	ISO9906:2012 3B
Pump version:	A
Model:	A
<b>Materials:</b>	
Pump housing:	Stainless steel DIN W.-Nr. 1.4401 AISI 316
Impeller:	Stainless steel DIN W.-Nr. 1.4401 AISI 316
Material code:	G
Rubber:	EPDM
Code for rubber:	E
<b>Installation:</b>	
Maximum ambient temperature:	131 °F
Maximum operating pressure:	232 psi
Max pressure at stated temperature:	145 psi / 250 °F 232 psi / 194 °F
Flange standard:	WHITWORTH THREAD RP
Pump inlet:	Rp 1 1/4
Pump outlet:	Rp 1
Connect code:	R
<b>Liquid:</b>	
Pumped liquid:	Water
Liquid temperature range:	-4 .. 248 °F
Liquid temperature during operation:	68 °F
Density:	62.29 lb/ft³
<b>Electrical data:</b>	
Motor type:	71B
Rated power - P2:	0.671 HP
Main frequency:	50 Hz
Rated voltage:	1 x 220-240 V
Service factor:	1
Rated current:	3.1-2.8 A
Starting current:	530 %
Rated speed:	2730-2740 rpm
Enclosure class (IEC 34-5):	IP55
Insulation class (IEC 85):	F
Motor protection:	TP211
<b>Others:</b>	
Minimum efficiency index, MEI :	0.7
Net weight:	27.1 lb
Gross weight:	32.6 lb
Country of origin:	HU
Custom tariff no.:	84137075

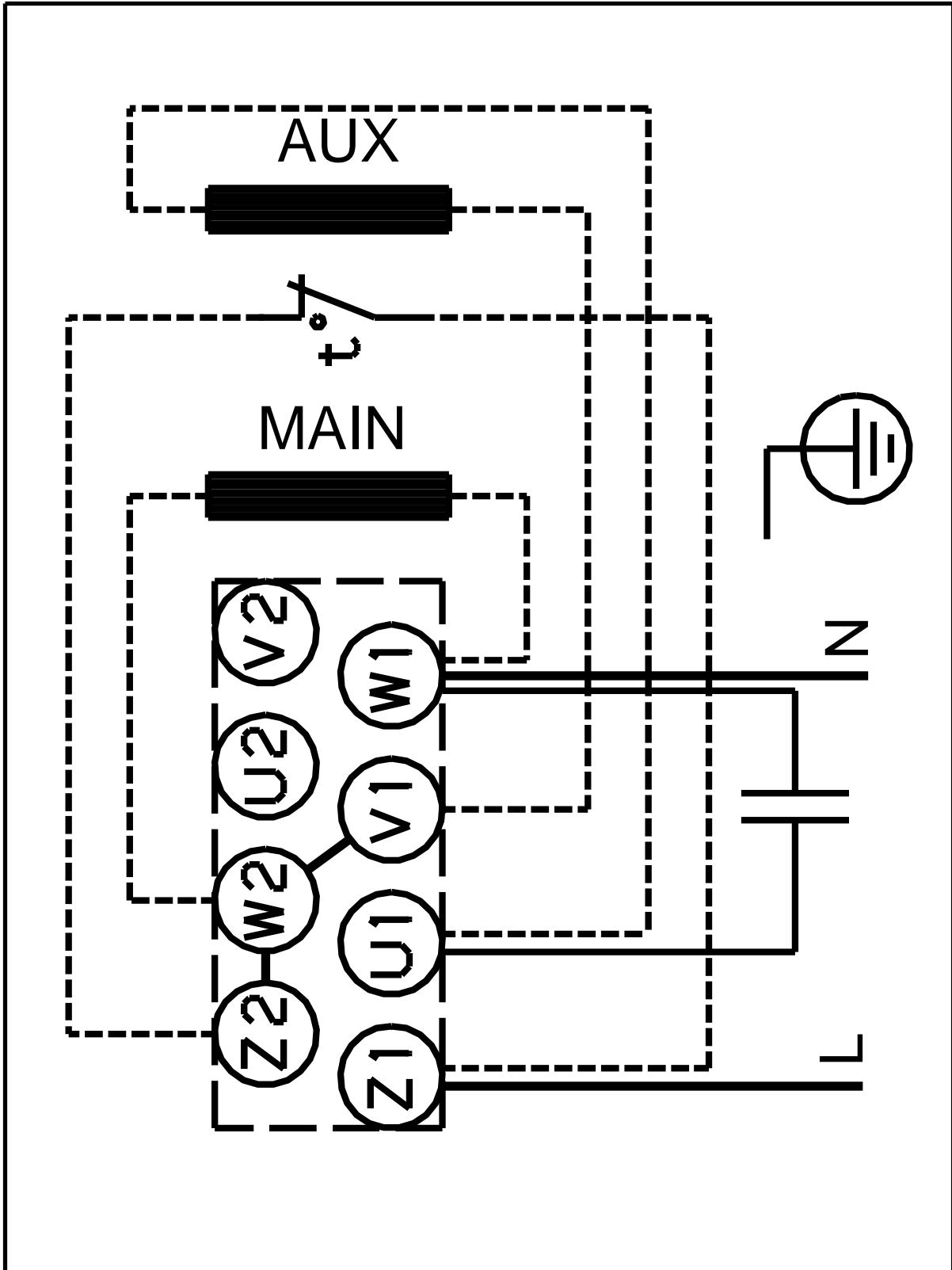


## 97516654 CM5-2 A-R-G-E-AQQE 50 Hz



Note! All units are in [mm] unless otherwise stated.  
 Disclaimer: This simplified dimensional drawing does not show all details.

**97516654 CM5-2 A-R-G-E-AQQE 50 Hz**



All units are [mm] unless otherwise presented.