


| Position | Qty. | Description |
|----------|------|---|
| | 1 | <p>CM1-5 A-R-G-E-AQQE</p>  <p>Product No.: 97516641</p> <p>Compact, reliable, horizontal, multistage, end-suction centrifugal pump with axial suction port and radial discharge port. Pump materials in contact with the liquid are in high-grade stainless steel. The mechanical shaft seal is a special designed, unbalanced O-ring seal. Pipework connection is via internal Whitworth pipe threads, Rp (ISO 7/1).</p> <p>The pump is fitted with a 3-phase, foot-mounted, fan-cooled asynchronous motor.</p> <p>Liquid: Pumped liquid: Water Liquid temperature range: -20 .. 120 °C Liquid temperature during operation: 20 °C Density: 998.2 kg/m³</p> <p>Technical: Rated flow: 1.7 m³/h Rated head: 30.3 m Primary shaft seal: AQQE Approvals on nameplate: CE,WRAS,ACS,TR,EAC Curve tolerance: ISO9906:2012 3B</p> <p>Materials: Pump housing: Stainless steel DIN W.-Nr. 1.4401 AISI 316 Impeller: Stainless steel DIN W.-Nr. 1.4401 AISI 316 Rubber: EPDM</p> <p>Installation: Maximum ambient temperature: 55 °C Maximum operating pressure: 16 bar Max pressure at stated temp: 10 bar / 120 °C 16 bar / 90 °C Flange standard: WHITWORTH THREAD RP Pump inlet: Rp 1 Pump outlet: Rp 1</p> <p>Electrical data: Motor type: 71A Rated power - P2: 0.46 kW Mains frequency: 50 Hz Rated voltage: 3 x 220-240D/380-415Y V Service factor: 1 Rated current: 2,0-2,2/1,0-1,2 A Starting current: 490-530 %</p> |



Company name:

Created by:

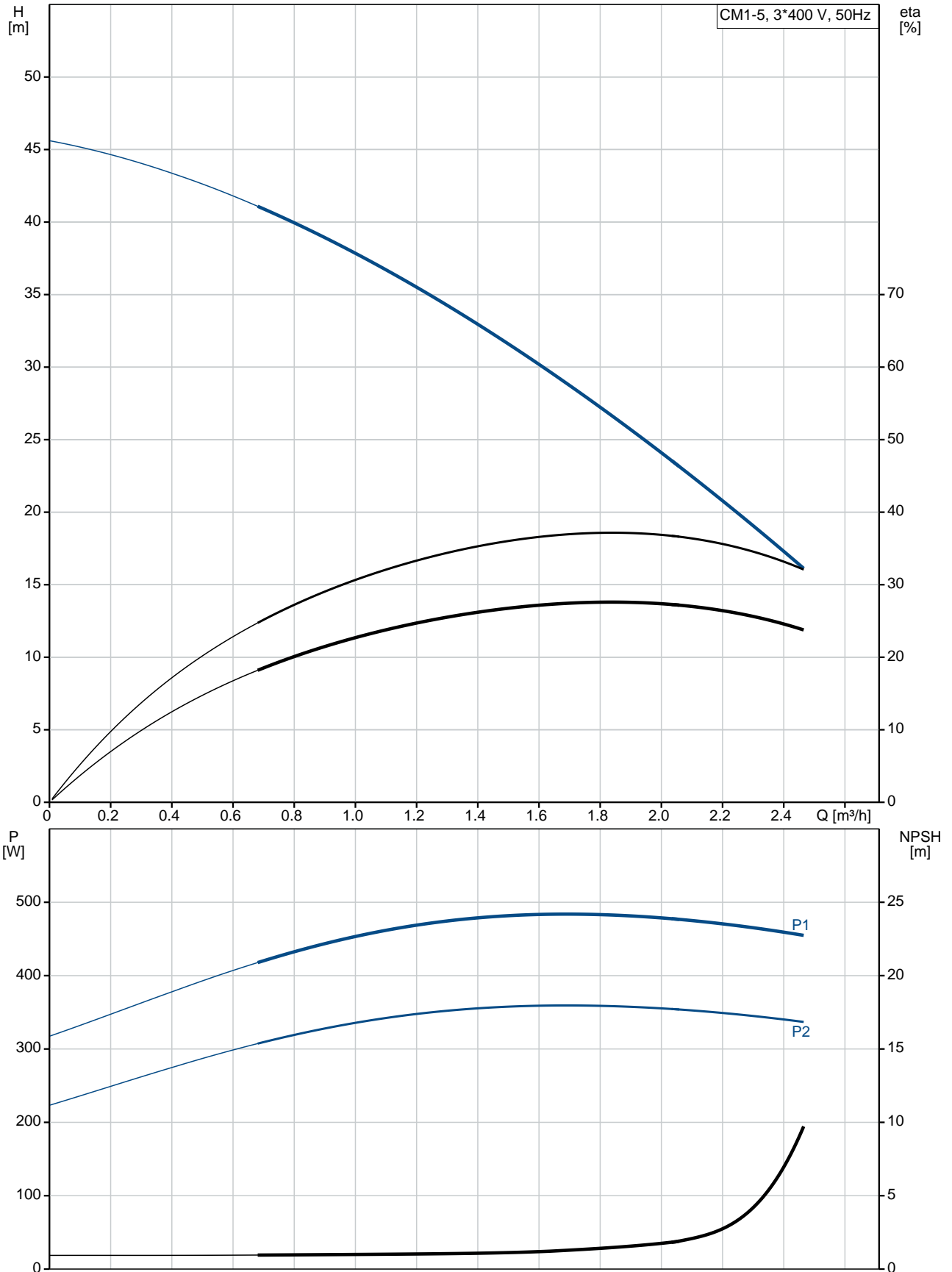
Phone:

Date:

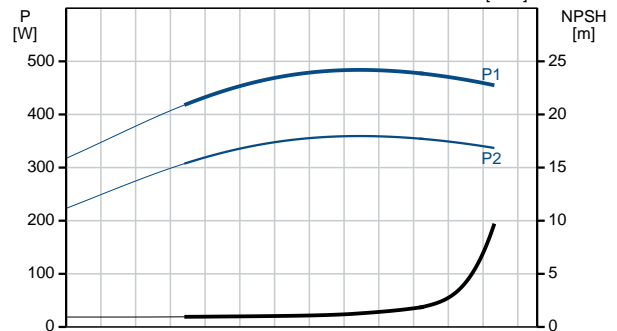
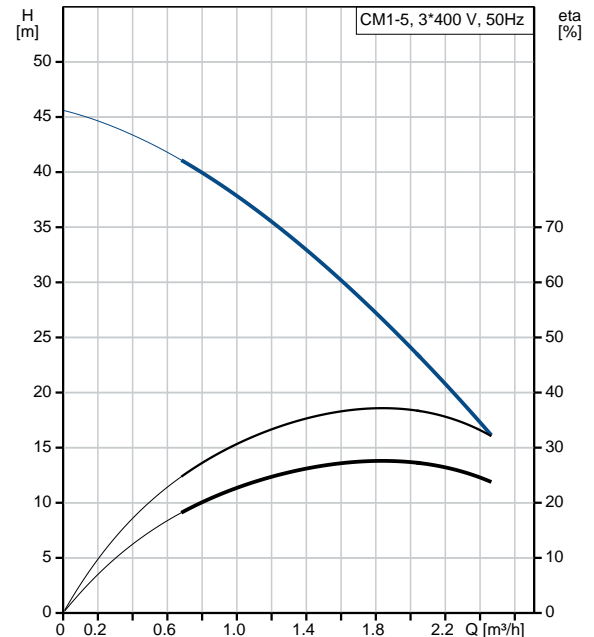
08/10/2018

| Position | Qty. | Description |
|----------|------|--|
| | | Rated speed: 2770-2820 rpm Enclosure class (IEC 34-5): IP55 Insulation class (IEC 85): F Others: Minimum efficiency index, MEI : 0.68 Net weight: 12.4 kg Gross weight: 14.9 kg Country of origin: HU Custom tariff no.: 84137075 |

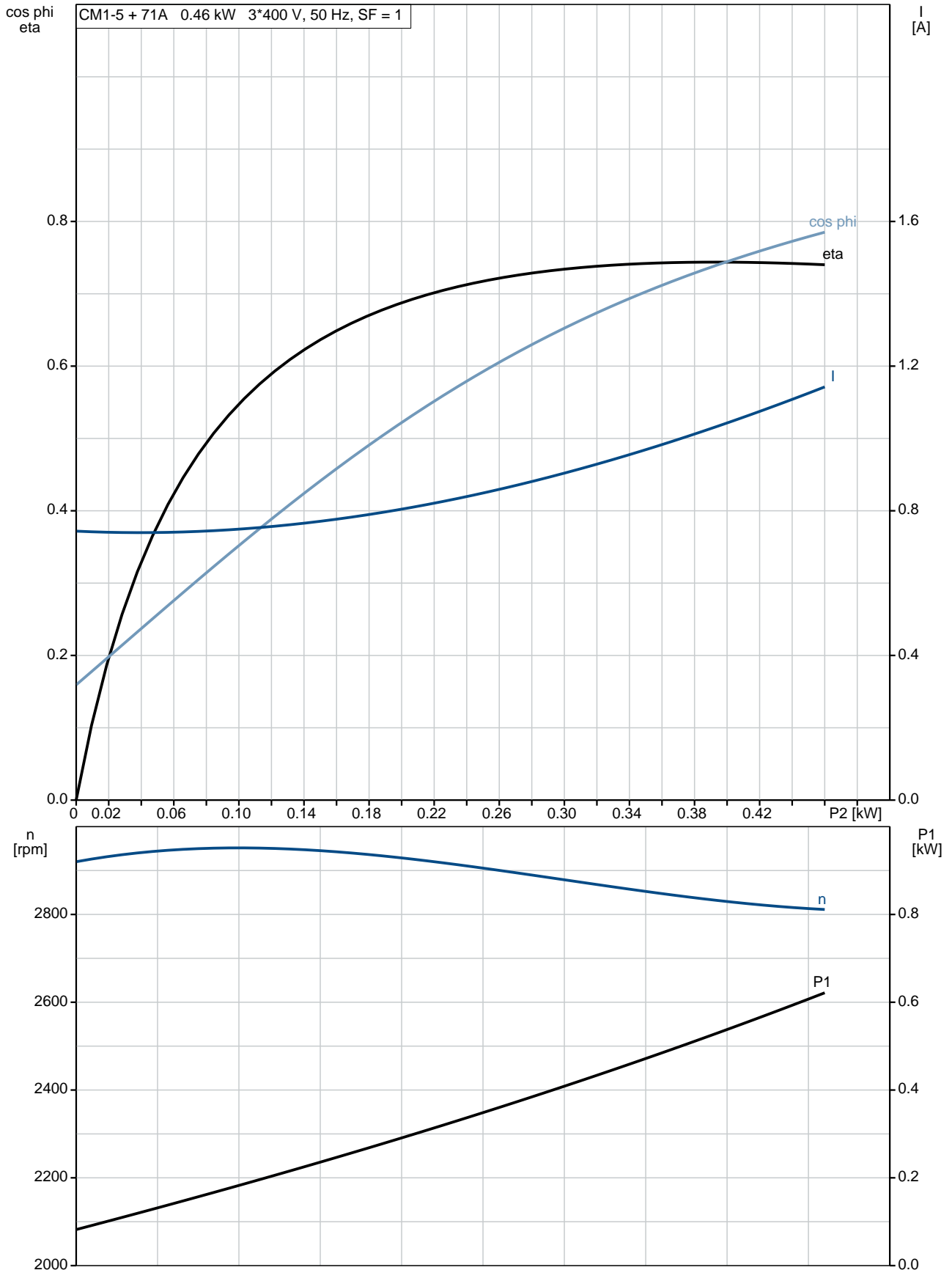
97516641 CM1-5 A-R-G-E-AQQE 50 Hz



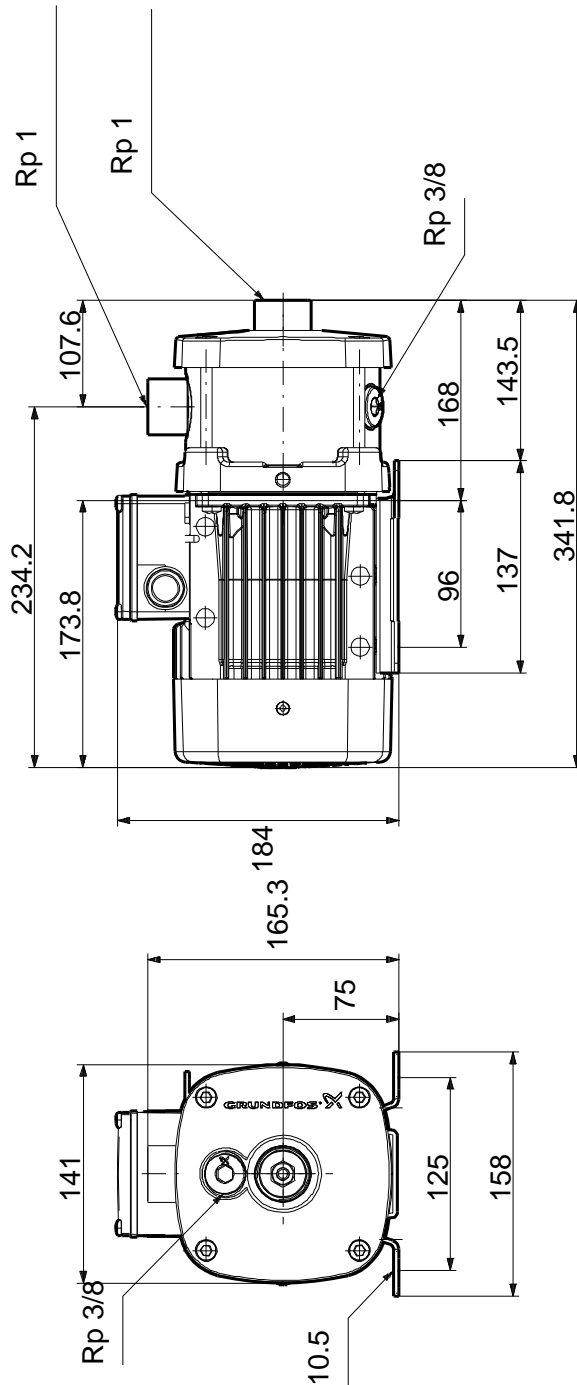
| Description | Value |
|--------------------------------------|--|
| General information: | |
| Product name: | CM1-5 A-R-G-E-AQQE |
| Product No: | 97516641 |
| EAN number: | 5700317302662 |
| Price: | 717,00 GBP |
| Technical: | |
| Rated flow: | 1.7 m³/h |
| Rated head: | 30.3 m |
| Impellers: | 5 |
| Primary shaft seal: | AQQE |
| Approvals on nameplate: | CE,WRAS,ACS,TR,EAC |
| Curve tolerance: | ISO9906:2012 3B |
| Pump version: | A |
| Model: | A |
| Materials: | |
| Pump housing: | Stainless steel DIN W.-Nr. 1.4401 AISI 316 |
| Impeller: | Stainless steel DIN W.-Nr. 1.4401 AISI 316 |
| Material code: | G |
| Rubber: | EPDM |
| Code for rubber: | E |
| Installation: | |
| Maximum ambient temperature: | 55 °C |
| Maximum operating pressure: | 16 bar |
| Max pressure at stated temp: | 10 bar / 120 °C 16 bar / 90 °C |
| Flange standard: | WHITWORTH THREAD RP |
| Pump inlet: | Rp 1 |
| Pump outlet: | Rp 1 |
| Connect code: | R |
| Liquid: | |
| Pumped liquid: | Water |
| Liquid temperature range: | -20 .. 120 °C |
| Liquid temperature during operation: | 20 °C |
| Density: | 998.2 kg/m³ |
| Electrical data: | |
| Motor type: | 71A |
| Rated power - P2: | 0.46 kW |
| Mains frequency: | 50 Hz |
| Rated voltage: | 3 x 220-240D/380-415Y V |
| Service factor: | 1 |
| Rated current: | 2,0-2,2/1,0-1,2 A |
| Starting current: | 490-530 % |
| Rated speed: | 2770-2820 rpm |
| Enclosure class (IEC 34-5): | IP55 |
| Insulation class (IEC 85): | F |
| Motor protec: | NO |
| Others: | |
| Minimum efficiency index, MEI : | 0.68 |
| Net weight: | 12.4 kg |
| Gross weight: | 14.9 kg |
| Country of origin: | HU |
| Custom tariff no.: | 84137075 |



97516641 CM1-5 A-R-G-E-AQQE 50 Hz

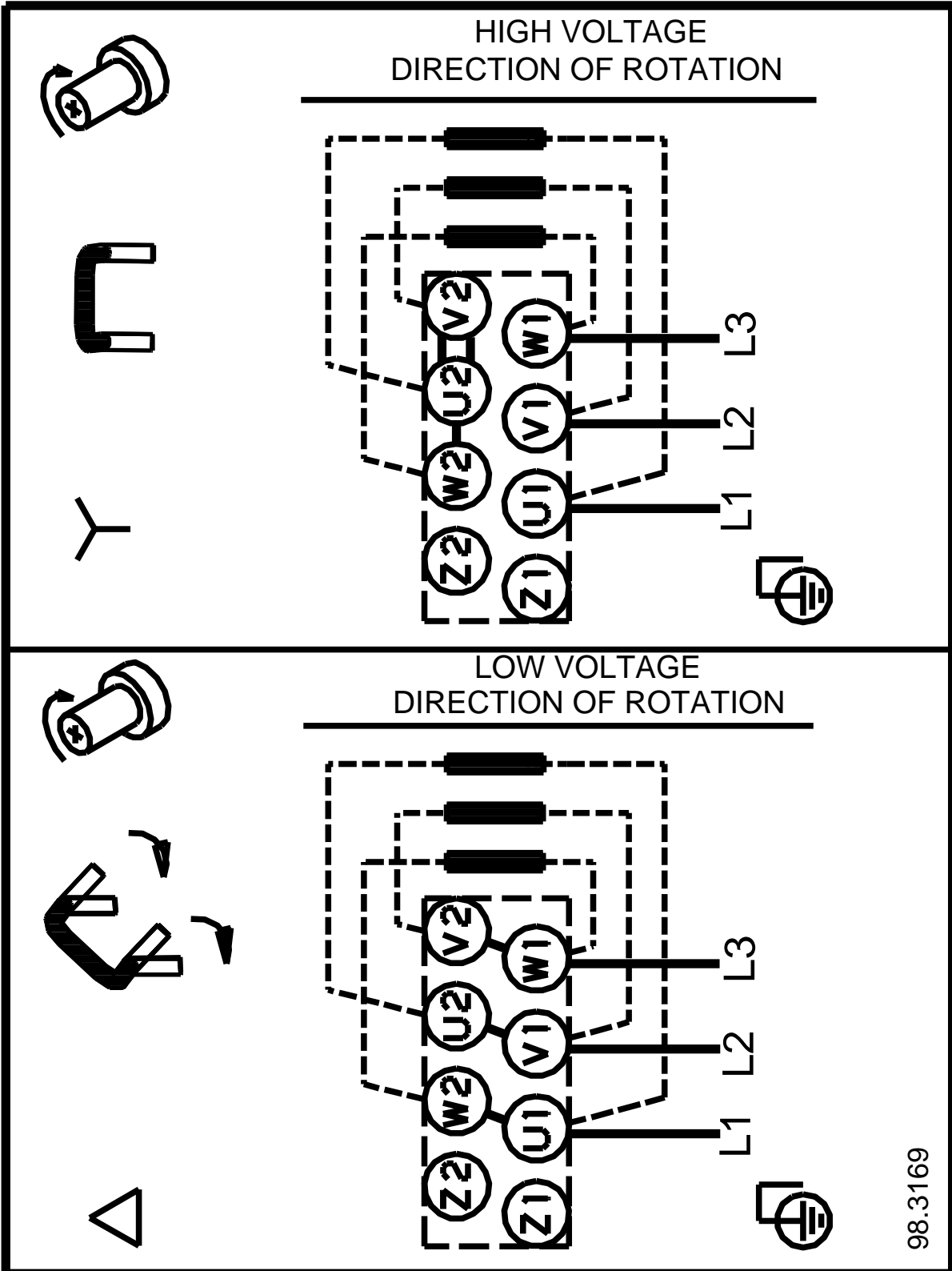


97516641 CM1-5 A-R-G-E-AQQE 50 Hz



Note! All units are in [mm] unless others are stated.
Disclaimer: This simplified dimensional drawing does not show all details.

97516641 CM1-5 A-R-G-E-AQQE 50 Hz



98.3169

Note! All units are in [mm] unless others are stated.