


Position	Qty.	Description
	1	<p><b>CM1-6 A-R-I-E-AQQE</b></p>  <p>Product No.: <a href="#">97515021</a></p> <p>Compact, reliable, horizontal, multistage, end-suction centrifugal pump with axial suction port and radial discharge port. Pump materials in contact with the liquid are in stainless steel. The mechanical shaft seal is a special designed, unbalanced O-ring seal. Pipework connection is via internal Whitworth pipe threads, Rp (ISO 7/1).</p> <p>The pump is fitted with a 1-phase, foot-mounted, fan-cooled asynchronous motor.</p> <p><b>Liquid:</b>  Pumped liquid: Water  Liquid temperature range: -20 .. 120 °C  Q_OpFluidTemp: 20 °C  Density: 998.2 kg/m<sup>3</sup></p> <p><b>Technical:</b>  Speed for pump data: 2900 rpm  Rated flow: 1.7 m<sup>3</sup>/h  Rated head: 36.3 m  Primary shaft seal: AQQE  Approvals on nameplate: CE,WRAS,ACS,TR,EAC  Curve tolerance: ISO9906:2012 3B</p> <p><b>Materials:</b>  Pump housing: Stainless steel  DIN W.-Nr. 1.4301  304  Impeller: Stainless steel  DIN W.-Nr. 1.4301  AISI 304  Rubber: EPDM</p> <p><b>Installation:</b>  Maximum ambient temperature: 55 °C  Maximum operating pressure: 10 bar  Max pressure at stated temp: 10 bar / 120 °C  Flange standard: WHITWORTH THREAD RP  Pump inlet: Rp 1  Pump outlet: Rp 1</p> <p><b>Electrical data:</b>  Motor type: 71B  IE Efficiency class: NA  Rated power - P2: 0.5 kW  Mains frequency: 50 Hz  Rated voltage: 1 x 220-240 V  Service factor: 1  Rated current: 3,1-2,8 A</p>



Company name:

Created by:

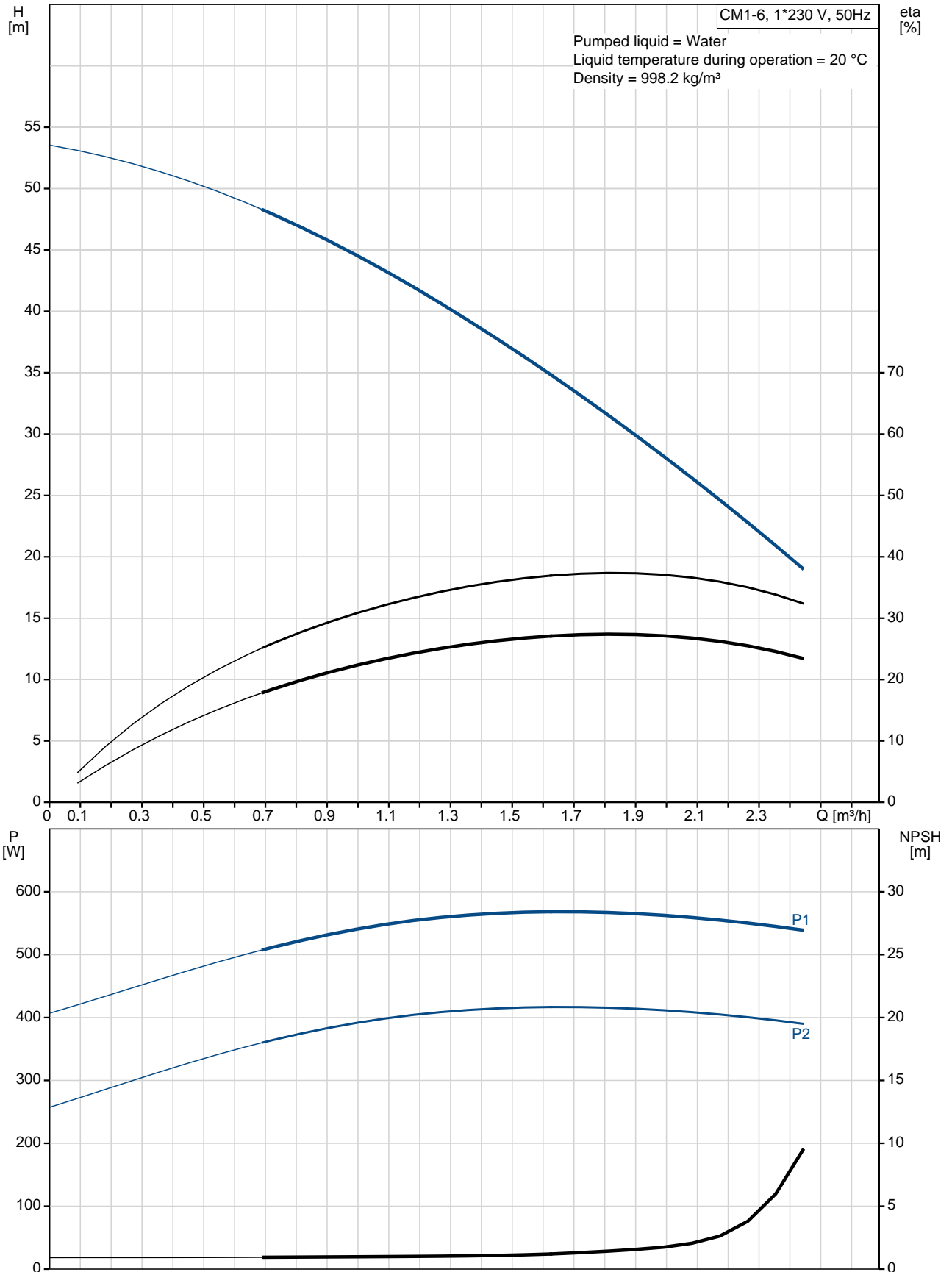
Phone:

Date:

22/03/2017

Position	Qty.	Description
		Starting current: 530 % Rated speed: 2730-2740 rpm Enclosure class (IEC 34-5): IP55 Insulation class (IEC 85): F  <b>Others:</b> Minimum efficiency index, MEI : 0,68 Net weight: 13.7 kg Gross weight: 16.2 kg

## 97515021 CM1-6 50 Hz



Description	Value
-------------	-------

**General information:**

Product name:	CM1-6 A-R-I-E-AQQE
Product No:	97515021
EAN number:	5700317261501
Price:	On request

**Technical:**

Speed for pump data:	2900 rpm
Rated flow:	1.7 m³/h
Rated head:	36.3 m
Impellers:	6
Primary shaft seal:	AQQE
Approvals on nameplate:	CE,WRAS,ACS,TR,EAC
Curve tolerance:	ISO9906:2012 3B
Pump version:	A
Model:	A

**Materials:**

Pump housing:	Stainless steel DIN W.-Nr. 1.4301 304
Impeller:	Stainless steel DIN W.-Nr. 1.4301 AISI 304
Material code:	I
Rubber:	EPDM
Code for rubber:	E

**Installation:**

Maximum ambient temperature:	55 °C
Maximum operating pressure:	10 bar
Max pressure at stated temp:	10 bar / 120 °C
Flange standard:	WHITWORTH THREAD RP
Connect code:	R
Pump inlet:	Rp 1
Pump outlet:	Rp 1

**Liquid:**

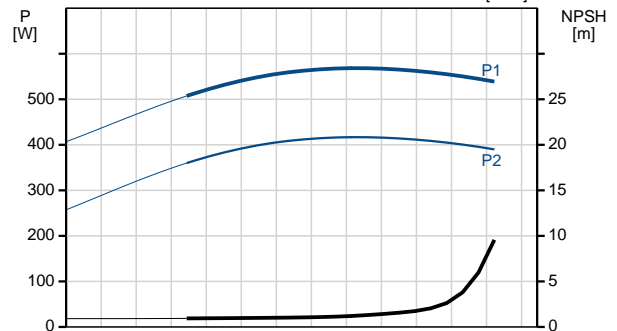
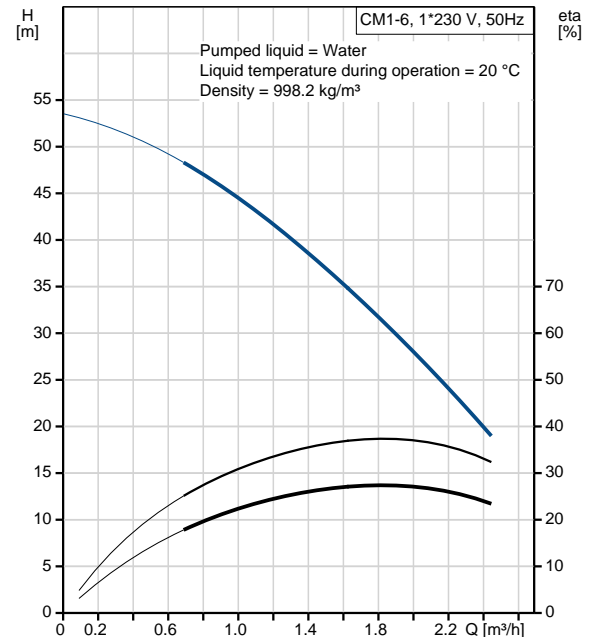
Pumped liquid:	Water
Liquid temperature range:	-20 .. 120 °C
Q_OpFluidTemp:	20 °C
Density:	998.2 kg/m³

**Electrical data:**

Motor type:	71B
IE Efficiency class:	NA
Rated power - P2:	0.5 kW
Mains frequency:	50 Hz
Rated voltage:	1 x 220-240 V
Service factor:	1
Rated current:	3,1-2,8 A
Starting current:	530 %
Rated speed:	2730-2740 rpm
Enclosure class (IEC 34-5):	IP55
Insulation class (IEC 85):	F
Motor protec:	TP211

**Others:**

Minimum efficiency index, MEI :	0,68
---------------------------------	------





Company name:

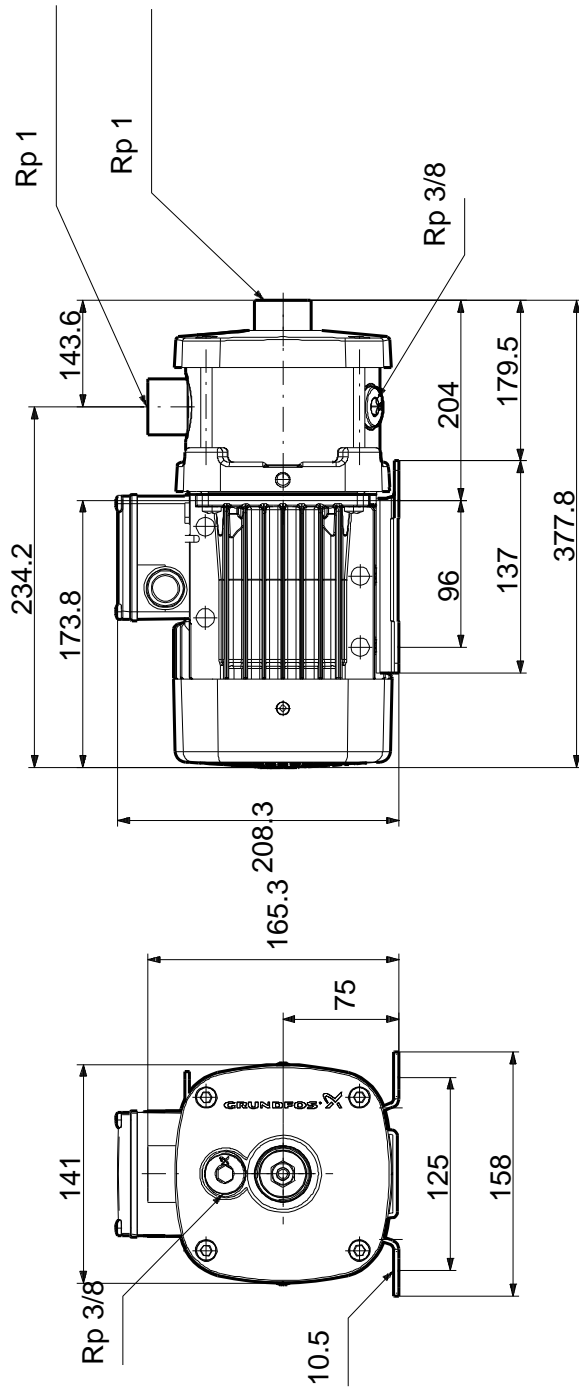
Created by:

Phone:

Date: 22/03/2017

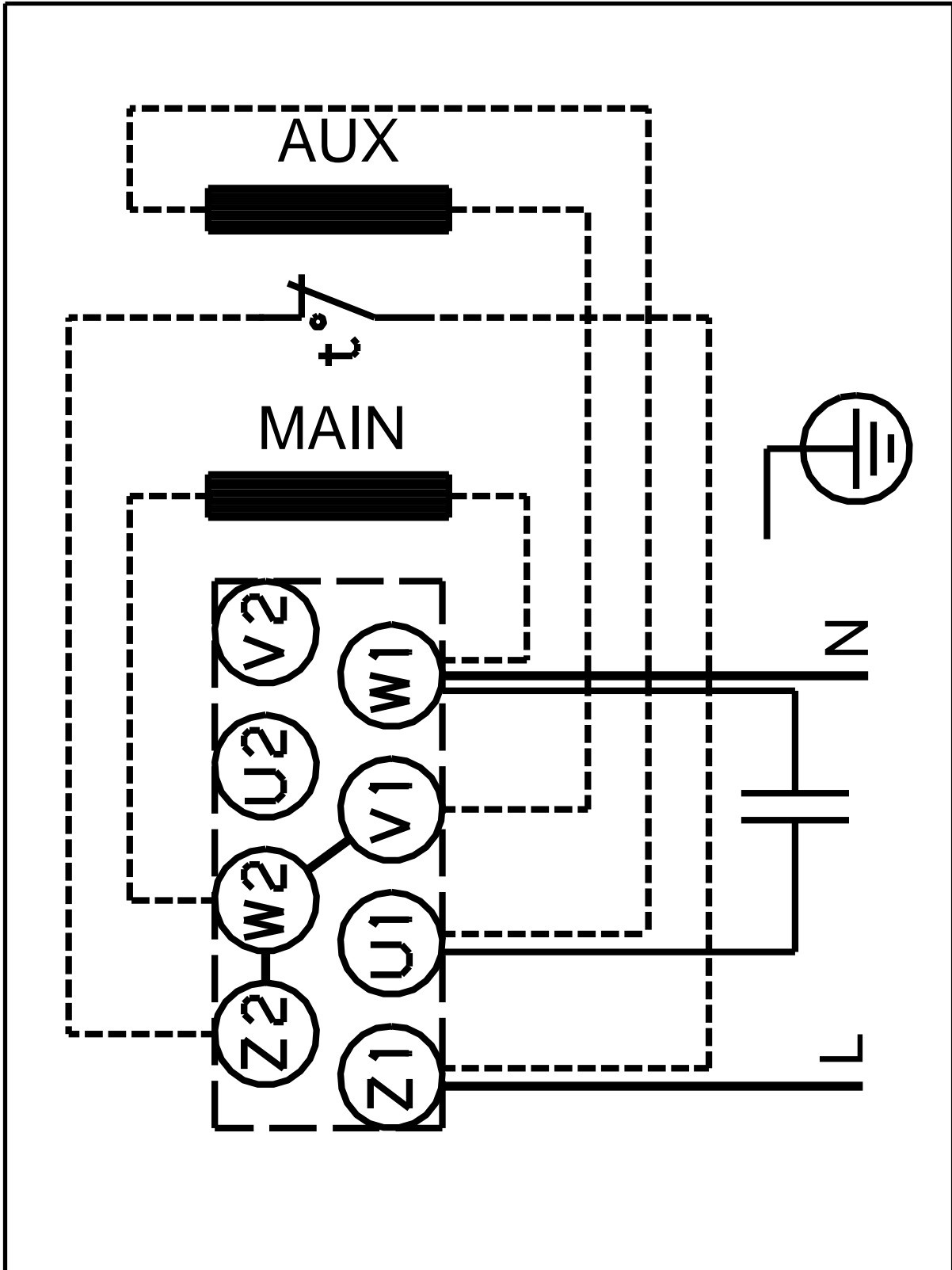
Description	Value
Net weight:	13.7 kg
Gross weight:	16.2 kg

## 97515021 CM1-6 50 Hz



Note! All units are in [mm] unless others are stated.  
Disclaimer: This simplified dimensional drawing does not show all details.

**97515021 CM1-6 50 Hz**



Note! All units are in [mm] unless others are stated.