
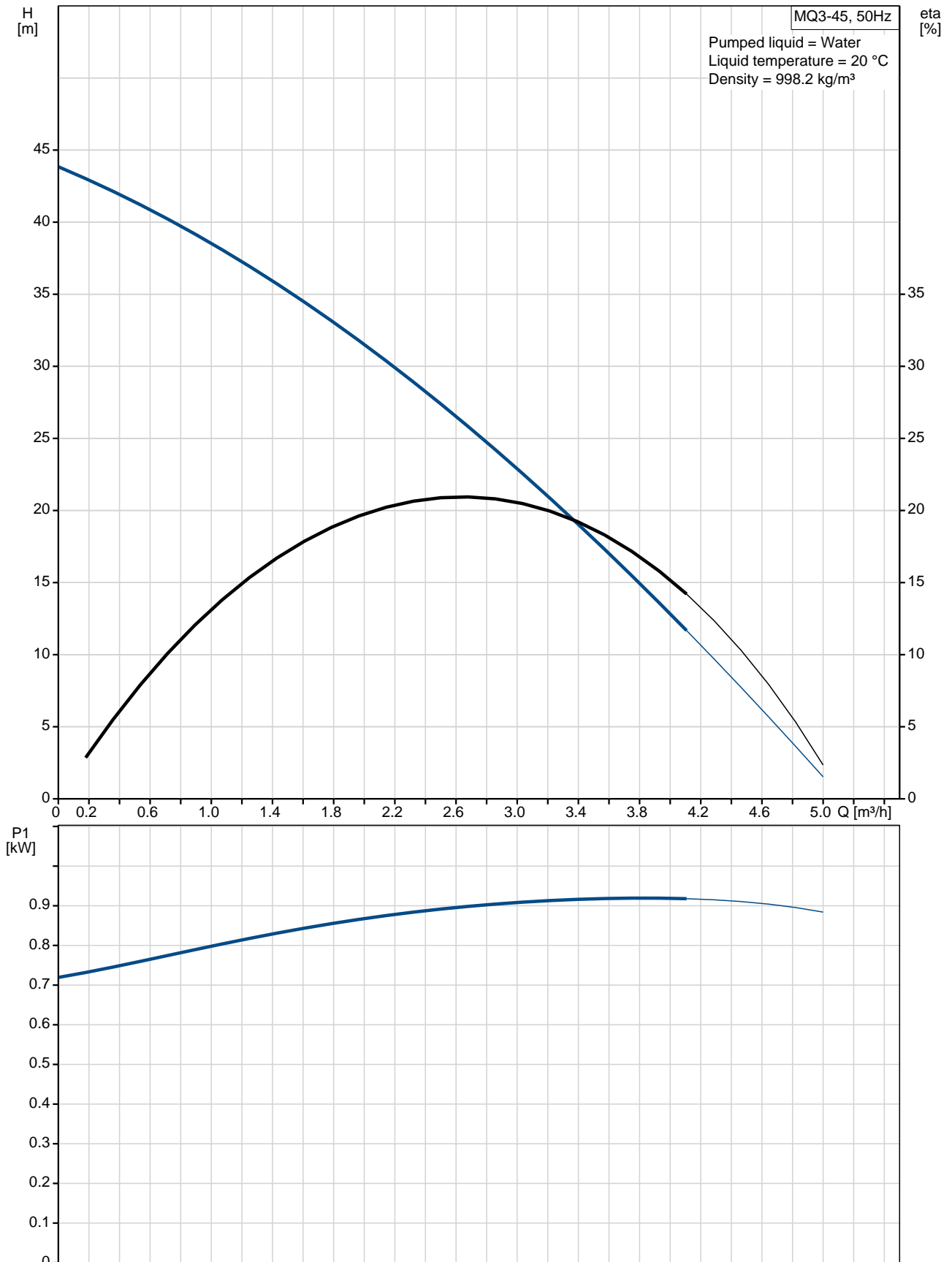


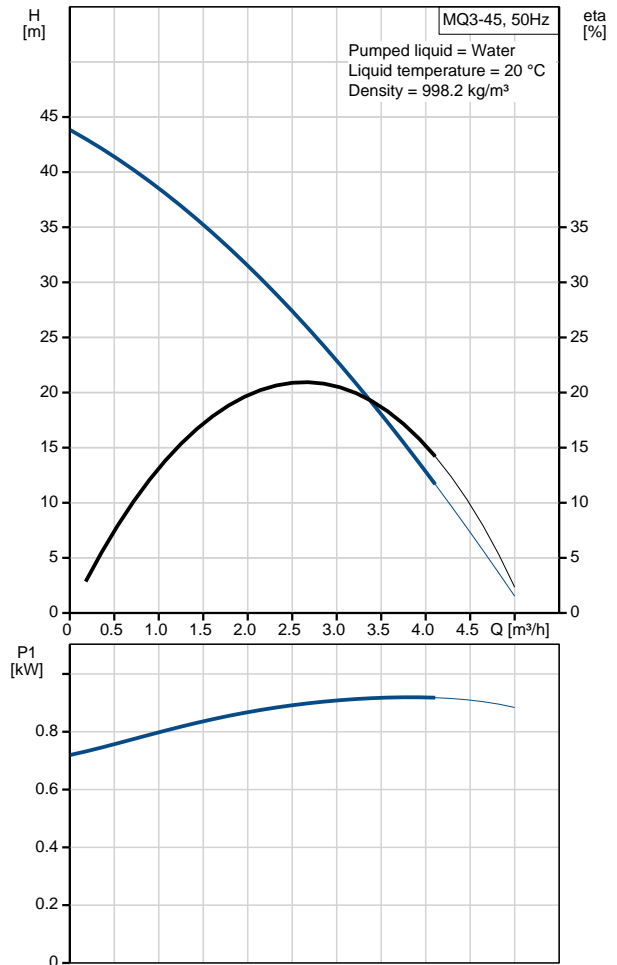
Position	Qty.	Description						
	1	<p data-bbox="320 340 566 369"><b>MQ3-45 A-O-A-BVBP</b></p> <div data-bbox="352 432 671 663">  </div> <p data-bbox="710 680 1193 705" style="text-align: center;"><b>Note! Product picture may differ from actual product</b></p> <p data-bbox="320 712 587 741">Product No.: <a href="#">96607288</a></p> <p data-bbox="320 772 512 801"><b>Complete system</b> The MQ is a complete, all-in-one unit, incorporating pump, motor, diaphragm tank, pressure and flow sensor, controller and non-return valve. The controller ensures that the pump starts automatically when water is consumed and stops automatically when the consumption ceases. In addition, the controller protects the pump in case of faults.</p> <p data-bbox="320 976 440 1005"><b>Installation</b> Due to its compact design, the pump does not take up much space and is easy to install. No space around the pump is required.</p> <p data-bbox="320 1093 507 1122"><b>Simple operation</b> The pump features a user-friendly control panel with ON/OFF button and indicator lights for indication of the operational state of the pump.</p> <p data-bbox="320 1209 523 1238"><b>Self-priming pump</b> As it is self-priming, the MQ is able to pump water from a level below the pump. Provided it is filled with water, the pump is able to lift water from a depth of 8 m in less than 5 minutes. This facilitates installation and start-up of the pump and provides more reliable water supply in installations where there is a risk of dry running and leakages in suction hose or pipes.</p> <p data-bbox="320 1384 619 1413"><b>Built-in protective functions</b> If exposed to dry running or excessive temperature, for example in case of seizure or overload, the pump will stop automatically, thus preventing a motor burnout.</p> <p data-bbox="320 1500 496 1529"><b>Automatic reset</b> The pump features an automatic reset function. In case of dry running or similar alarm, the pump will stop. Restarting will be attempted every 30 minutes for a period of 24 hours. The reset function can be deactivated.</p> <p data-bbox="320 1646 491 1675"><b>Low noise level</b> Thanks to its hydraulic design and internal cooling, the pump is extremely low-noise, which makes it suitable for indoor as well as outdoor use.</p> <p data-bbox="320 1762 475 1792"><b>Pressure tank</b> The built-in pressure tank reduces the number of starts and stops in case of leakages in the pipe system, causing less wear on the pump.</p> <p data-bbox="320 1879 464 1908"><b>Maintenance</b> No maintenance of the pump is required.</p> <p data-bbox="320 1968 405 1998"><b>Liquid:</b></p> <table data-bbox="320 1998 790 2085"> <tr> <td>Pumped liquid:</td> <td>Water</td> </tr> <tr> <td>Liquid temperature range:</td> <td>0 .. 35 °C</td> </tr> <tr> <td>Liquid temp:</td> <td>20 °C</td> </tr> </table>	Pumped liquid:	Water	Liquid temperature range:	0 .. 35 °C	Liquid temp:	20 °C
Pumped liquid:	Water							
Liquid temperature range:	0 .. 35 °C							
Liquid temp:	20 °C							

Position	Qty.	Description
		<p>Density: 998.2 kg/m<sup>3</sup></p> <p><b>Technical:</b>            Rated flow: 3 m<sup>3</sup>/h            Rated head: 23 m            Primary shaft seal: BVBP            Approvals on nameplate: CE            Curve tolerance: ISO9906:2012 3B</p> <p><b>Materials:</b>            Pump housing: POM + 25% glass fibre            Impeller: PPO + 20% glass fibre-PTFE</p> <p><b>Installation:</b>            Range of ambient temperature: 0 .. 45 °C            Maximum operating pressure: 7.5 bar            Pipe connection: G1</p> <p><b>Electrical data:</b>            Power input - P1: 1000 W            Mains frequency: 50 Hz            Rated voltage: 1 x 220-240 V            Rated current: 4.5 A            Enclosure class (IEC 34-5): IP54            Insulation class (IEC 85): B            Length of cable: 2 m            Type of cable plug: NONE</p> <p><b>Others:</b>            Net weight: 13 kg            Gross weight: 15.5 kg            Shipping volume: 0.055 m<sup>3</sup></p>

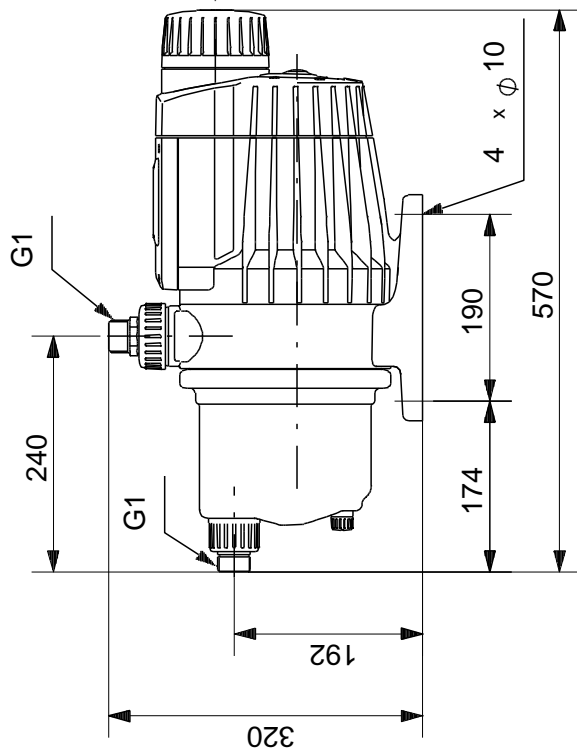
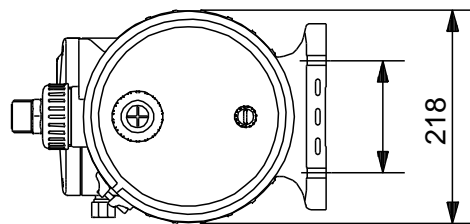
## 96607288 MQ3-45 50 Hz



Description	Value
<b>General information:</b>	
Product name:	MQ3-45 A-O-A-BVBP
Product No:	96607288
EAN number:	5700832231546
Price:	On request
<b>Technical:</b>	
Rated flow:	3 m <sup>3</sup> /h
Rated head:	23 m
Head max:	45 m
Primary shaft seal:	BVBP
Approvals on nameplate:	CE
Curve tolerance:	ISO9906:2012 3B
Pump version:	A
Model:	B
<b>Materials:</b>	
Pump housing:	POM + 25% glass fibre
Impeller:	PPO + 20% glass fibre-PTFE
Material code:	A
<b>Installation:</b>	
Range of ambient temperature:	0 .. 45 °C
Maximum operating pressure:	7.5 bar
Connect code:	O
Pipe connection:	G1
<b>Liquid:</b>	
Pumped liquid:	Water
Liquid temperature range:	0 .. 35 °C
Liquid temp:	20 °C
Density:	998.2 kg/m <sup>3</sup>
<b>Electrical data:</b>	
Power input - P1:	1000 W
Mains frequency:	50 Hz
Rated voltage:	1 x 220-240 V
Rated current:	4.5 A
Enclosure class (IEC 34-5):	IP54
Insulation class (IEC 85):	B
Length of cable:	2 m
Type of cable plug:	NONE
<b>Controls:</b>	
Switch:	on/off switch included
<b>Others:</b>	
Net weight:	13 kg
Gross weight:	15.5 kg
Shipping volume:	0.055 m <sup>3</sup>
Sales region:	Great Britain

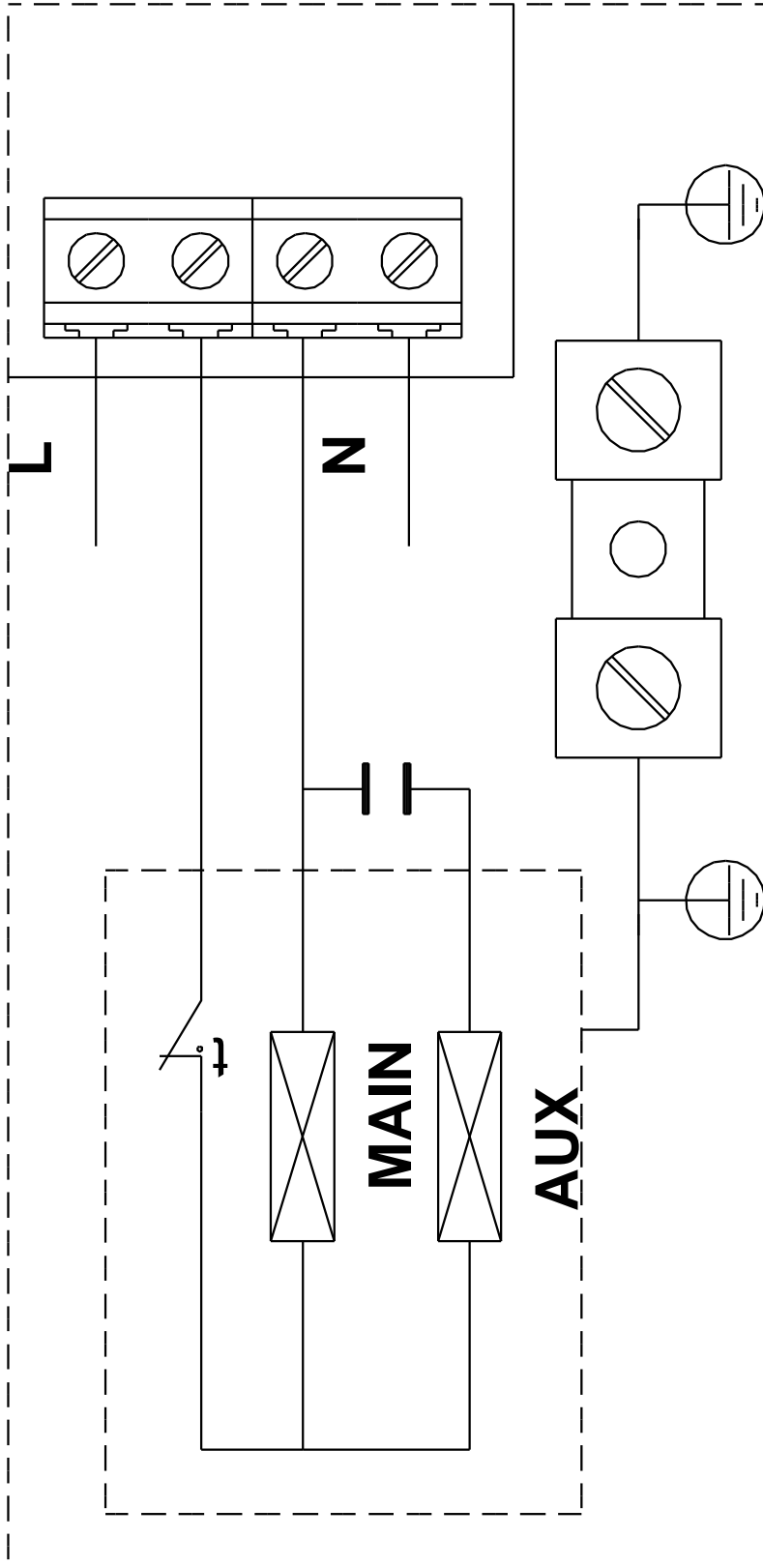


## 96607288 MQ3-45 50 Hz



Note! All units are in [mm] unless others are stated.  
Disclaimer: This simplified dimensional drawing does not show all details.

## 96607288 MQ3-45 50 Hz



Note! All units are in [mm] unless others are stated.