
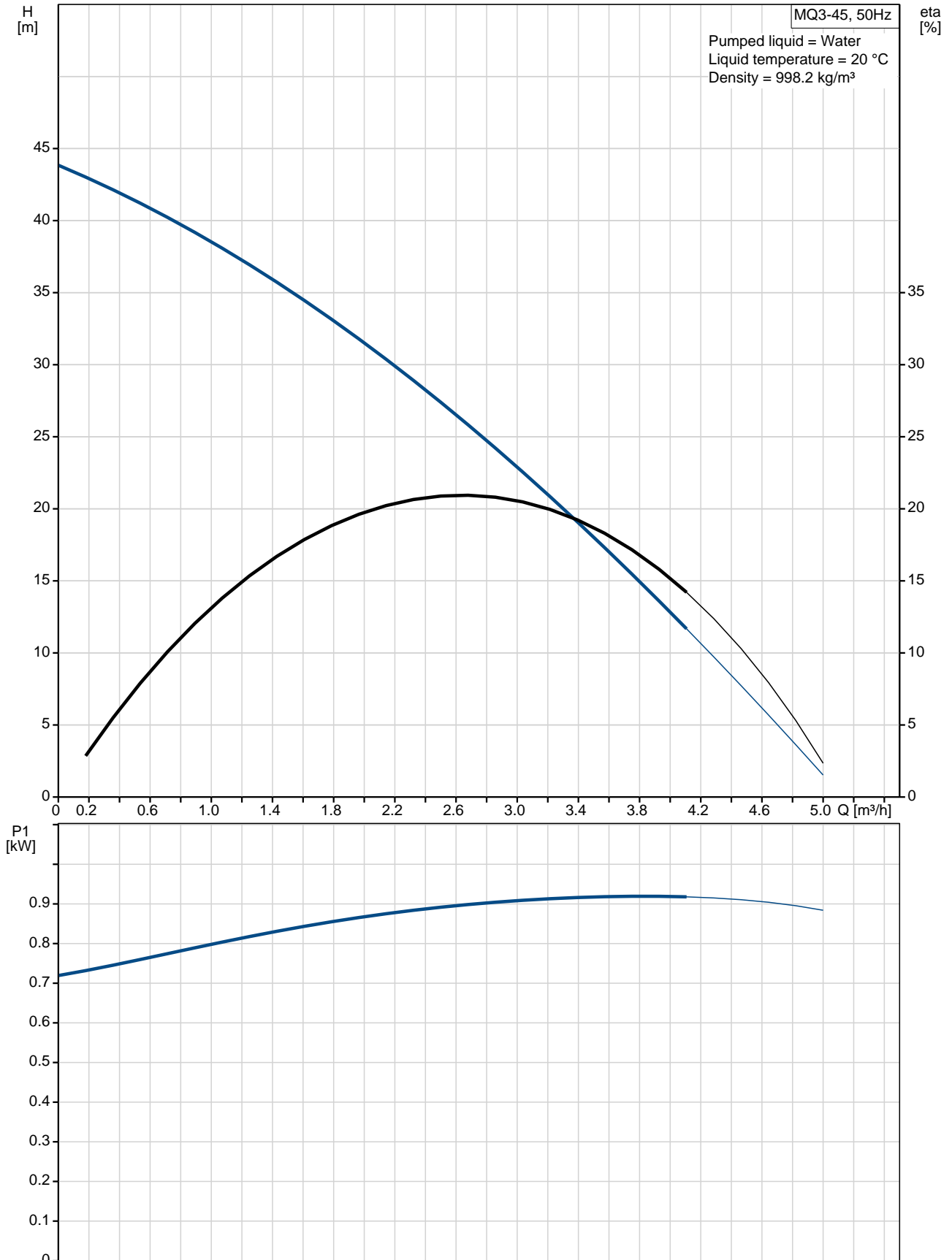


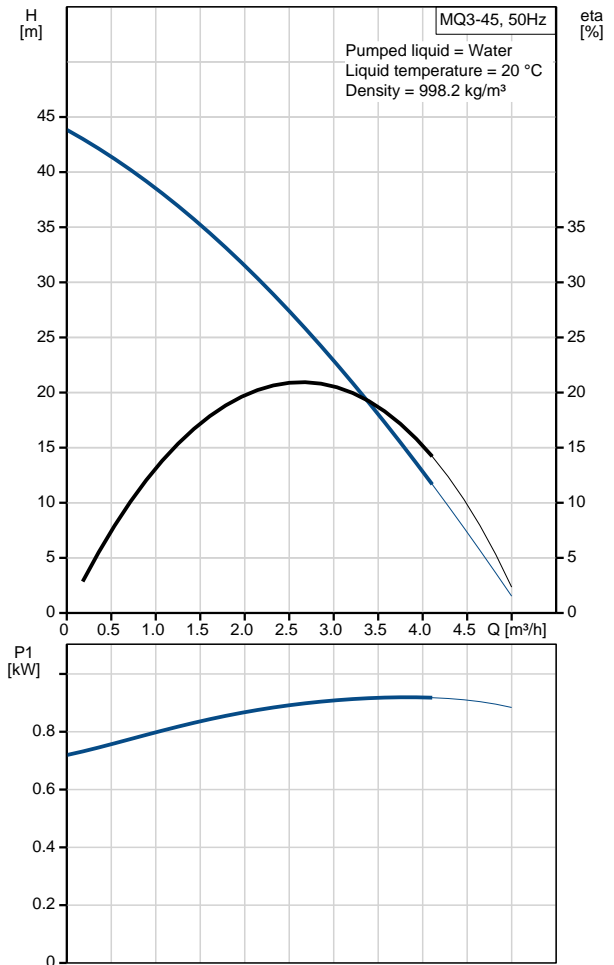
Position	Qty.	Description						
	1	<p>MQ3-45 A-O-A-BVBP</p>  <p style="text-align: center;">Note! Product picture may differ from actual product</p> <p>Product No.: 96607288</p> <p>Complete system The MQ is a complete, all-in-one unit, incorporating pump, motor, diaphragm tank, pressure and flow sensor, controller and non-return valve. The controller ensures that the pump starts automatically when water is consumed and stops automatically when the consumption ceases. In addition, the controller protects the pump in case of faults.</p> <p>Installation Due to its compact design, the pump does not take up much space and is easy to install. No space around the pump is required.</p> <p>Simple operation The pump features a user-friendly control panel with ON/OFF button and indicator lights for indication of the operational state of the pump.</p> <p>Self-priming pump As it is self-priming, the MQ is able to pump water from a level below the pump. Provided it is filled with water, the pump is able to lift water from a depth of 8 m in less than 5 minutes. This facilitates installation and start-up of the pump and provides more reliable water supply in installations where there is a risk of dry running and leakages in suction hose or pipes.</p> <p>Built-in protective functions If exposed to dry running or excessive temperature, for example in case of seizure or overload, the pump will stop automatically, thus preventing a motor burnout.</p> <p>Automatic reset The pump features an automatic reset function. In case of dry running or similar alarm, the pump will stop. Restarting will be attempted every 30 minutes for a period of 24 hours. The reset function can be deactivated.</p> <p>Low noise level Thanks to its hydraulic design and internal cooling, the pump is extremely low-noise, which makes it suitable for indoor as well as outdoor use.</p> <p>Pressure tank The built-in pressure tank reduces the number of starts and stops in case of leakages in the pipe system, causing less wear on the pump.</p> <p>Maintenance No maintenance of the pump is required.</p> <p>Liquid:</p> <table> <tr> <td>Pumped liquid:</td> <td>Water</td> </tr> <tr> <td>Liquid temperature range:</td> <td>0 .. 35 °C</td> </tr> <tr> <td>Liquid temp:</td> <td>20 °C</td> </tr> </table>	Pumped liquid:	Water	Liquid temperature range:	0 .. 35 °C	Liquid temp:	20 °C
Pumped liquid:	Water							
Liquid temperature range:	0 .. 35 °C							
Liquid temp:	20 °C							

Position	Qty.	Description
		<p>Density: 998.2 kg/m³</p> <p>Technical: Rated flow: 3 m³/h Rated head: 23 m Primary shaft seal: BVBP Approvals on nameplate: CE Curve tolerance: ISO9906:2012 3B</p> <p>Materials: Pump housing: POM + 25% glass fibre Impeller: PPO + 20% glass fibre-PTFE</p> <p>Installation: Range of ambient temperature: 0 .. 45 °C Maximum operating pressure: 7.5 bar Pipe connection: G1</p> <p>Electrical data: Power input - P1: 1000 W Mains frequency: 50 Hz Rated voltage: 1 x 220-240 V Rated current: 4.5 A Enclosure class (IEC 34-5): IP54 Insulation class (IEC 85): B Length of cable: 2 m Type of cable plug: NONE</p> <p>Others: Net weight: 13 kg Gross weight: 15.5 kg Shipping volume: 0.055 m³</p>

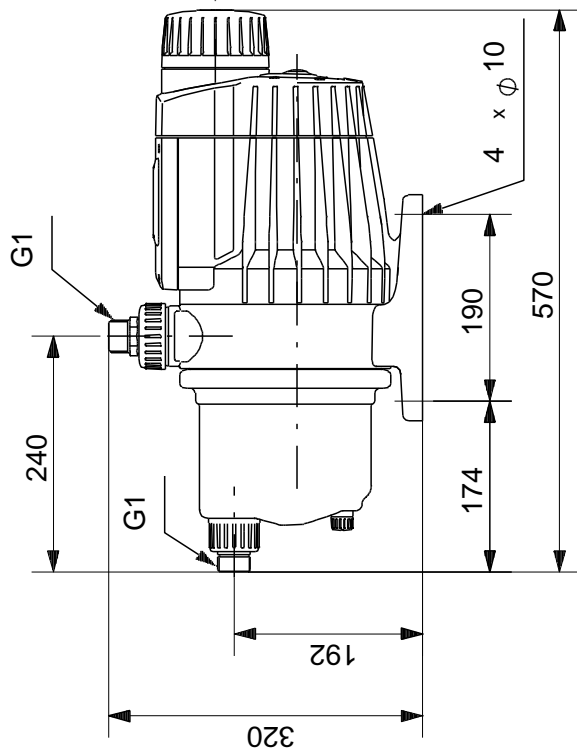
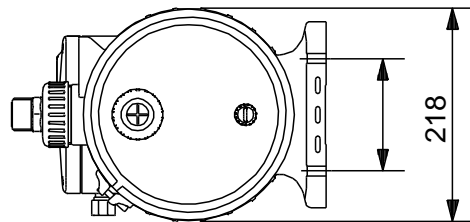
96607288 MQ3-45 50 Hz



Description	Value
General information:	
Product name:	MQ3-45 A-O-A-BVBP
Product No:	96607288
EAN number:	5700832231546
Price:	On request
Technical:	
Rated flow:	3 m ³ /h
Rated head:	23 m
Head max:	45 m
Primary shaft seal:	BVBP
Approvals on nameplate:	CE
Curve tolerance:	ISO9906:2012 3B
Pump version:	A
Model:	B
Materials:	
Pump housing:	POM + 25% glass fibre
Impeller:	PPO + 20% glass fibre-PTFE
Material code:	A
Installation:	
Range of ambient temperature:	0 .. 45 °C
Maximum operating pressure:	7.5 bar
Connect code:	O
Pipe connection:	G1
Liquid:	
Pumped liquid:	Water
Liquid temperature range:	0 .. 35 °C
Liquid temp:	20 °C
Density:	998.2 kg/m ³
Electrical data:	
Power input - P1:	1000 W
Mains frequency:	50 Hz
Rated voltage:	1 x 220-240 V
Rated current:	4.5 A
Enclosure class (IEC 34-5):	IP54
Insulation class (IEC 85):	B
Length of cable:	2 m
Type of cable plug:	NONE
Controls:	
Switch:	on/off switch included
Others:	
Net weight:	13 kg
Gross weight:	15.5 kg
Shipping volume:	0.055 m ³
Sales region:	Great Britain

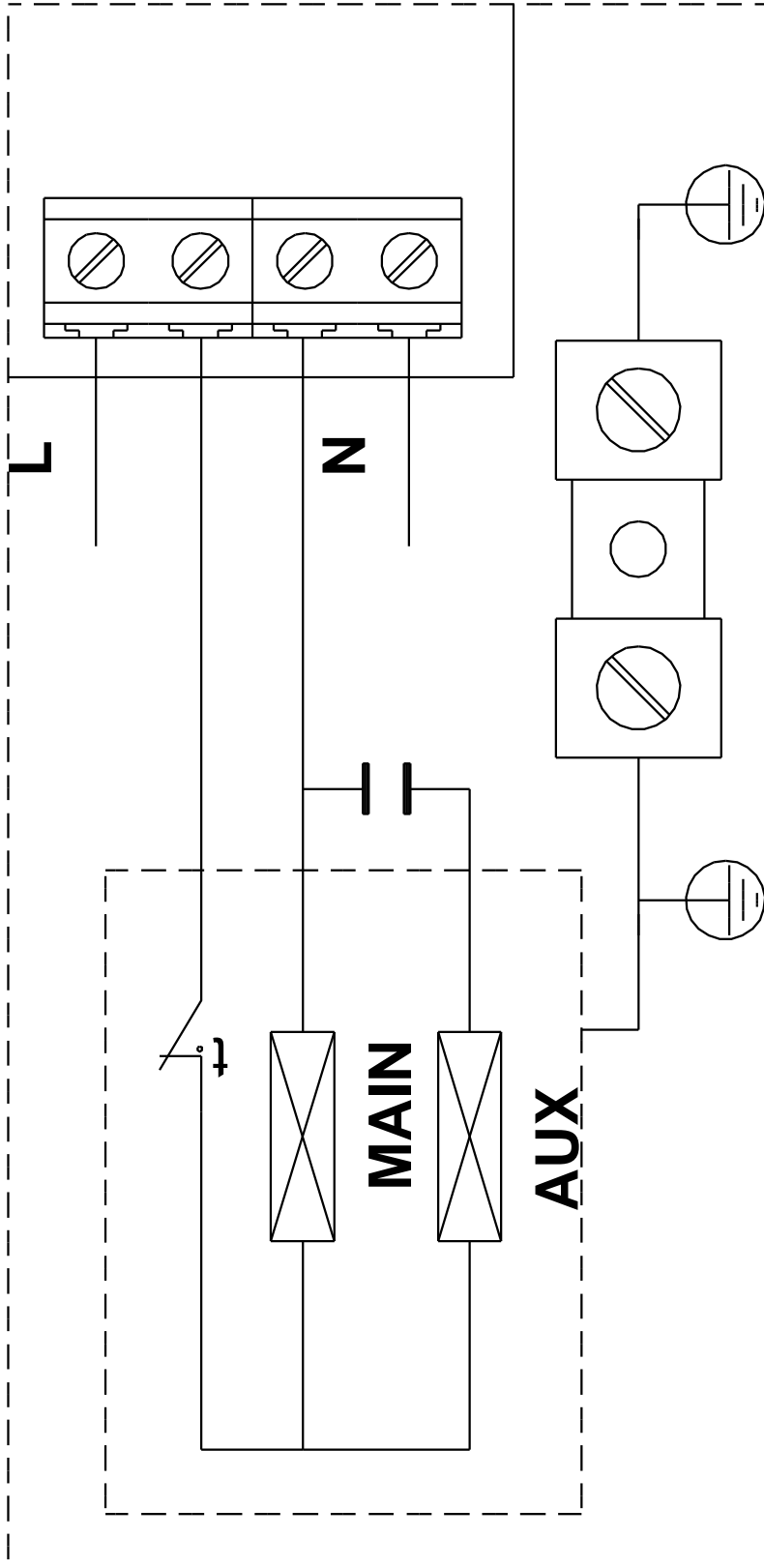


96607288 MQ3-45 50 Hz



Note! All units are in [mm] unless others are stated.
Disclaimer: This simplified dimensional drawing does not show all details.

96607288 MQ3-45 50 Hz



Note! All units are in [mm] unless others are stated.