


Qty.	Description
1	<p data-bbox="199 336 654 369"><b>GT-U-800 PN10 G11/2 V (coated flange)</b></p> <div data-bbox="343 380 438 638" style="text-align: center;">  </div> <p data-bbox="199 660 470 694">Product No.: <a href="#">96603452</a></p> <p data-bbox="199 716 1452 795">Grundfos GT-U-800 PN10 G11/2 V (coated flange) is a Bladder pressure tank, with a capacity of 800.0 l and Vertical installation. The tanks are approved for drinking water. The GT-U-800 PN10 G11/2 V (coated flange) is designed for a maximum operation pressure of 10 bar and a maximum liquid temperature of 70 °C.</p> <p data-bbox="199 828 1364 884">The tank is a steel pressure tank with a replaceable, non-toxic butyl rubber bladder enclosed by compressed nitrogen.</p> <p data-bbox="199 1008 1460 1064">The diaphragm is a chlorine-resistant 100 % butyl diaphragm with a precision-moulded copolymer polypropylene liner for superior air and water separation.</p> <p data-bbox="199 1064 1452 1153">The tank has a FlowThru connection, which constantly flushes the tank while the pump is running. This ensures that the water in the tank remains fresh and eliminates the risk of stagnant water during normal system operation.</p> <p data-bbox="199 1209 1460 1265">The diaphragm is a chlorine-resistant 100 % butyl diaphragm with a precision-moulded copolymer polypropylene liner for superior air and water separation.</p> <p data-bbox="199 1265 1452 1355">The tank has a FlowThru connection, which constantly flushes the tank while the pump is running. This ensures that the water in the tank remains fresh and eliminates the risk of stagnant water during normal system operation.</p> <p data-bbox="199 1388 1292 1512">The tanks have a non-replaceable diaphragm that is pre-charged with nitrogen (1.5 bar). The tanks have a non-toxic butyl rubber diaphragm, dividing the tank chamber into two compartments. The upper compartment contains compressed nitrogen. The lower compartment has a liner of polypropylene (PP) and is filled with water from the pump.</p> <p data-bbox="199 1534 1444 1590">A pressure tank ensures controlled pressure in the water supply and thereby limits the switching frequency of the pump in case of low water consumption or leakage loss.</p> <p data-bbox="199 1590 1444 1668">The result is increased comfort in your installation by limiting the start/stop frequency of your pump, and it increases system comfort by compensating for pressure drops when a tap is opened, while reducing problems with water hammer in the pipework.</p> <p data-bbox="199 1736 638 1803">Liquid: Maximum liquid temperature: 70 °C</p> <p data-bbox="199 1825 654 1915">Technical: Membrane type: Bladder Maximum used volume: 600 l</p> <p data-bbox="199 1937 710 2004">Materials: Basic: Carbon steel</p> <p data-bbox="199 2027 638 2094">Installation: Maximum operating pressure: 10 bar</p>



Company name:

Created by:

Phone:

Date:

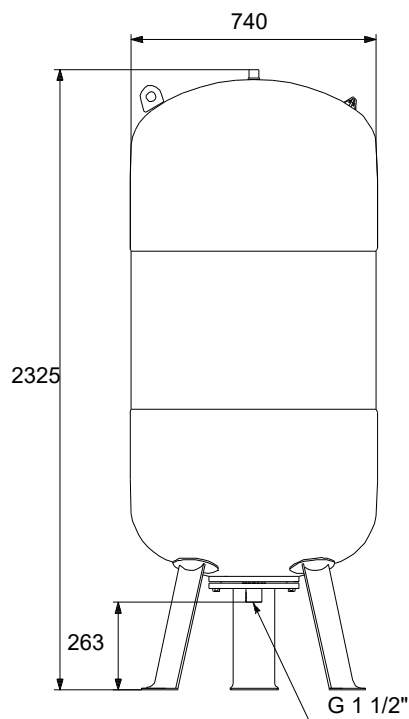
01/10/2021

Qty.	Description
------	-------------

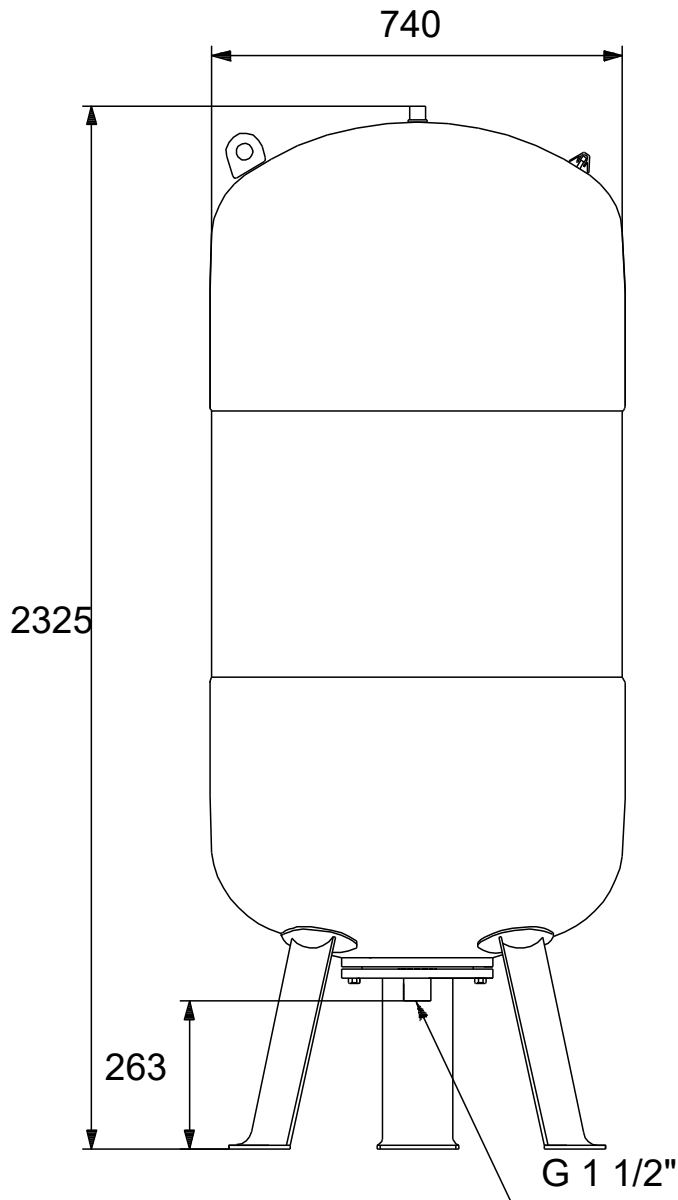
	Type of connection: G
	Size of connection: 1 1/2 inch
	Size: 800.0

	Others:
	Net weight: 176 kg
	Gross weight: 188 kg
	Applicat. typ: Standard
	Norwegian NRF no.: 8402827
	Country of origin: PL
	Custom tariff no.: 73090030

Description	Value
<b>General information:</b>	
Product name:	GT-U-800 PN10 G1 1/2 V (coated flange)
Product No:	<a href="#">96603452</a>
EAN number:	5700832104536
Price:	GBP 3605
<b>Technical:</b>	
Membrane type:	Bladder
Maximum used volume:	600 l
<b>Materials:</b>	
Basic:	Carbon steel
<b>Installation:</b>	
Maximum operating pressure:	10 bar
Pre-pressure:	4 bar
Type of connection:	G
Size of connection:	1 1/2 inch
Installation:	Vertical
Size:	800.0
<b>Liquid:</b>	
Maximum liquid temperature:	70 °C
<b>Others:</b>	
Net weight:	176 kg
Gross weight:	188 kg
Applicat. typ:	Standard
Norwegian NRF no.:	8402827
Country of origin:	PL
Custom tariff no.:	73090030



**96603452 GT-U-800 PN10 G1 1/2 V (coated flange)**



Note! All units are in [mm] unless others are stated.  
Disclaimer: This simplified dimensional drawing does not show all details.