


Qty.	Description
1	<p data-bbox="199 338 659 371">GT-U-600 PN 10 G11/2 V (coated flange)</p> <div data-bbox="343 392 438 627" style="text-align: center;">  </div> <p data-bbox="199 660 462 689">Product No.: 96603451</p> <p data-bbox="199 719 1453 792">Grundfos GT-U-600 PN 10 G11/2 V (coated flange) is a Bladder pressure tank, with a capacity of 600.0 l and Vertical installation. The tanks are approved for drinking water. The GT-U-600 PN 10 G11/2 V (coated flange) is designed for a maximum operation pressure of 10 bar and a maximum liquid temperature of 70 °C.</p> <p data-bbox="199 835 1361 887">The tank is a steel pressure tank with a replaceable, non-toxic butyl rubber bladder enclosed by compressed nitrogen.</p> <p data-bbox="199 1010 1453 1061">The diaphragm is a chlorine-resistant 100 % butyl diaphragm with a precision-moulded copolymer polypropylene liner for superior air and water separation.</p> <p data-bbox="199 1070 1442 1149">The tank has a FlowThru connection, which constantly flushes the tank while the pump is running. This ensures that the water in the tank remains fresh and eliminates the risk of stagnant water during normal system operation.</p> <p data-bbox="199 1218 1453 1270">The diaphragm is a chlorine-resistant 100 % butyl diaphragm with a precision-moulded copolymer polypropylene liner for superior air and water separation.</p> <p data-bbox="199 1279 1442 1357">The tank has a FlowThru connection, which constantly flushes the tank while the pump is running. This ensures that the water in the tank remains fresh and eliminates the risk of stagnant water during normal system operation.</p> <p data-bbox="199 1395 1294 1509">The tanks have a non-replaceable diaphragm that is pre-charged with nitrogen (1.5 bar). The tanks have a non-toxic butyl rubber diaphragm, dividing the tank chamber into two compartments. The upper compartment contains compressed nitrogen. The lower compartment has a liner of polypropylene (PP) and is filled with water from the pump.</p> <p data-bbox="199 1543 1437 1673">A pressure tank ensures controlled pressure in the water supply and thereby limits the switching frequency of the pump in case of low water consumption or leakage loss. The result is increased comfort in your installation by limiting the start/stop frequency of your pump, and it increases system comfort by compensating for pressure drops when a tap is opened, while reducing problems with water hammer in the pipework.</p> <p data-bbox="199 1744 628 1800">Liquid: Maximum liquid temperature: 70 °C</p> <p data-bbox="199 1834 651 1917">Technical: Membrane type: Bladder Maximum used volume: 450 l</p> <p data-bbox="199 1951 703 2007">Materials: Basic: Carbon steel</p> <p data-bbox="199 2040 636 2096">Installation: Maximum operating pressure: 10 bar</p>



Company name:

Created by:

Phone:

Date:

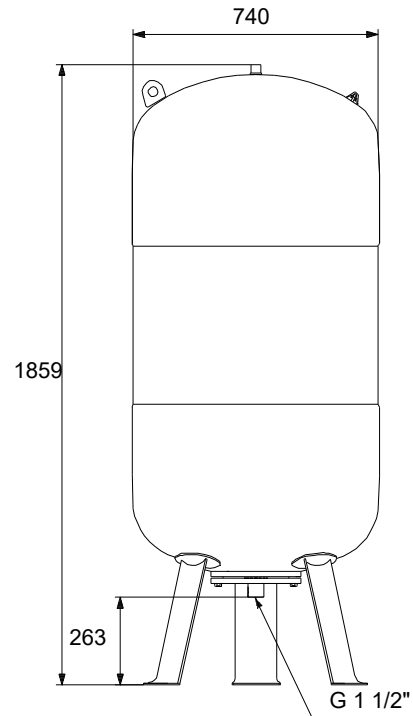
01/10/2021

Qty.	Description
------	-------------

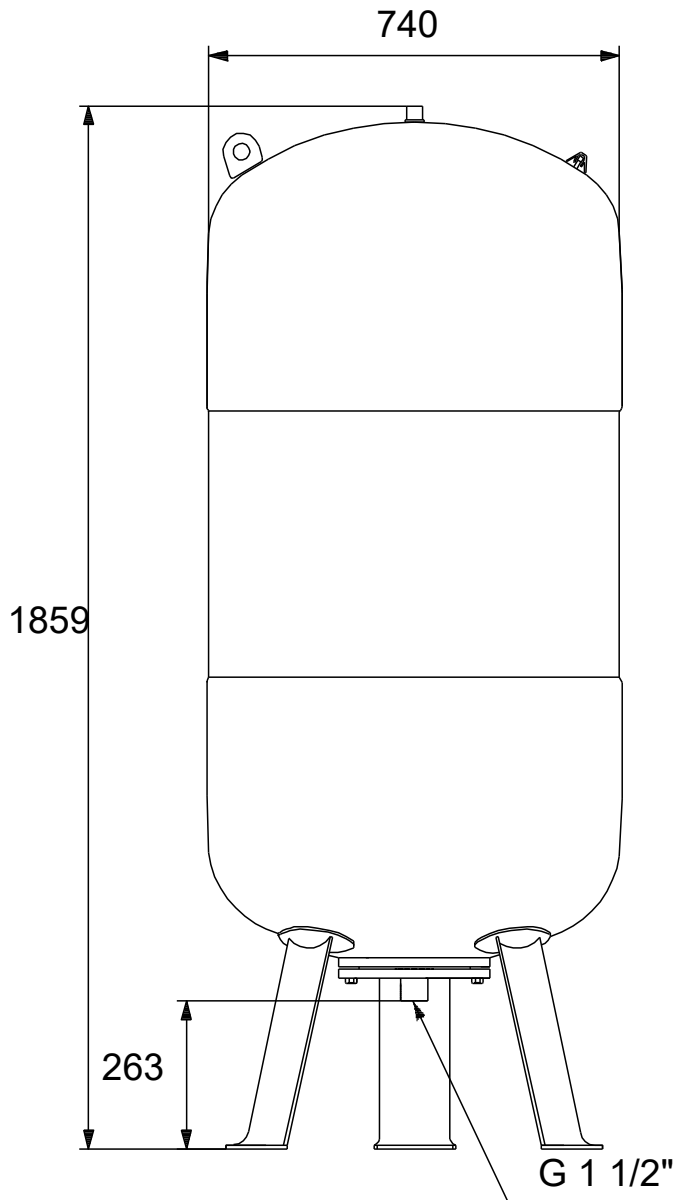
Type of connection:	G
Size of connection:	1 1/2 inch
Size:	600.0

Others:	
Net weight:	128 kg
Gross weight:	140 kg
Applicat. typ:	Standard
Country of origin:	PL
Custom tariff no.:	73090030

Description	Value
General information:	
Product name:	GT-U-600 PN 10 G11/2 V (coated flange)
Product No:	96603451
EAN number:	5700832104529
Price:	GBP 2977
Technical:	
Membrane type:	Bladder
Maximum used volume:	450 l
Materials:	
Basic:	Carbon steel
Installation:	
Maximum operating pressure:	10 bar
Pre-pressure:	4 bar
Type of connection:	G
Size of connection:	1 1/2 inch
Installation:	Vertical
Size:	600.0
Liquid:	
Maximum liquid temperature:	70 °C
Others:	
Net weight:	128 kg
Gross weight:	140 kg
Applicat. typ:	Standard
Country of origin:	PL
Custom tariff no.:	73090030



96603451 GT-U-600 PN 10 G11/2 V (coated flange)



Note! All units are in [mm] unless others are stated.
Disclaimer: This simplified dimensional drawing does not show all details.