

Qty.	Description
1	<p data-bbox="199 336 678 369"><b>GT-U-4000 PN16 DN150 V (coated flange)</b></p> <div data-bbox="331 392 448 622" data-label="Image"> </div> <p data-bbox="199 660 470 683">Product No.: <a href="#">96603432</a></p> <p data-bbox="199 716 1412 795">Grundfos GT-U-4000 PN16 DN150 V (coated flange) is a Bladder pressure tank, with a capacity of 4000.0 l and Vertical installation. The tanks are approved for drinking water. The GT-U-4000 PN16 DN150 V (coated flange) is designed for a maximum operation pressure of 16 bar and a maximum liquid temperature of 70 °C.</p> <p data-bbox="199 828 1364 884">The tank is a steel pressure tank with a replaceable, non-toxic butyl rubber bladder enclosed by compressed nitrogen.</p> <p data-bbox="199 1008 1460 1064">The diaphragm is a chlorine-resistant 100 % butyl diaphragm with a precision-moulded copolymer polypropylene liner for superior air and water separation.</p> <p data-bbox="199 1064 1444 1153">The tank has a FlowThru connection, which constantly flushes the tank while the pump is running. This ensures that the water in the tank remains fresh and eliminates the risk of stagnant water during normal system operation.</p> <p data-bbox="199 1209 1460 1265">The diaphragm is a chlorine-resistant 100 % butyl diaphragm with a precision-moulded copolymer polypropylene liner for superior air and water separation.</p> <p data-bbox="199 1265 1444 1355">The tank has a FlowThru connection, which constantly flushes the tank while the pump is running. This ensures that the water in the tank remains fresh and eliminates the risk of stagnant water during normal system operation.</p> <p data-bbox="199 1388 1292 1512">The tanks have a non-replaceable diaphragm that is pre-charged with nitrogen (1.5 bar). The tanks have a non-toxic butyl rubber diaphragm, dividing the tank chamber into two compartments. The upper compartment contains compressed nitrogen. The lower compartment has a liner of polypropylene (PP) and is filled with water from the pump.</p> <p data-bbox="199 1534 1444 1668">A pressure tank ensures controlled pressure in the water supply and thereby limits the switching frequency of the pump in case of low water consumption or leakage loss. The result is increased comfort in your installation by limiting the start/stop frequency of your pump, and it increases system comfort by compensating for pressure drops when a tap is opened, while reducing problems with water hammer in the pipework.</p> <p data-bbox="199 1736 630 1803">Liquid: Maximum liquid temperature: 70 °C</p> <p data-bbox="199 1825 654 1915">Technical: Membrane type: Bladder Maximum used volume: 3200 l</p> <p data-bbox="199 1937 710 2004">Materials: Basic: Carbon steel</p> <p data-bbox="199 2027 638 2094">Installation: Maximum operating pressure: 16 bar</p>



Company name:

Created by:

Phone:

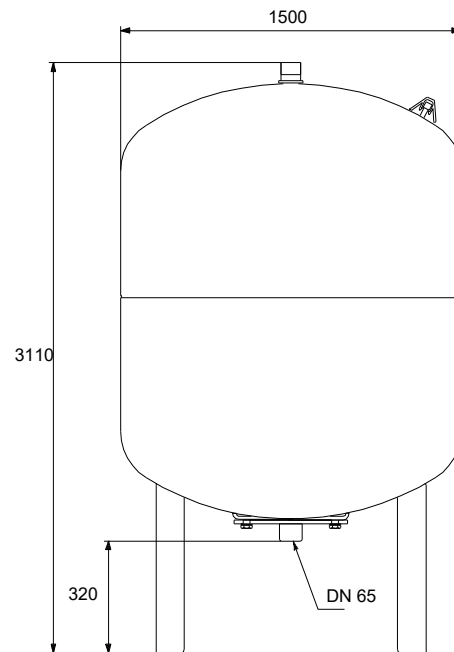
Date:

01/10/2021

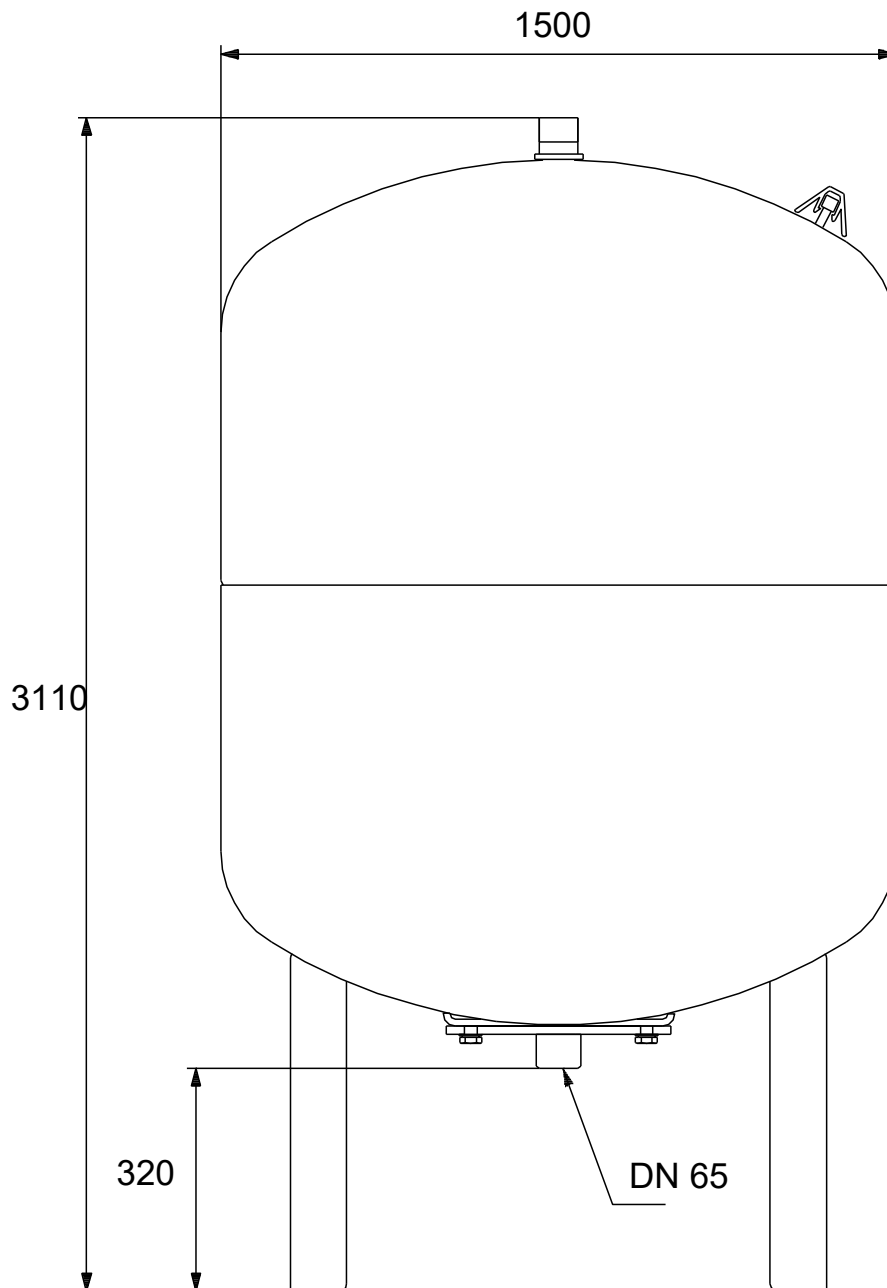
Qty.	Description
------	-------------

Type of connection:	DIN
Size of connection:	DN 65
Size:	4000.0
Others:	
Net weight:	1440 kg
Gross weight:	1500 kg
Applicat. typ:	Standard
Country of origin:	PL
Custom tariff no.:	73090030

Description	Value
<b>General information:</b>	
Product name:	GT-U-4000 PN16 DN150 V (coated flange)
Product No:	<a href="#">96603432</a>
EAN number:	5700832103942
<b>Technical:</b>	
Membrane type:	Bladder
Maximum used volume:	3200 l
<b>Materials:</b>	
Basic:	Carbon steel
<b>Installation:</b>	
Maximum operating pressure:	16 bar
Pre-pressure:	4 bar
Type of connection:	DIN
Size of connection:	DN 65
Installation:	Vertical
Size:	4000.0
<b>Liquid:</b>	
Maximum liquid temperature:	70 °C
<b>Others:</b>	
Net weight:	1440 kg
Gross weight:	1500 kg
Applicat. typ:	Standard
Country of origin:	PL
Custom tariff no.:	73090030



**96603432 GT-U-4000 PN16 DN150 V (coated flange)**



Note! All units are in [mm] unless others are stated.  
Disclaimer: This simplified dimensional drawing does not show all details.