

**Qty. Description**

1 **Product name:** GT-U-600, vertical, PN 16



Note! Product picture may differ from actual product

Product No.: [96603426](#)

Product No: 96603426

EAN number: 5700832103881

Price: GBP 3311

**Technical:**

Maximum used volume: 450 l

**Materials:**

Basic: Carbon steel

**Installation:**

Maximum operating pressure: 16 bar

Type of connection: G

Size of connection: 1 1/2 inch

Size: 600.0

**Liquid:**

Maximum liquid temperature: 70 °C

**Others:**

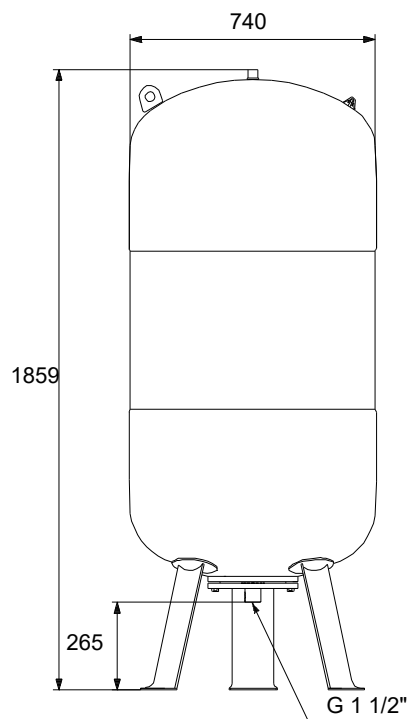
Net weight: 158 kg

Gross weight: 170 kg

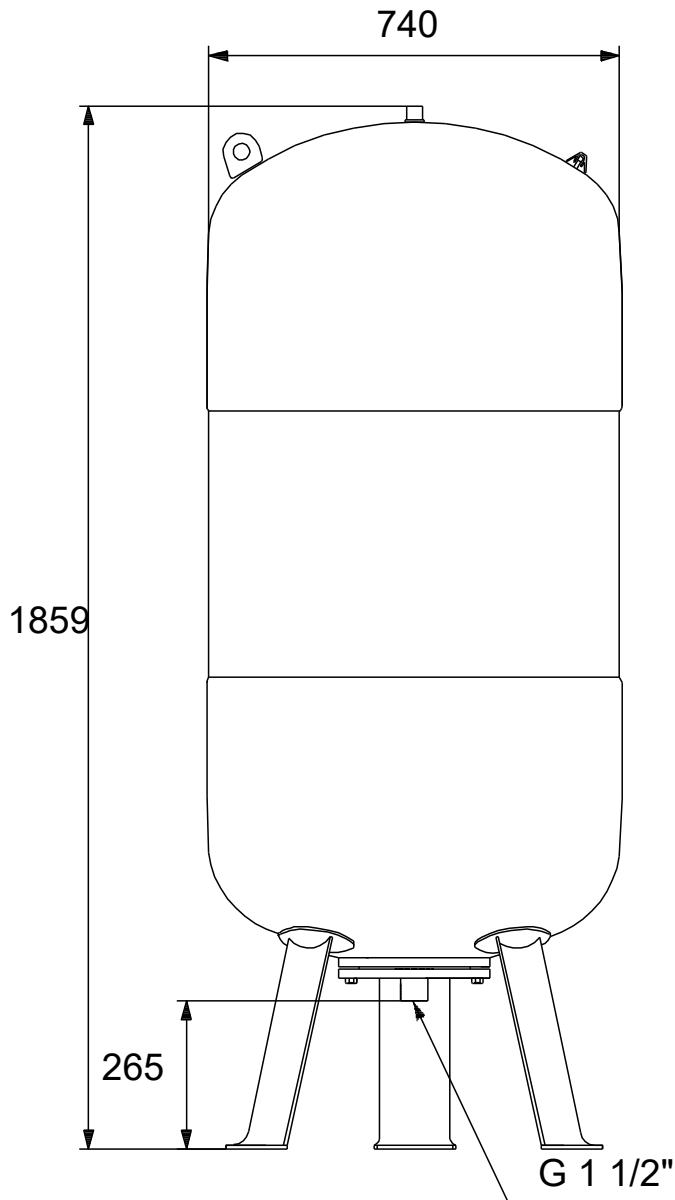
Country of origin: PL

Custom tariff no.: 85030099

Description	Value
<b>General information:</b>	
Product name:	GT-U-600, vertical, PN 16
Product No:	<a href="#">96603426</a>
EAN number:	5700832103881
Price:	GBP 3311
<b>Technical:</b>	
Maximum used volume:	450 l
<b>Materials:</b>	
Basic:	Carbon steel
<b>Installation:</b>	
Maximum operating pressure:	16 bar
Pre-pressure:	4 bar
Type of connection:	G
Size of connection:	1 1/2 inch
Installation:	Vertical
Size:	600.0
<b>Liquid:</b>	
Maximum liquid temperature:	70 °C
<b>Others:</b>	
Net weight:	158 kg
Gross weight:	170 kg
Country of origin:	PL
Custom tariff no.:	85030099



**96603426 GT-U-600, vertical, PN 16**



Note! All units are in [mm] unless others are stated.  
Disclaimer: This simplified dimensional drawing does not show all details.