

Qty. Description

1 GT-HR-140 PN6 R1 V



Product No.: [96573398](#)

Grundfos GT-HR-140 PN6 R1 V is a diaphragm pressure tank, with a capacity of 140.0 l and Vertical installation. The tanks are approved for drinking water. The GT-HR-140 PN6 R1 V is designed for a maximum operation pressure of 6 bar and a maximum liquid temperature of 90 °C.

The diaphragm is a chlorine-resistant 100 % butyl diaphragm with a precision-moulded copolymer polypropylene liner for superior air and water separation.

The tank has a FlowThru connection, which constantly flushes the tank while the pump is running.

This ensures that the water in the tank remains fresh and eliminates the risk of stagnant water during normal system operation.

The diaphragm is a chlorine-resistant 100 % butyl diaphragm with a precision-moulded copolymer polypropylene liner for superior air and water separation.

The tank has a FlowThru connection, which constantly flushes the tank while the pump is running.

This ensures that the water in the tank remains fresh and eliminates the risk of stagnant water during normal system operation.

The tank is a steel pressure tank with a non-replaceable rubber diaphragm for heating applications.

The tanks have a non-replaceable diaphragm that is pre-charged with nitrogen (1.5 bar).

The tanks have a non-toxic butyl rubber diaphragm, dividing the tank chamber into two compartments.

The upper compartment contains compressed nitrogen.

The lower compartment has a liner of polypropylene (PP) and is filled with water from the pump.

A pressure tank ensures controlled pressure in the water supply and thereby limits the switching frequency of the pump in case of low water consumption or leakage loss.

The result is increased comfort in your installation by limiting the start/stop frequency of your pump, and it increases system comfort by compensating for pressure drops when a tap is opened, while reducing problems with water hammer in the pipework.

Liquid:

Liquid max temp: 90 °C

Technical:

Membrane type: diaphragm

Materials:

Basic: Carbon steel

Installation:

Maximum operating pressure: 6 bar

Type of connection: R

Size of connection: 1 inch



Company name:

Created by:

Phone:

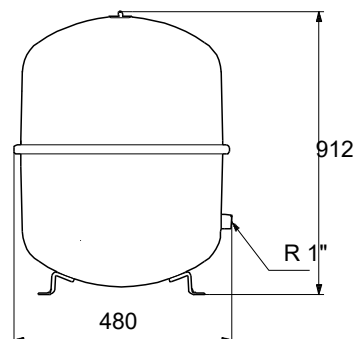
Date:

12/10/2021

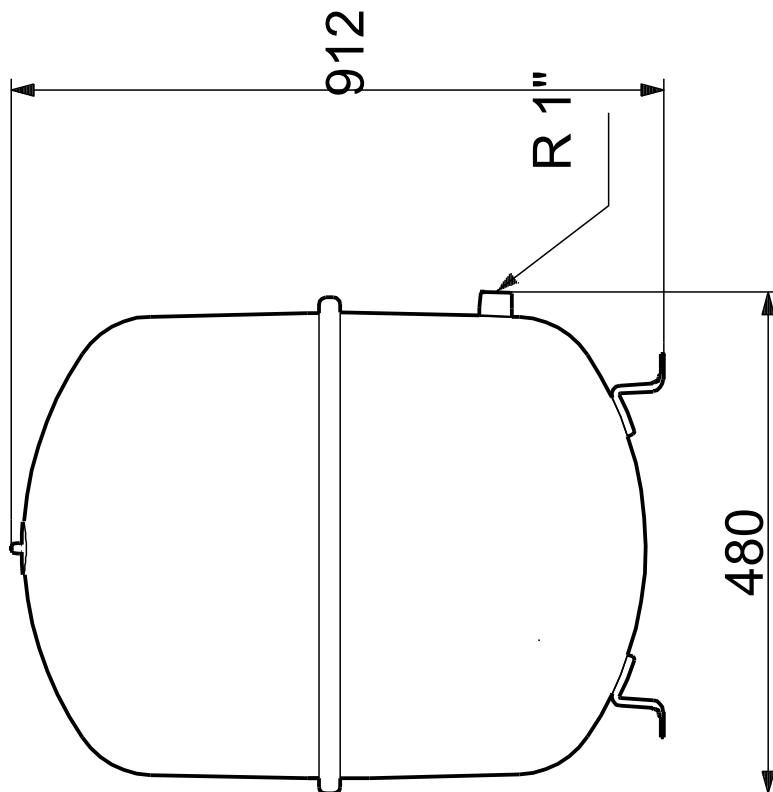
Qty.	Description
------	-------------

	Size: 140.0
	Others:
	Net weight: 13 kg
	Gross weight: 15 kg
	Applicat. typ: Heating standard
	Finnish LVI No.: 3413417
	Norwegian NRF no.: 8402722

Description	Value
General information:	
Product name:	GT-HR-140 PN6 R1 V
Product No:	96573398
EAN number:	5700830555118
Price:	
Technical:	
Membrane type:	diaphragm
Materials:	
Basic:	Carbon steel
Installation:	
Maximum operating pressure:	6 bar
Pre-pressure:	1.5 bar
Type of connection:	R
Size of connection:	1 inch
Installation:	Vertical
Size:	140.0
Liquid:	
Liquid max temp:	90 °C
Others:	
Net weight:	13 kg
Gross weight:	15 kg
Applicat. typ:	Heating standard
Finnish LVI No.:	3413417
Norwegian NRF no.:	8402722



96573398 GT-HR-140 PN6 R1 V



Note! All units are in [mm] unless others are stated.
Disclaimer: This simplified dimensional drawing does not show all details.