


Qty.	Description
1	<p data-bbox="199 336 446 369"><b>GT-HR-50 PN6 R3/4 V</b></p> <div data-bbox="316 425 462 604" style="text-align: center;">  </div> <p data-bbox="199 660 462 683">Product No.: <a href="#">96573395</a></p> <p data-bbox="199 716 1452 795">Grundfos GT-HR-50 PN6 R3/4 V is a diaphragm pressure tank, with a capacity of 50.0 l and Vertical installation. The tanks are approved for drinking water. The GT-HR-50 PN6 R3/4 V is designed for a maximum operation pressure of 6 bar and a maximum liquid temperature of 90 °C.</p> <p data-bbox="199 952 1460 1008">The diaphragm is a chlorine-resistant 100 % butyl diaphragm with a precision-moulded copolymer polypropylene liner for superior air and water separation.</p> <p data-bbox="199 1008 1244 1041">The tank has a FlowThru connection, which constantly flushes the tank while the pump is running.</p> <p data-bbox="199 1041 1452 1086">This ensures that the water in the tank remains fresh and eliminates the risk of stagnant water during normal system operation.</p> <p data-bbox="199 1153 1460 1209">The diaphragm is a chlorine-resistant 100 % butyl diaphragm with a precision-moulded copolymer polypropylene liner for superior air and water separation.</p> <p data-bbox="199 1209 1244 1243">The tank has a FlowThru connection, which constantly flushes the tank while the pump is running.</p> <p data-bbox="199 1243 1452 1288">This ensures that the water in the tank remains fresh and eliminates the risk of stagnant water during normal system operation.</p> <p data-bbox="199 1332 1260 1366">The tank is a steel pressure tank with a non-replaceable rubber diaphragm for heating applications.</p> <p data-bbox="199 1366 1149 1400">The tanks have a non-replaceable diaphragm that is pre-charged with nitrogen (1.5 bar).</p> <p data-bbox="199 1400 1292 1433">The tanks have a non-toxic butyl rubber diaphragm, dividing the tank chamber into two compartments.</p> <p data-bbox="199 1433 798 1467">The upper compartment contains compressed nitrogen.</p> <p data-bbox="199 1467 1228 1500">The lower compartment has a liner of polypropylene (PP) and is filled with water from the pump.</p> <p data-bbox="199 1512 1412 1568">A pressure tank ensures controlled pressure in the water supply and thereby limits the switching frequency of the pump in case of low water consumption or leakage loss.</p> <p data-bbox="199 1568 1444 1646">The result is increased comfort in your installation by limiting the start/stop frequency of your pump, and it increases system comfort by compensating for pressure drops when a tap is opened, while reducing problems with water hammer in the pipework.</p> <p data-bbox="199 1713 638 1780">Liquid: Liquid max temp: 90 °C</p> <p data-bbox="199 1803 686 1870">Technical: Membrane type: diaphragm</p> <p data-bbox="199 1892 710 1960">Materials: Basic: Carbon steel</p> <p data-bbox="199 1982 654 2105">Installation: Maximum operating pressure: 6 bar Type of connection: R Size of connection: 3/4 inch</p>



Company name:

Created by:

Phone:

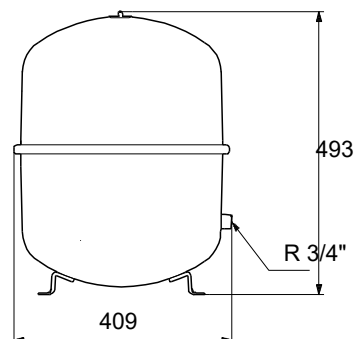
Date:

12/10/2021

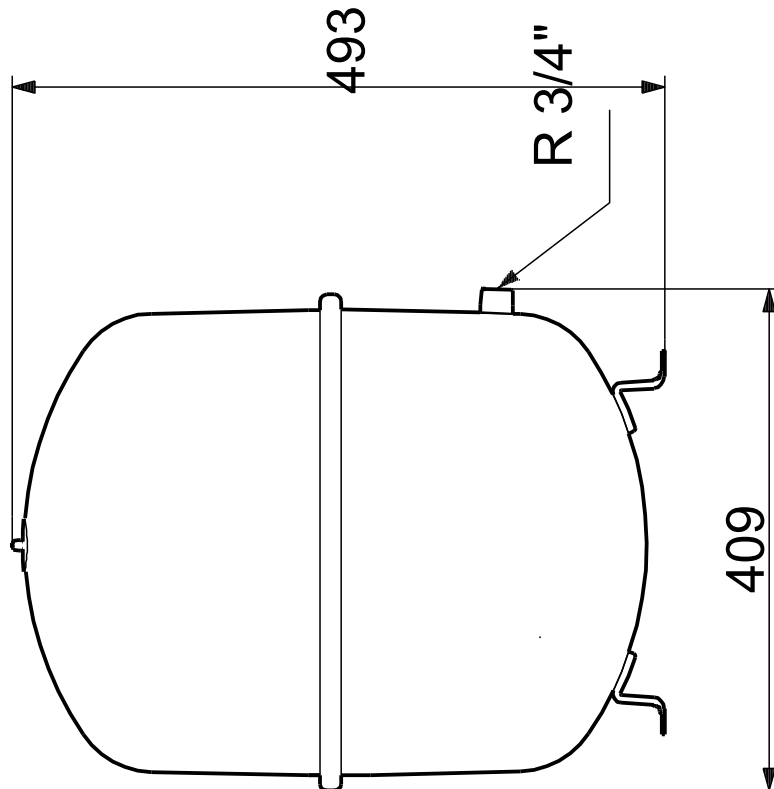
Qty.	Description
------	-------------

	Size: 50.0
	Others:
	Net weight: 9.6 kg
	Gross weight: 10.8 kg
	Applicat. typ: Heating standard
	Finnish LVI No.: 3413414
	Norwegian NRF no.: 8402715
	Country of origin: PL
	Custom tariff no.: 73101000

Description	Value
<b>General information:</b>	
Product name:	GT-HR-50 PN6 R3/4 V
Product No:	<a href="#">96573395</a>
EAN number:	5700830555088
Price:	GBP 149
<b>Technical:</b>	
Membrane type:	diaphragm
<b>Materials:</b>	
Basic:	Carbon steel
<b>Installation:</b>	
Maximum operating pressure:	6 bar
Pre-pressure:	1.5 bar
Type of connection:	R
Size of connection:	3/4 inch
Installation:	Vertical
Size:	50.0
<b>Liquid:</b>	
Liquid max temp:	90 °C
<b>Others:</b>	
Net weight:	9.6 kg
Gross weight:	10.8 kg
Applicat. typ:	Heating standard
Finnish LVI No.:	3413414
Norwegian NRF no.:	8402715
Country of origin:	PL
Custom tariff no.:	73101000



**96573395 GT-HR-50 PN6 R3/4 V**



Note! All units are in [mm] unless others are stated.  
Disclaimer: This simplified dimensional drawing does not show all details.