


Qty.	Description
1	<p data-bbox="204 338 443 365">GT-U-8 PN25 G 3/4 V</p> <div data-bbox="363 398 422 600" style="text-align: center;">  </div> <p data-bbox="204 658 464 685">Product No.: 96573347</p> <p data-bbox="204 719 1458 792">Grundfos GT-U-8 PN25 G 3/4 V is a Bladder pressure tank, with a capacity of 8.0 l and Vertical installation. The tanks are approved for drinking water. The GT-U-8 PN25 G 3/4 V is designed for a maximum operation pressure of 25 bar and a maximum liquid temperature of 70 °C.</p> <p data-bbox="204 835 1361 887">The tank is a steel pressure tank with a replaceable, non-toxic butyl rubber bladder enclosed by compressed nitrogen.</p> <p data-bbox="204 1010 1458 1061">The diaphragm is a chlorine-resistant 100 % butyl diaphragm with a precision-moulded copolymer polypropylene liner for superior air and water separation.</p> <p data-bbox="204 1070 1442 1149">The tank has a FlowThru connection, which constantly flushes the tank while the pump is running. This ensures that the water in the tank remains fresh and eliminates the risk of stagnant water during normal system operation.</p> <p data-bbox="204 1216 1458 1267">The diaphragm is a chlorine-resistant 100 % butyl diaphragm with a precision-moulded copolymer polypropylene liner for superior air and water separation.</p> <p data-bbox="204 1276 1442 1355">The tank has a FlowThru connection, which constantly flushes the tank while the pump is running. This ensures that the water in the tank remains fresh and eliminates the risk of stagnant water during normal system operation.</p> <p data-bbox="204 1395 1294 1509">The tanks have a non-replaceable diaphragm that is pre-charged with nitrogen (1.5 bar). The tanks have a non-toxic butyl rubber diaphragm, dividing the tank chamber into two compartments. The upper compartment contains compressed nitrogen. The lower compartment has a liner of polypropylene (PP) and is filled with water from the pump.</p> <p data-bbox="204 1541 1437 1673">A pressure tank ensures controlled pressure in the water supply and thereby limits the switching frequency of the pump in case of low water consumption or leakage loss. The result is increased comfort in your installation by limiting the start/stop frequency of your pump, and it increases system comfort by compensating for pressure drops when a tap is opened, while reducing problems with water hammer in the pipework.</p> <p data-bbox="204 1742 628 1800">Liquid: Maximum liquid temperature: 70 °C</p> <p data-bbox="204 1832 651 1917">Technical: Membrane type: Bladder Maximum used volume: 6 l</p> <p data-bbox="204 1948 703 2007">Materials: Basic: Carbon steel</p> <p data-bbox="204 2038 636 2096">Installation: Maximum operating pressure: 25 bar</p>



Company name:

Created by:

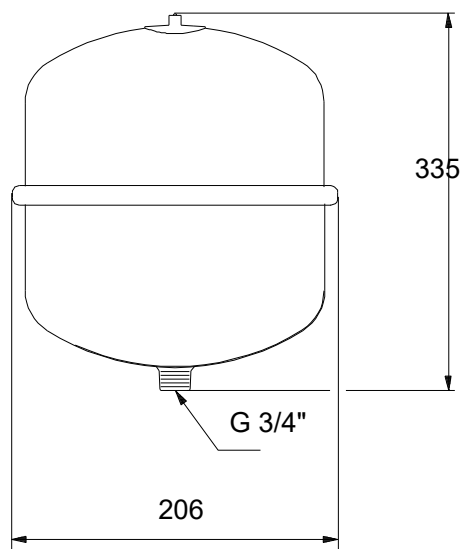
Phone:

Date:

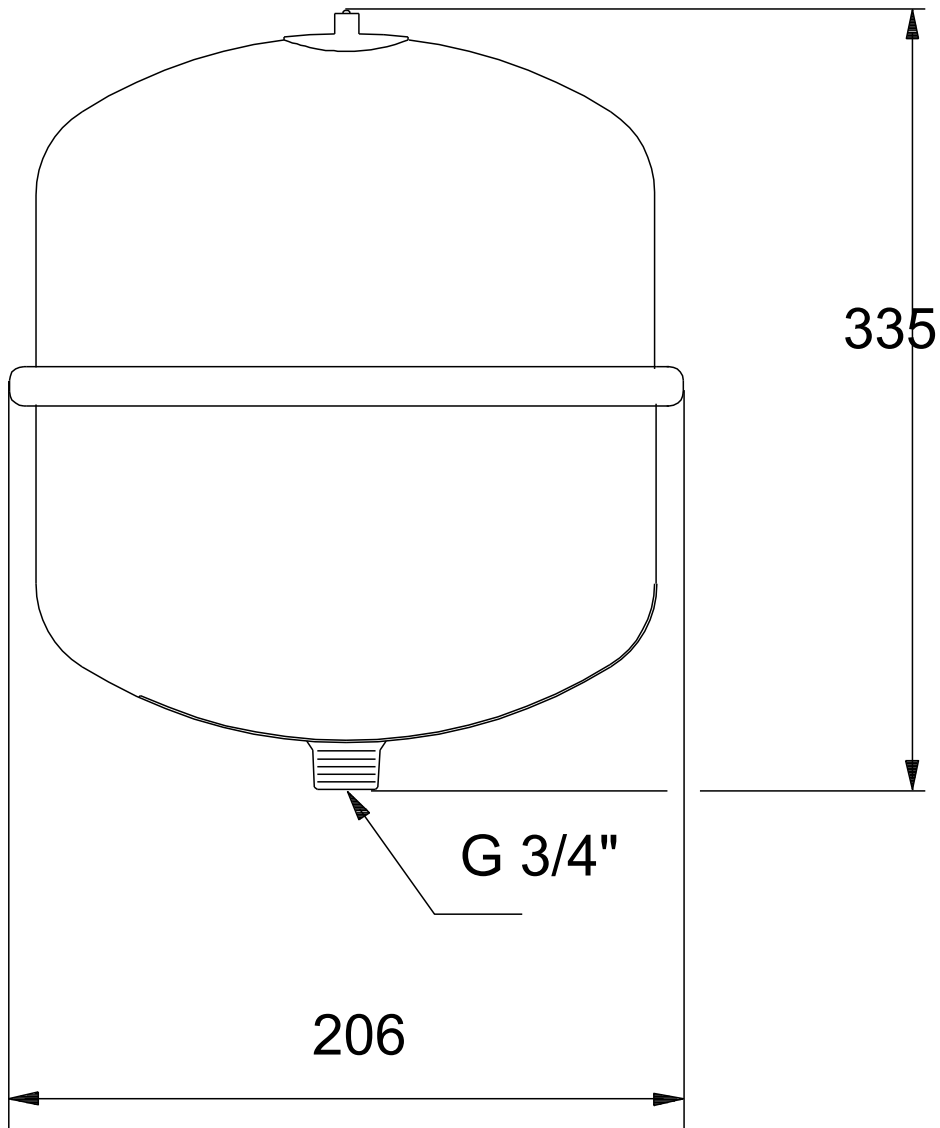
01/10/2021

Qty.	Description
	<p>Type of connection: G Size of connection: 3/4 inch Size: 8.0</p> <p>Others: Net weight: 2.4 kg Gross weight: 2.65 kg Applicat. typ: Standard Country of origin: PL Custom tariff no.: 73101000</p>

Description	Value
General information:	
Product name:	GT-U-8 PN25 G 3/4 V
Product No:	96573347
EAN number:	5700830554685
Price:	GBP 114
Technical:	
Membrane type:	Bladder
Maximum used volume:	6 l
Materials:	
Basic:	Carbon steel
Installation:	
Maximum operating pressure:	25 bar
Pre-pressure:	4 bar
Type of connection:	G
Size of connection:	3/4 inch
Installation:	Vertical
Size:	8.0
Liquid:	
Maximum liquid temperature:	70 °C
Others:	
Net weight:	2.4 kg
Gross weight:	2.65 kg
Applicat. typ:	Standard
Country of origin:	PL
Custom tariff no.:	73101000



96573347 GT-U-8 PN25 G 3/4 V



Note! All units are in [mm] unless others are stated.
Disclaimer: This simplified dimensional drawing does not show all details.