

Qty. Description

1 CRI 1-30 A-FGJ-A-V-HQQV



Note! Product picture may differ from actual product

Product No.: [96533352](#)

Vertical, multistage centrifugal pump with inlet and outlet ports on same the level (inline). Pump materials in contact with the liquid are in stainless steel. A cartridge shaft seal ensures high reliability, safe handling, and easy access and service. Power transmission is via a rigid split coupling. Pipe connection is via combined DIN-ANSI-JIS flanges.

The pump is fitted with a 1-phase, fan-cooled asynchronous motor.

Liquid:  
Pumped liquid: Water  
Liquid temperature range: -20 .. 90 °C  
Selected liquid temperature: 20 °C  
Density: 998.2 kg/m<sup>3</sup>

Qty.	Description
	<p><b>Technical:</b>                      Pump speed on which pump data are based: 2767 rpm                      Rated flow: 1.8 m<sup>3</sup>/h                      Rated head: 128.4 m                      Pump orientation: Vertical                      Shaft seal arrangement: Single                      Code for shaft seal: HQQV                      Approvals: CE,EAC,UKCA                      Approvals for drinking water: WRAS                      Curve tolerance: ISO9906:2012 3B</p> <p><b>Materials:</b>                      Base: Stainless steel                      EN 1.4408                      AISI 316                      Impeller: Stainless steel                      EN 1.4301                      AISI 304                      Bearing: SIC</p> <p><b>Installation:</b>                      Maximum ambient temperature: 40 °C                      Maximum operating pressure: 25 bar                      Max pressure at stated temp: 25 bar / 90 °C                      25 bar / -20 °C                      Type of connection: DIN / ANSI / JIS                      Size of inlet connection: DN 25/32                      Size of outlet connection: DN 25/32                      Pressure rating for connection: PN 25                      Flange rating inlet: 300 lb                      Flange size for motor: FT115</p> <p><b>Electrical data:</b>                      Motor standard: IEC                      Motor type: 90LB                      Rated power - P2: 1.5 kW                      Power (P2) required by pump: 1.5 kW                      Mains frequency: 50 Hz                      Rated voltage: 1 x 220-230/240 V                      Rated current: 9.90/8.90 A                      Starting current: 390 %                      Cos phi - power factor: 0.98/0.99                      Rated speed: 2750/2740 rpm                      Motor efficiency at full load: 72-70 %                      Number of poles: 2                      Enclosure class (IEC 34-5): 55 Dust/Jetting                      Insulation class (IEC 85): F                      Motor No: 85215706</p> <p><b>Controls:</b>                      Frequency converter: NONE</p> <p><b>Others:</b>                      Minimum efficiency index, MEI ≥: 0.70                      Net weight: 45.4 kg                      Gross weight: 50.7 kg                      Shipping volume: 0.133 m<sup>3</sup></p>



Company name:

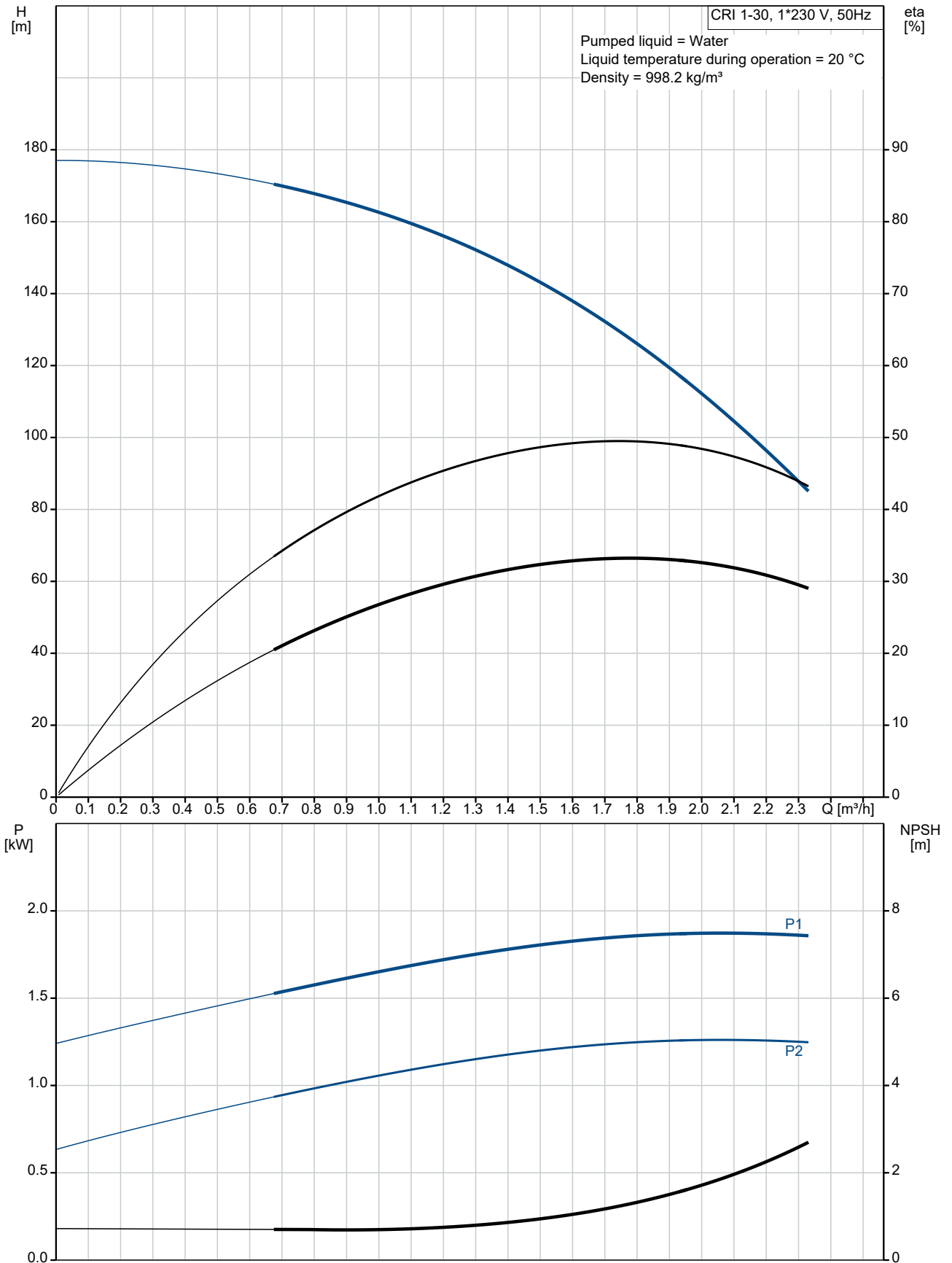
Created by:

Phone:

Date:

13/07/2021

### 96533352 CRI 1-30 A-FGJ-A-V-HQQV 50 Hz



Description	Value
-------------	-------

**General information:**

Product name: CRI 1-30  
A-FGJ-A-V-HQQV

Product No: 96533352

EAN number: 5700397451243

Price:

**Technical:**

Pump speed on which pump data are based: 2767 rpm

Rated flow: 1.8 m<sup>3</sup>/h

Rated head: 128.4 m

Maximum head: 180.2 m

Stages: 30

Impellers: 30

Number of reduced-diameter impellers: 0

Low NPSH: N

Pump orientation: Vertical

Shaft seal arrangement: Single

Code for shaft seal: HQQV

Approvals: CE,EAC,UKCA

Approvals for drinking water: WRAS

Curve tolerance: ISO9906:2012 3B

Pump version: A

Model: A

**Materials:**

Base: Stainless steel

Base: EN 1.4408

Base: AISI 316

Impeller: Stainless steel

Impeller: EN 1.4301

Impeller: AISI 304

Material code: A

Code for rubber: V

Bearing: SIC

**Installation:**

Maximum ambient temperature: 40 °C

Maximum operating pressure: 25 bar

Max pressure at stated temp: 25 bar / 90 °C

Max pressure at stated temp: 25 bar / -20 °C

Type of connection: DIN / ANSI / JIS

Size of inlet connection: DN 25/32

Size of outlet connection: DN 25/32

Pressure rating for connection: PN 25

Flange rating inlet: 300 lb

Flange size for motor: FT115

Connect code: FGJ

**Liquid:**

Pumped liquid: Water

Liquid temperature range: -20 .. 90 °C

Selected liquid temperature: 20 °C

Density: 998.2 kg/m<sup>3</sup>

**Electrical data:**

Motor standard: IEC

Motor type: 90LB

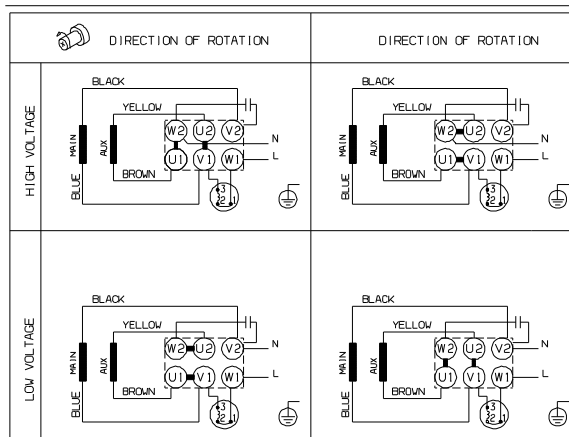
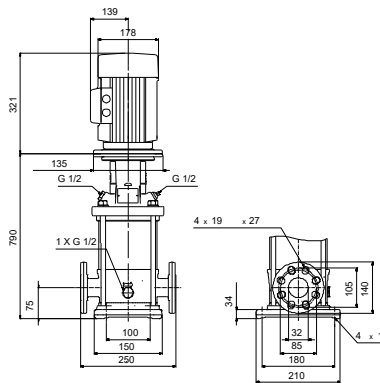
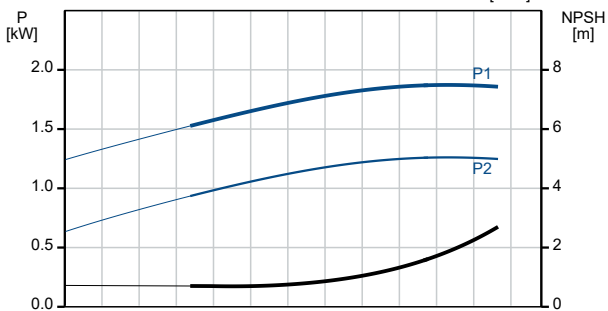
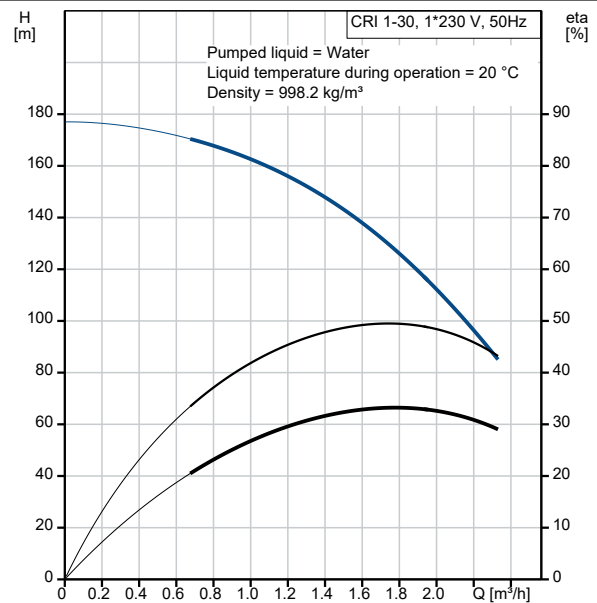
Rated power - P2: 1.5 kW

Power (P2) required by pump: 1.5 kW

Mains frequency: 50 Hz

Rated voltage: 1 x 220-230/240 V

Rated current: 9.90/8.90 A





Company name:

Created by:

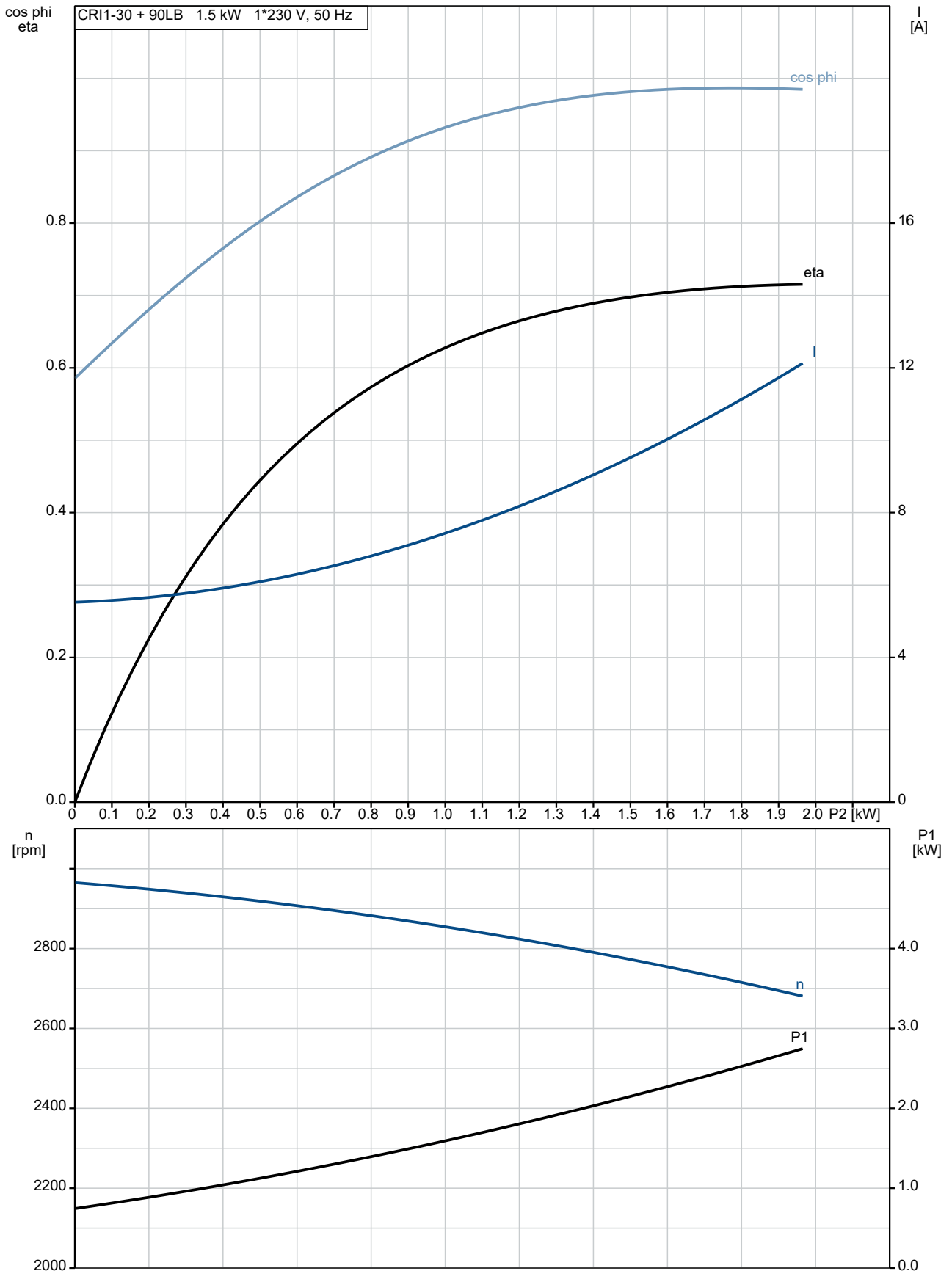
Phone:

Date:

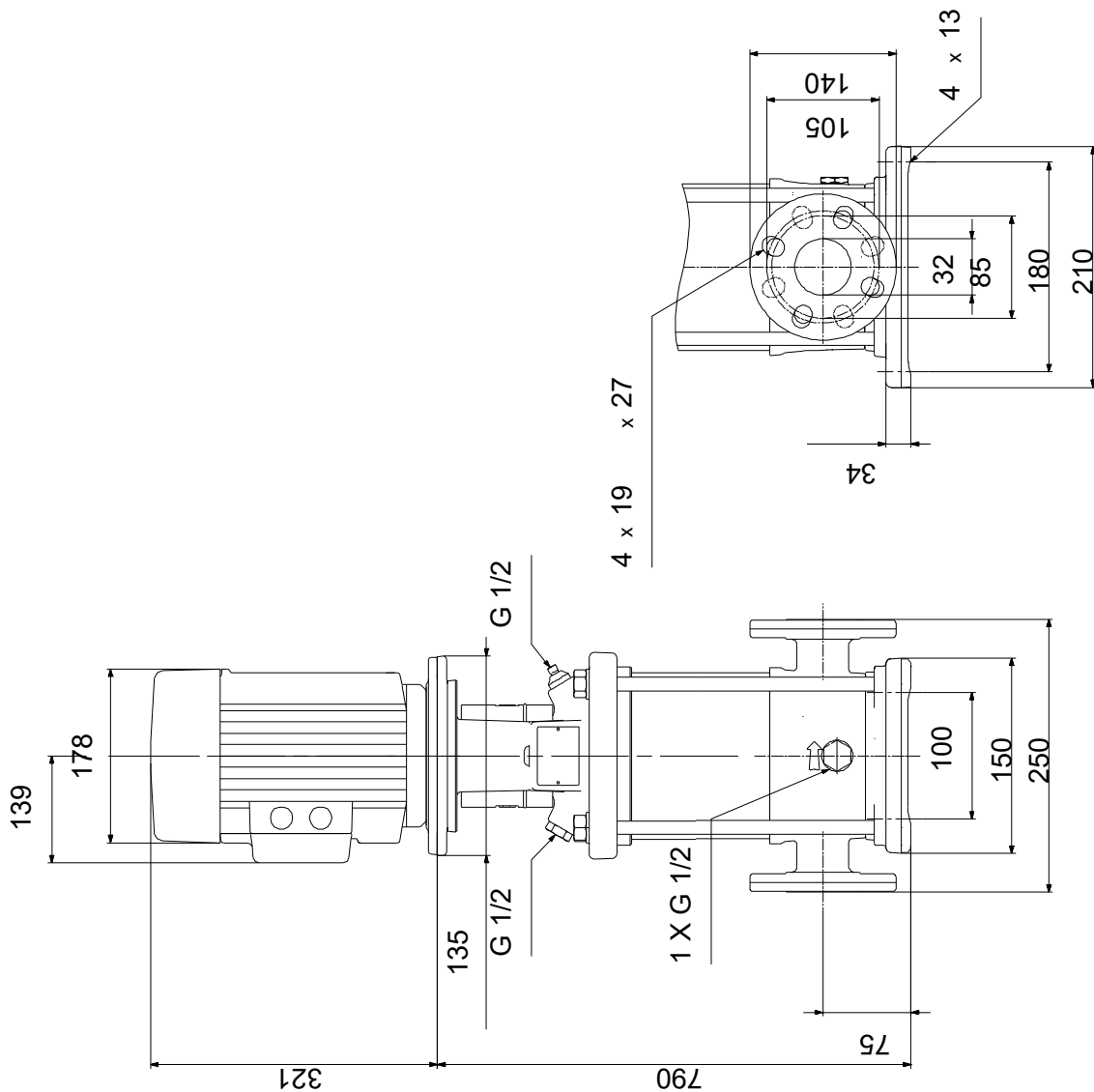
13/07/2021

Description	Value
Starting current:	390 %
Cos phi - power factor:	0.98/0.99
Rated speed:	2750/2740 rpm
Motor efficiency at full load:	72-70 %
Number of poles:	2
Enclosure class (IEC 34-5):	55 Dust/Jetting
Insulation class (IEC 85):	F
Motor protec:	PTO
Motor No:	85215706
<b>Controls:</b>	
Frequency converter:	NONE
<b>Others:</b>	
Minimum efficiency index, MEI $\geq$ :	0.70
Net weight:	45.4 kg
Gross weight:	50.7 kg
Shipping volume:	0.133 m <sup>3</sup>
Sales region:	GB

## 96533352 CRI 1-30 A-FGJ-A-V-HQQV 50 Hz

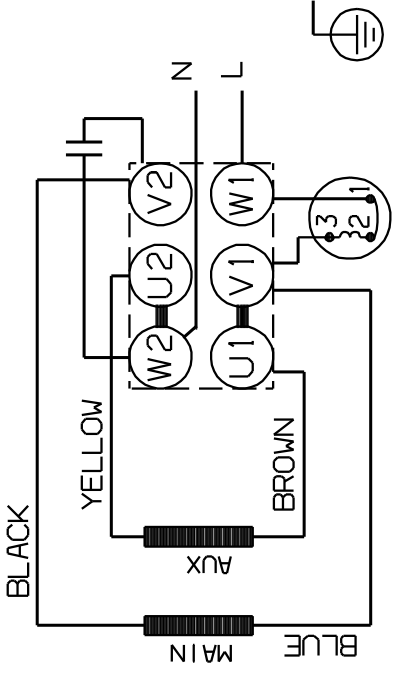
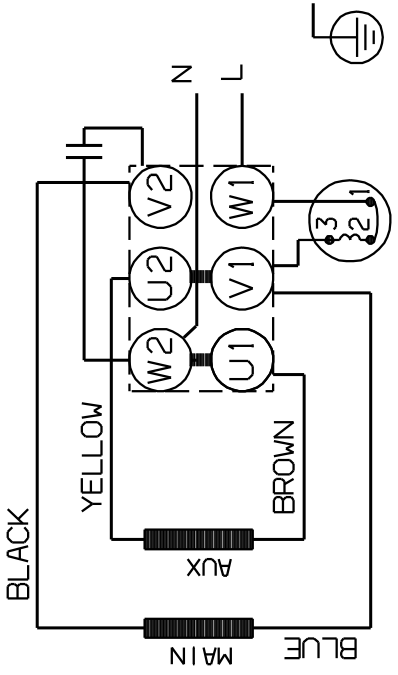
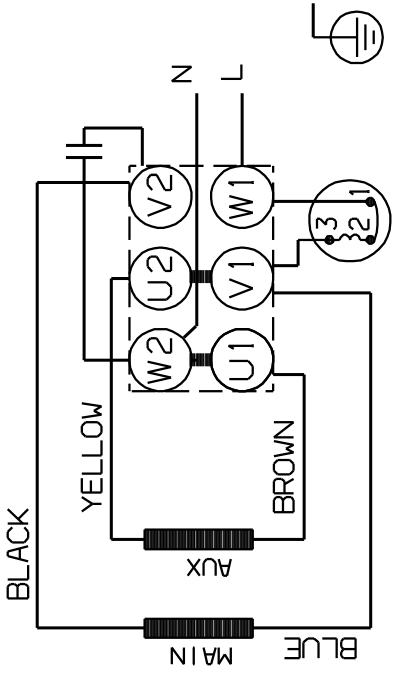
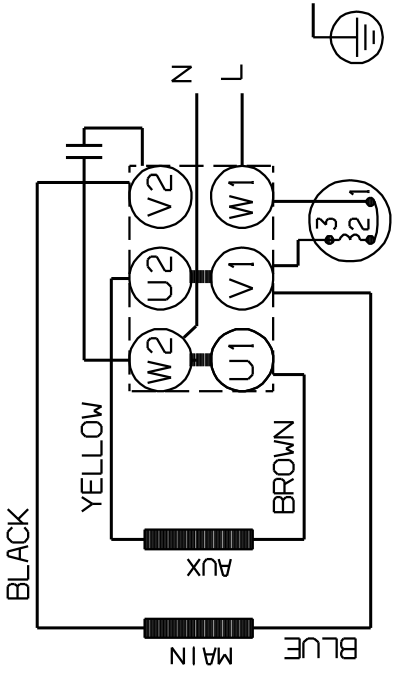


**96533352 CRI 1-30 A-FGJ-A-V-HQQV 50 Hz**



Note! All units are in [mm] unless others are stated.  
Disclaimer: This simplified dimensional drawing does not show all details.

## 96533352 CRI 1-30 A-FGJ-A-V-HQQV 50 Hz

DIRECTION OF ROTATION	
DIRECTION OF ROTATION	
HIGH VOLTAGE	
LOW VOLTAGE	

Note! All units are in [mm] unless others are stated.