


Qty.	Description																																																						
1	<p data-bbox="199 338 507 365">CRI 1-21 A-FGJ-A-V-HQQV</p>  <p data-bbox="199 658 464 685">Product No.: 96533347</p> <p data-bbox="199 719 1458 792">Vertical, multistage centrifugal pump with inlet and outlet ports on same the level (inline). Pump materials in contact with the liquid are in stainless steel. A cartridge shaft seal ensures high reliability, safe handling, and easy access and service. Power transmission is via a rigid split coupling. Pipe connection is via combined DIN-ANSI-JIS flanges.</p> <p data-bbox="199 831 916 857">The pump is fitted with a 1-phase, fan-cooled asynchronous motor.</p> <p data-bbox="199 891 276 918">Liquid:</p> <p data-bbox="199 920 695 1037"> <table border="0"> <tr> <td>Pumped liquid:</td> <td>Water</td> </tr> <tr> <td>Liquid temperature range:</td> <td>-20 .. 90 °C</td> </tr> <tr> <td>Selected liquid temperature:</td> <td>20 °C</td> </tr> <tr> <td>Density:</td> <td>998.2 kg/m³</td> </tr> </table> </p> <p data-bbox="199 1070 316 1097">Technical:</p> <p data-bbox="199 1099 820 1335"> <table border="0"> <tr> <td>Pump speed on which pump data are based:</td> <td>2789 rpm</td> </tr> <tr> <td>Rated flow:</td> <td>1.8 m³/h</td> </tr> <tr> <td>Rated head:</td> <td>92.5 m</td> </tr> <tr> <td>Pump orientation:</td> <td>Vertical</td> </tr> <tr> <td>Shaft seal arrangement:</td> <td>Single</td> </tr> <tr> <td>Code for shaft seal:</td> <td>HQQV</td> </tr> <tr> <td>Approvals on nameplate:</td> <td>CE, EAC</td> </tr> <tr> <td>Curve tolerance:</td> <td>ISO9906:2012 3B</td> </tr> </table> </p> <p data-bbox="199 1368 309 1395">Materials:</p> <p data-bbox="199 1397 724 1603"> <table border="0"> <tr> <td>Base:</td> <td>Stainless steel EN 1.4408 AISI 316</td> </tr> <tr> <td>Impeller:</td> <td>Stainless steel EN 1.4301 AISI 304</td> </tr> <tr> <td>Bearing:</td> <td>SIC</td> </tr> </table> </p> <p data-bbox="199 1637 325 1664">Installation:</p> <p data-bbox="199 1666 724 1783"> <table border="0"> <tr> <td>Maximum ambient temperature:</td> <td>40 °C</td> </tr> <tr> <td>Maximum operating pressure:</td> <td>25 bar</td> </tr> <tr> <td>Max pressure at stated temp:</td> <td>25 bar / 90 °C 25 bar / -20 °C</td> </tr> </table> </p> <p data-bbox="199 1785 740 1962"> <table border="0"> <tr> <td>Type of connection:</td> <td>DIN / ANSI / JIS</td> </tr> <tr> <td>Size of inlet connection:</td> <td>DN 25/32</td> </tr> <tr> <td>Size of outlet connection:</td> <td>DN 25/32</td> </tr> <tr> <td>Pressure rating for connection:</td> <td>PN 25</td> </tr> <tr> <td>Flange rating inlet:</td> <td>300 lb</td> </tr> <tr> <td>Flange size for motor:</td> <td>FT115</td> </tr> </table> </p> <p data-bbox="199 1995 363 2022">Electrical data:</p> <p data-bbox="199 2024 644 2105"> <table border="0"> <tr> <td>Motor standard:</td> <td>IEC</td> </tr> <tr> <td>Motor type:</td> <td>90SB</td> </tr> <tr> <td>Rated power - P2:</td> <td>1.1 kW</td> </tr> </table> </p>	Pumped liquid:	Water	Liquid temperature range:	-20 .. 90 °C	Selected liquid temperature:	20 °C	Density:	998.2 kg/m ³	Pump speed on which pump data are based:	2789 rpm	Rated flow:	1.8 m ³ /h	Rated head:	92.5 m	Pump orientation:	Vertical	Shaft seal arrangement:	Single	Code for shaft seal:	HQQV	Approvals on nameplate:	CE, EAC	Curve tolerance:	ISO9906:2012 3B	Base:	Stainless steel EN 1.4408 AISI 316	Impeller:	Stainless steel EN 1.4301 AISI 304	Bearing:	SIC	Maximum ambient temperature:	40 °C	Maximum operating pressure:	25 bar	Max pressure at stated temp:	25 bar / 90 °C 25 bar / -20 °C	Type of connection:	DIN / ANSI / JIS	Size of inlet connection:	DN 25/32	Size of outlet connection:	DN 25/32	Pressure rating for connection:	PN 25	Flange rating inlet:	300 lb	Flange size for motor:	FT115	Motor standard:	IEC	Motor type:	90SB	Rated power - P2:	1.1 kW
Pumped liquid:	Water																																																						
Liquid temperature range:	-20 .. 90 °C																																																						
Selected liquid temperature:	20 °C																																																						
Density:	998.2 kg/m ³																																																						
Pump speed on which pump data are based:	2789 rpm																																																						
Rated flow:	1.8 m ³ /h																																																						
Rated head:	92.5 m																																																						
Pump orientation:	Vertical																																																						
Shaft seal arrangement:	Single																																																						
Code for shaft seal:	HQQV																																																						
Approvals on nameplate:	CE, EAC																																																						
Curve tolerance:	ISO9906:2012 3B																																																						
Base:	Stainless steel EN 1.4408 AISI 316																																																						
Impeller:	Stainless steel EN 1.4301 AISI 304																																																						
Bearing:	SIC																																																						
Maximum ambient temperature:	40 °C																																																						
Maximum operating pressure:	25 bar																																																						
Max pressure at stated temp:	25 bar / 90 °C 25 bar / -20 °C																																																						
Type of connection:	DIN / ANSI / JIS																																																						
Size of inlet connection:	DN 25/32																																																						
Size of outlet connection:	DN 25/32																																																						
Pressure rating for connection:	PN 25																																																						
Flange rating inlet:	300 lb																																																						
Flange size for motor:	FT115																																																						
Motor standard:	IEC																																																						
Motor type:	90SB																																																						
Rated power - P2:	1.1 kW																																																						



Company name:

Created by:

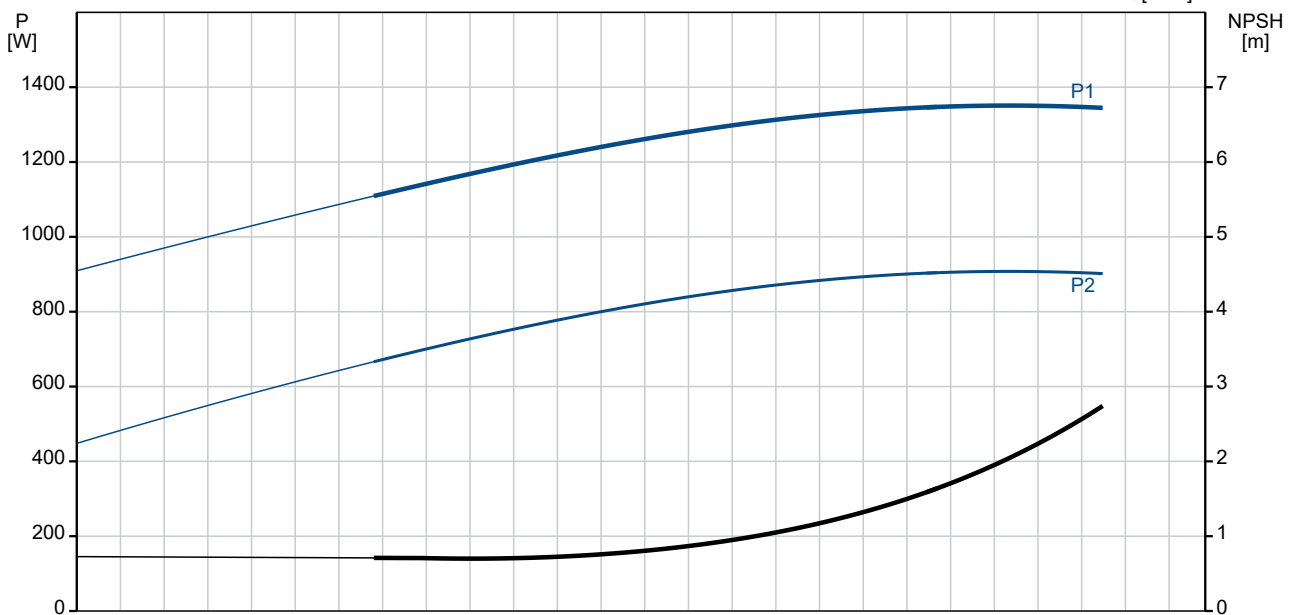
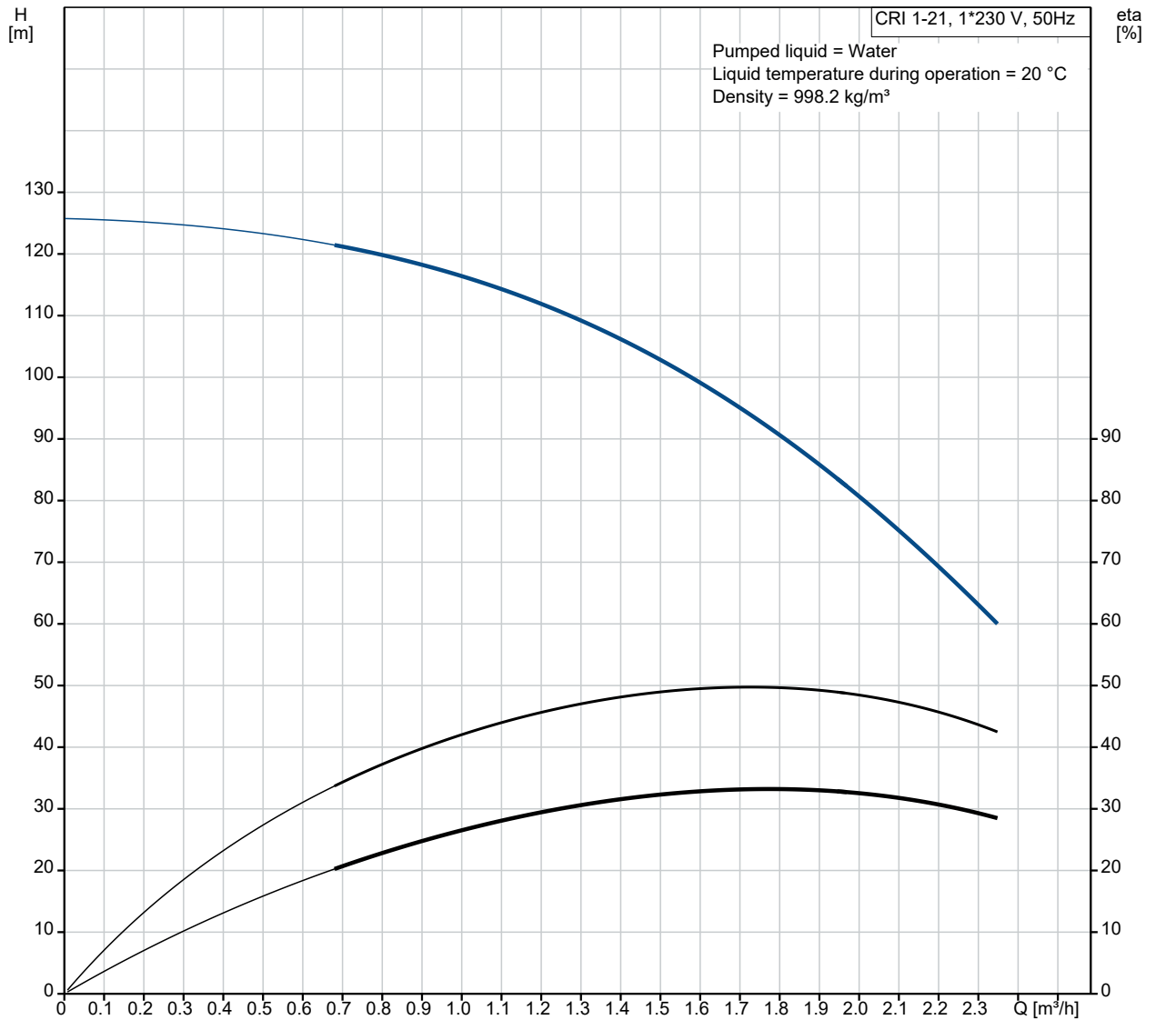
Phone:

Date:

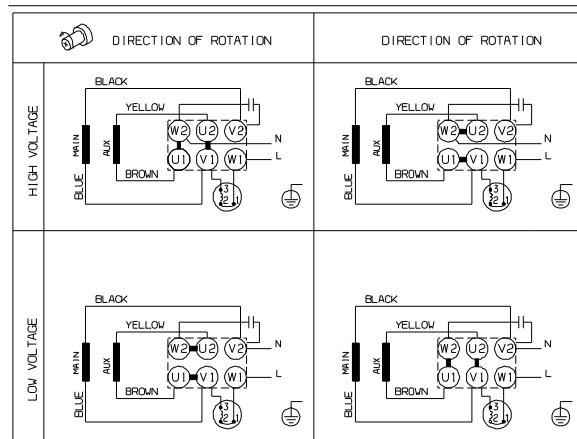
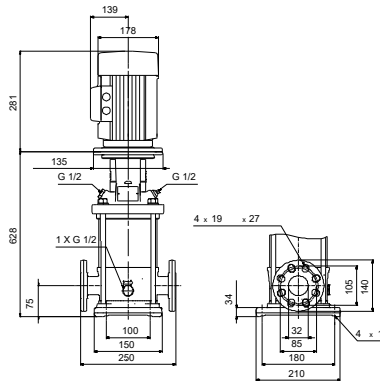
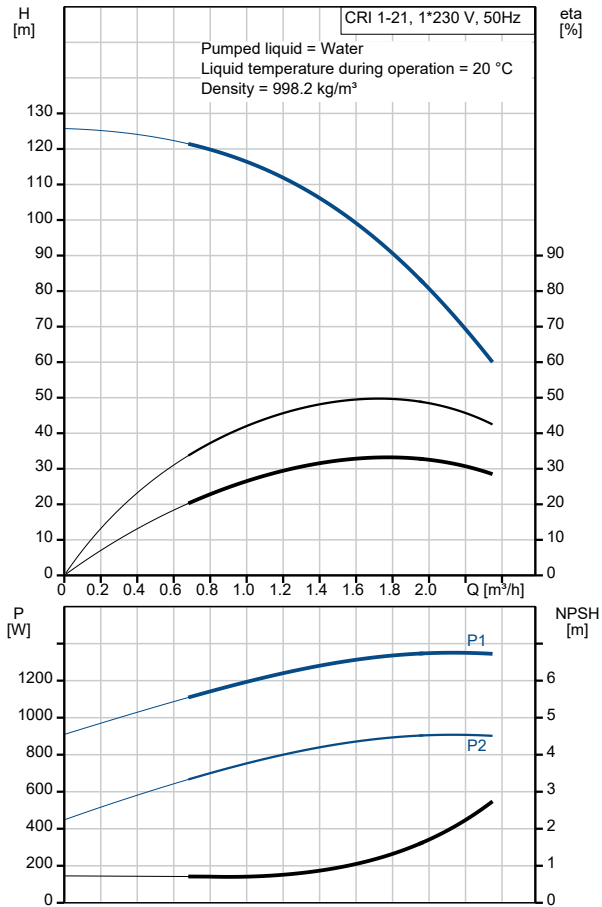
13/07/2021

Qty.	Description
	Power (P2) required by pump: 1.1 kW
	Mains frequency: 50 Hz
	Rated voltage: 1 x 220-230/240 V
	Rated current: 7.40/6.70 A
	Starting current: 390 %
	Cos phi - power factor: 0.98/0.99
	Rated speed: 2770 rpm
	Motor efficiency at full load: 73-71 %
	Number of poles: 2
	Enclosure class (IEC 34-5): 55 Dust/Jetting
	Insulation class (IEC 85): F
	Motor No: 85215705
	Controls:
	Frequency converter: NONE
	Others:
	Minimum efficiency index, MEI \geq : 0.70
	Net weight: 40.7 kg
	Gross weight: 43.6 kg
	Shipping volume: 0.13 m ³
	Country of origin: GB
	Custom tariff no.: 84137075

96533347 CRI 1-21 A-FGJ-A-V-HQQV 50 Hz



Description	Value
General information:	
Product name:	CRI 1-21 A-FGJ-A-V-HQQV
Product No:	96533347
EAN number:	5700397451199
Price:	GBP 1473
Technical:	
Pump speed on which pump data are based:	2789 rpm
Rated flow:	1.8 m ³ /h
Rated head:	92.5 m
Maximum head:	127.3 m
Stages:	21
Impellers:	21
Number of reduced-diameter impellers:	0
Low NPSH:	N
Pump orientation:	Vertical
Shaft seal arrangement:	Single
Code for shaft seal:	HQQV
Approvals on nameplate:	CE, EAC
Curve tolerance:	ISO9906:2012 3B
Pump version:	A
Model:	A
Materials:	
Base:	Stainless steel
Base:	EN 1.4408
Base:	AISI 316
Impeller:	Stainless steel
Impeller:	EN 1.4301
Impeller:	AISI 304
Material code:	A
Code for rubber:	V
Bearing:	SIC
Installation:	
Maximum ambient temperature:	40 °C
Maximum operating pressure:	25 bar
Max pressure at stated temp:	25 bar / 90 °C
Max pressure at stated temp:	25 bar / -20 °C
Type of connection:	DIN / ANSI / JIS
Size of inlet connection:	DN 25/32
Size of outlet connection:	DN 25/32
Pressure rating for connection:	PN 25
Flange rating inlet:	300 lb
Flange size for motor:	FT115
Connect code:	FGJ
Liquid:	
Pumped liquid:	Water
Liquid temperature range:	-20 .. 90 °C
Selected liquid temperature:	20 °C
Density:	998.2 kg/m ³
Electrical data:	
Motor standard:	IEC
Motor type:	90SB
Rated power - P2:	1.1 kW
Power (P2) required by pump:	1.1 kW
Mains frequency:	50 Hz
Rated voltage:	1 x 220-230/240 V
Rated current:	7.40/6.70 A
Starting current:	390 %





Company name:

Created by:

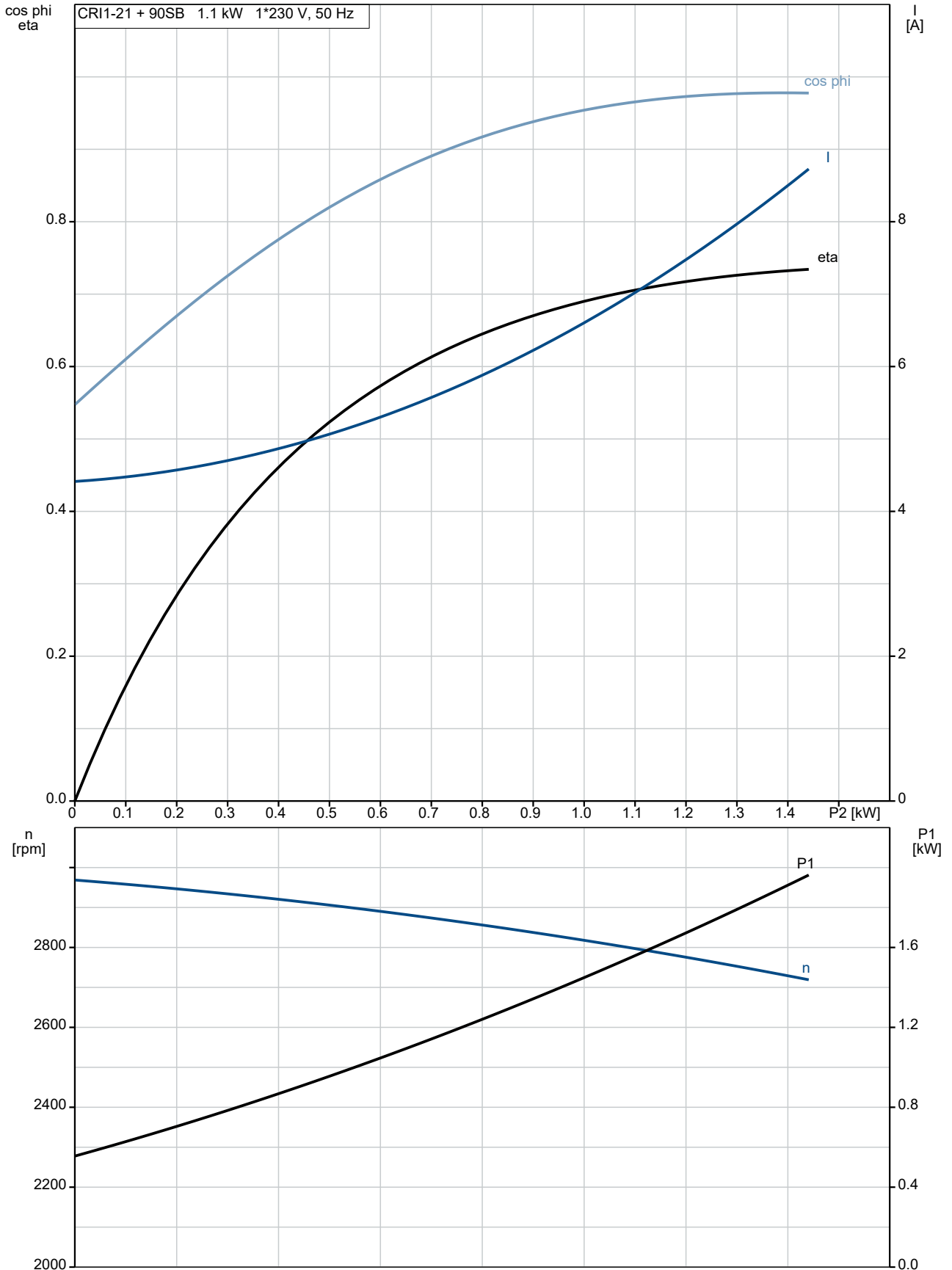
Phone:

Date:

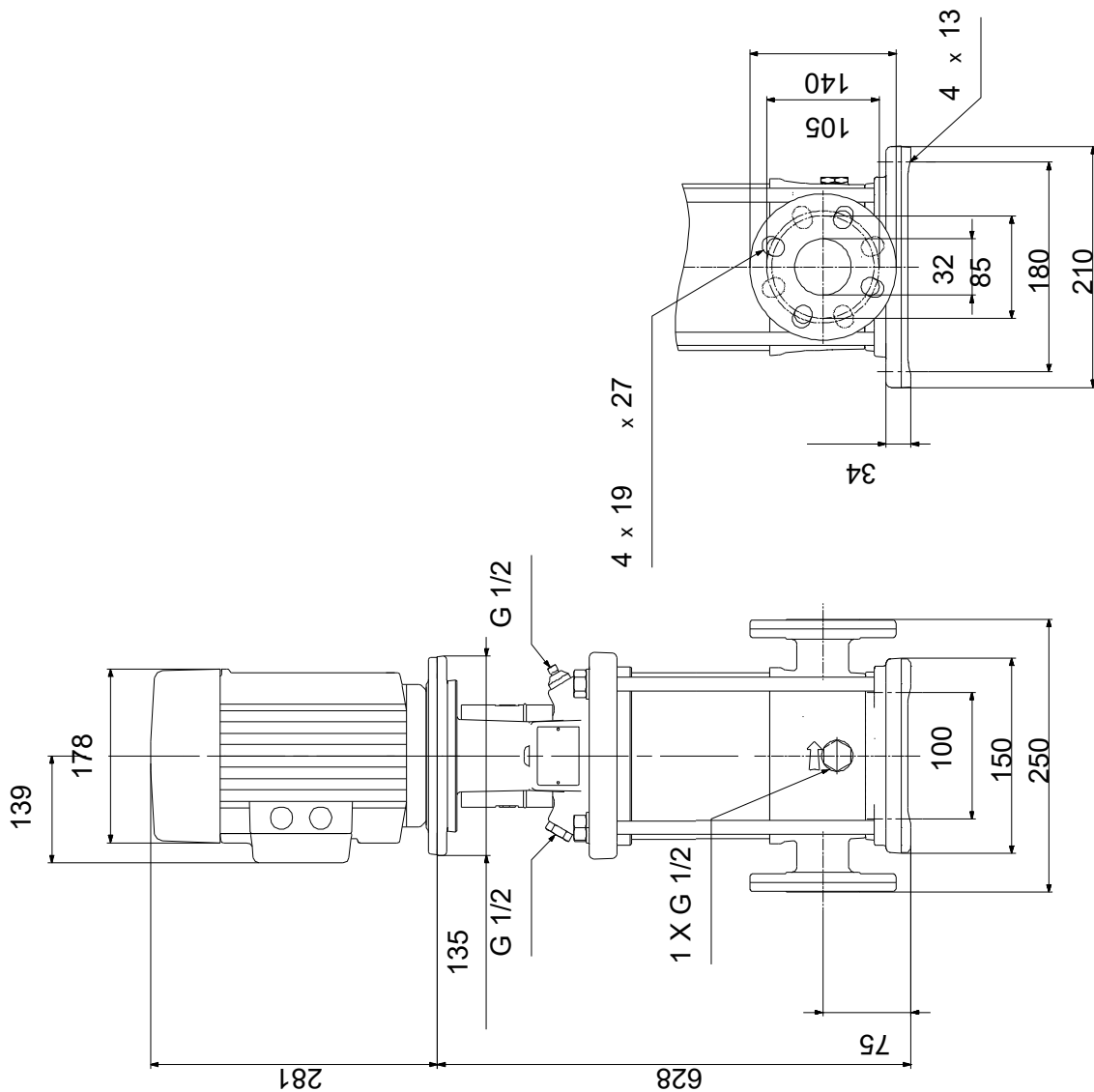
13/07/2021

Description	Value
Cos phi - power factor:	0.98/0.99
Rated speed:	2770 rpm
Motor efficiency at full load:	73-71 %
Number of poles:	2
Enclosure class (IEC 34-5):	55 Dust/Jetting
Insulation class (IEC 85):	F
Motor protec:	PTO
Motor No:	85215705
Controls:	
Frequency converter:	NONE
Others:	
Minimum efficiency index, MEI ≥:	0.70
Net weight:	40.7 kg
Gross weight:	43.6 kg
Shipping volume:	0.13 m ³
Sales region:	GB
Country of origin:	GB
Custom tariff no.:	84137075

96533347 CRI 1-21 A-FGJ-A-V-HQQV 50 Hz

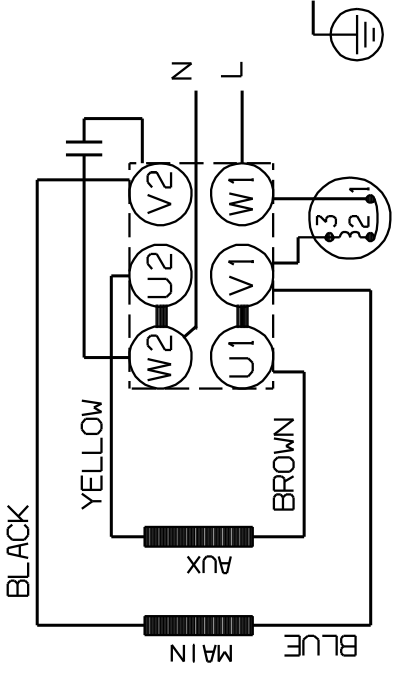
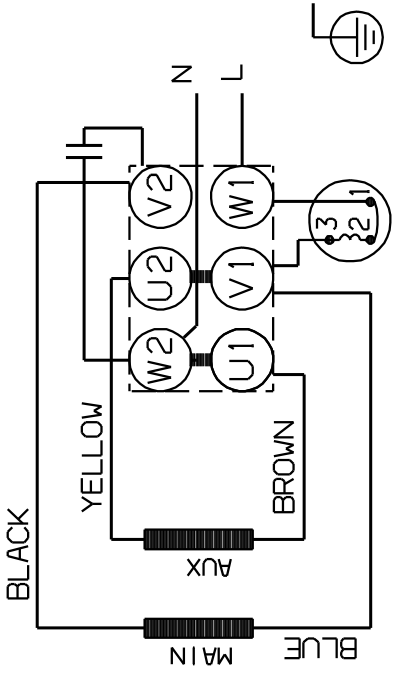
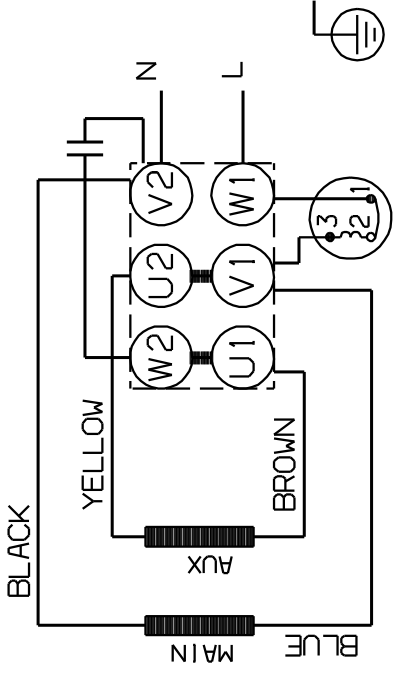
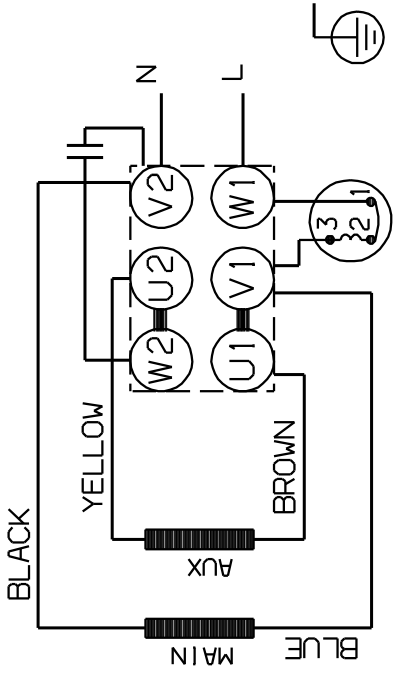


96533347 CRI 1-21 A-FGJ-A-V-HQQV 50 Hz



Note! All units are in [mm] unless others are stated.
Disclaimer: This simplified dimensional drawing does not show all details.

96533347 CRI 1-21 A-FGJ-A-V-HQQV 50 Hz

DIRECTION OF ROTATION	
DIRECTION OF ROTATION	
	
	

Note! All units are in [mm] unless others are stated.