

Qty. Description

1 CRI 1-17 A-CA-A-V-HQQV



Note! Product picture may differ from actual product

Product No.: [96533345](#)

Vertical, multistage centrifugal pump with inlet and outlet ports on same the level (inline). Pump materials in contact with the liquid are in stainless steel. A cartridge shaft seal ensures high reliability, safe handling, and easy access and service. Power transmission is via a rigid split coupling. Pipe connection is via FlexiClamps.

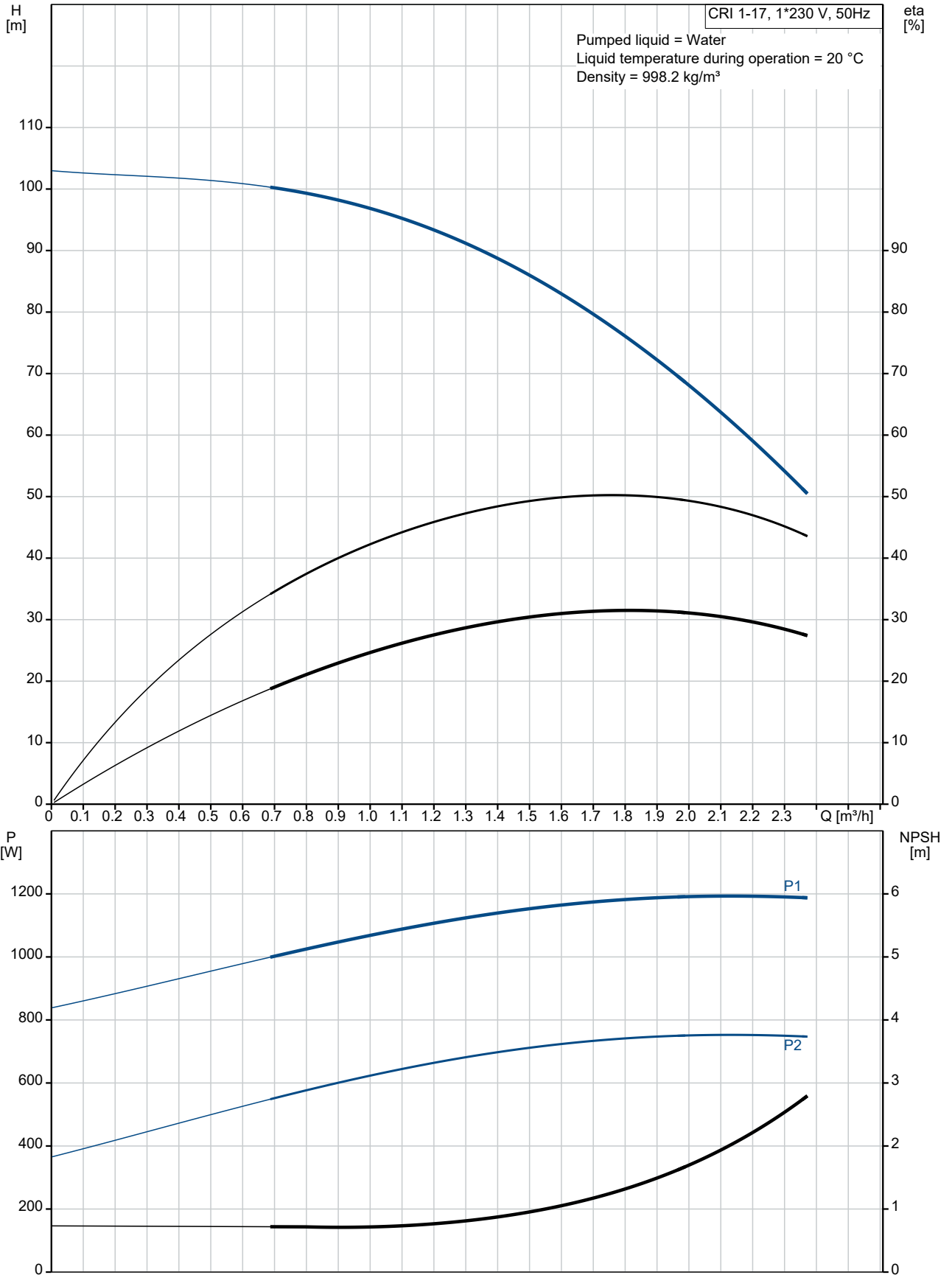
The pump is fitted with a 1-phase, fan-cooled asynchronous motor.

Liquid:
Pumped liquid: Water
Liquid temperature range: -20 .. 90 °C
Selected liquid temperature: 20 °C
Density: 998.2 kg/m³

Technical:

Qty.	Description
	Pump speed on which pump data are based: 2789 rpm Rated flow: 1.8 m ³ /h Rated head: 77.3 m Pump orientation: Vertical Shaft seal arrangement: Single Code for shaft seal: HQQV Approvals: CE,EAC,UKCA Approvals for drinking water: WRAS Curve tolerance: ISO9906:2012 3B Materials: Base: Stainless steel EN 1.4408 AISI 316 Impeller: Stainless steel EN 1.4301 AISI 304 Bearing: SIC Installation: Maximum ambient temperature: 40 °C Maximum operating pressure: 25 bar Max pressure at stated temp: 25 bar / 90 °C 25 bar / -20 °C Type of connection: FlexiClamp Size of inlet connection: DN 32 Size of outlet connection: DN 32 Pressure rating for connection: PN 25 Flange size for motor: FT115 Electrical data: Motor standard: IEC Motor type: 90SB Rated power - P2: 1.1 kW Power (P2) required by pump: 1.1 kW Mains frequency: 50 Hz Rated voltage: 1 x 220-230/240 V Rated current: 7.40/6.70 A Starting current: 390 % Cos phi - power factor: 0.98/0.99 Rated speed: 2770 rpm Motor efficiency at full load: 73-71 % Number of poles: 2 Enclosure class (IEC 34-5): 55 Dust/Jetting Insulation class (IEC 85): F Motor No: 85215705 Controls: Frequency converter: NONE Others: Minimum efficiency index, MEI ≥: 0.70 Net weight: 34.9 kg Gross weight: 39 kg Shipping volume: 0.092 m ³

96533345 CRI 1-17 A-CA-A-V-HQQV 50 Hz



Description	Value
-------------	-------

General information:

Product name: CRI 1-17
A-CA-A-V-HQQV

Product No: 96533345

EAN number: 5700397451175

Price:

Technical:

Pump speed on which pump data are based: 2789 rpm

Rated flow: 1.8 m³/h

Rated head: 77.3 m

Maximum head: 104.2 m

Stages: 17

Impellers: 17

Number of reduced-diameter impellers: 0

Low NPSH: N

Pump orientation: Vertical

Shaft seal arrangement: Single

Code for shaft seal: HQQV

Approvals: CE,EAC,UKCA

Approvals for drinking water: WRAS

Curve tolerance: ISO9906:2012 3B

Pump version: A

Model: A

Materials:

Base: Stainless steel

Base: EN 1.4408

Base: AISI 316

Impeller: Stainless steel

Impeller: EN 1.4301

Impeller: AISI 304

Material code: A

Code for rubber: V

Bearing: SIC

Installation:

Maximum ambient temperature: 40 °C

Maximum operating pressure: 25 bar

Max pressure at stated temp: 25 bar / 90 °C

Max pressure at stated temp: 25 bar / -20 °C

Type of connection: FlexiClamp

Size of inlet connection: DN 32

Size of outlet connection: DN 32

Pressure rating for connection: PN 25

Flange size for motor: FT115

Connect code: CA

Liquid:

Pumped liquid: Water

Liquid temperature range: -20 .. 90 °C

Selected liquid temperature: 20 °C

Density: 998.2 kg/m³

Electrical data:

Motor standard: IEC

Motor type: 90SB

Rated power - P2: 1.1 kW

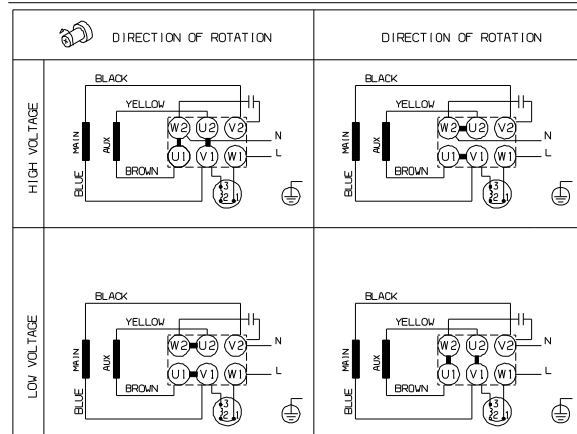
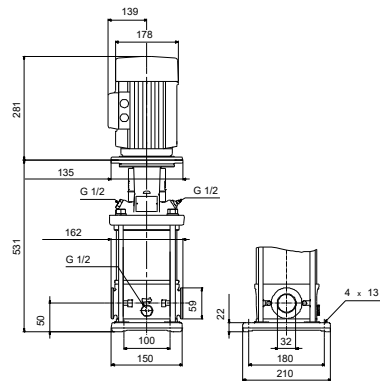
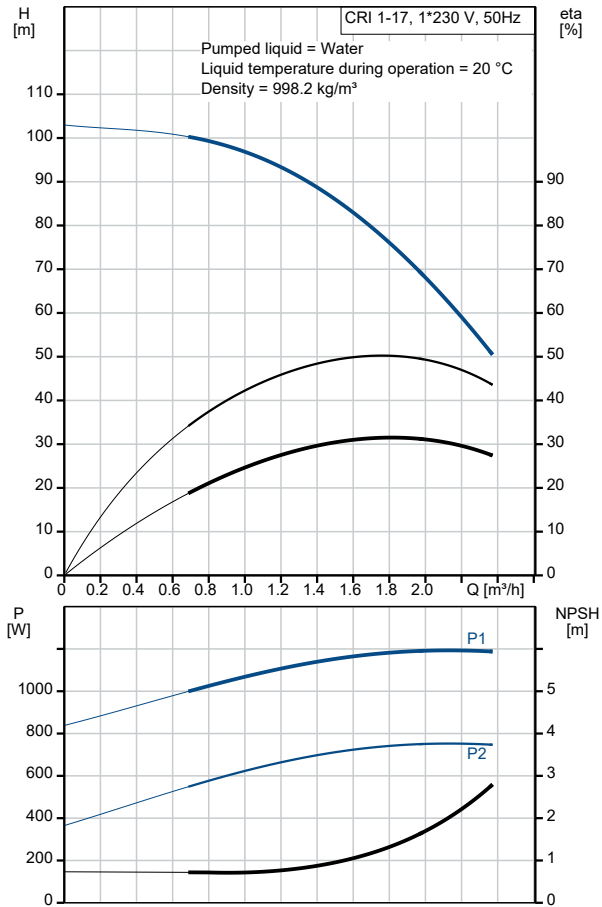
Power (P2) required by pump: 1.1 kW

Mains frequency: 50 Hz

Rated voltage: 1 x 220-230/240 V

Rated current: 7.40/6.70 A

Starting current: 390 %





Company name:

Created by:

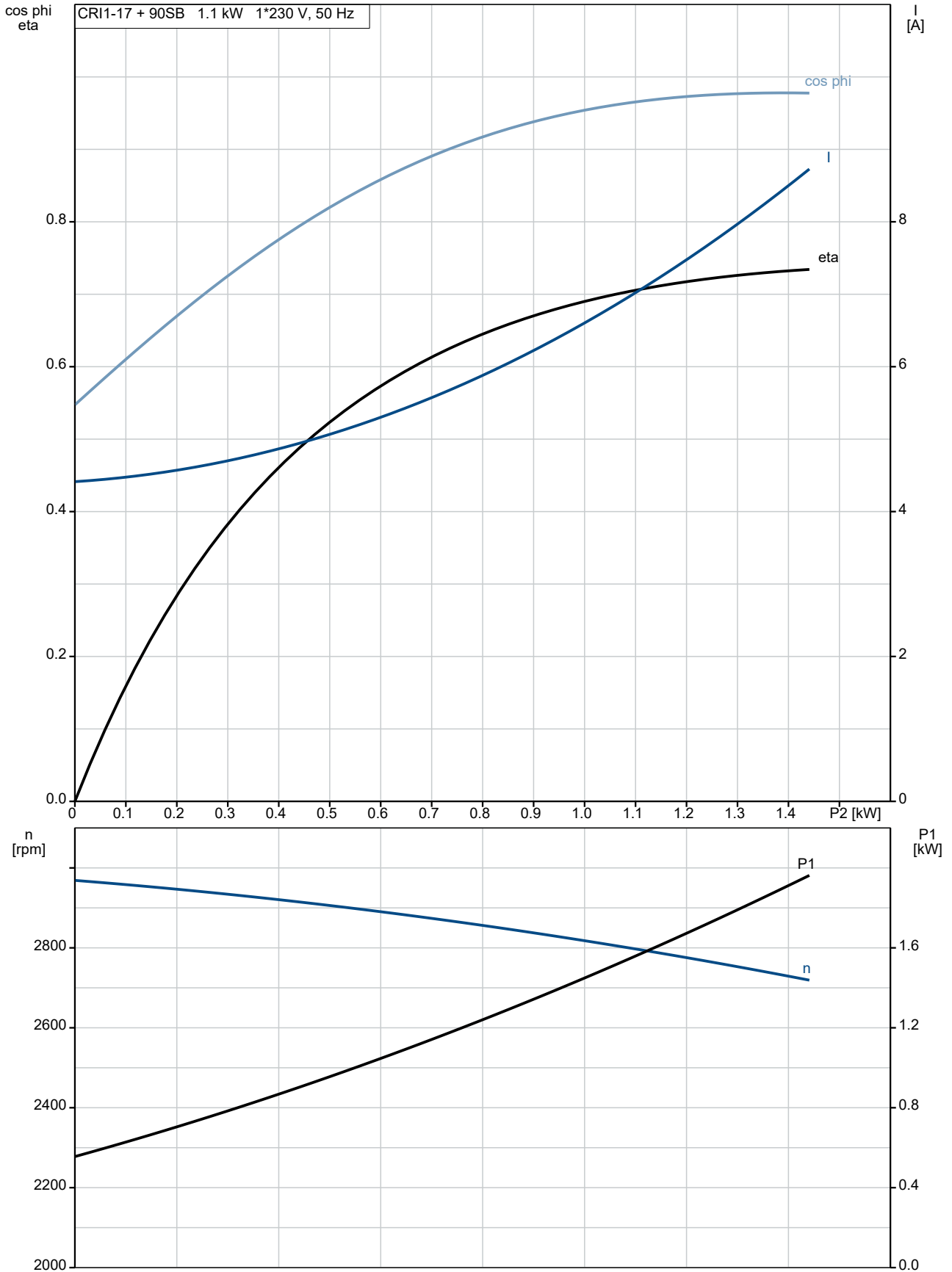
Phone:

Date:

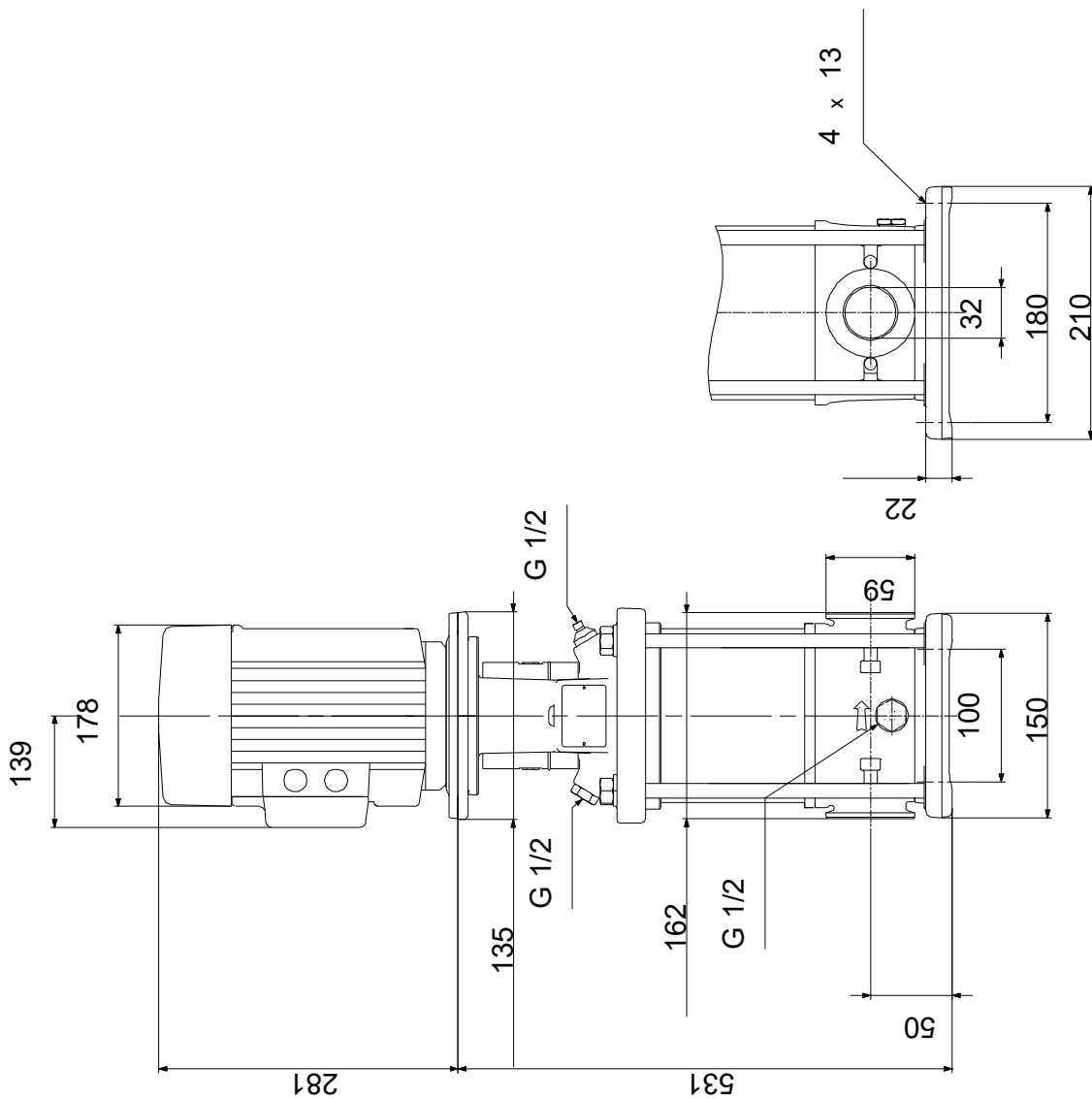
13/07/2021

Description	Value
Cos phi - power factor:	0.98/0.99
Rated speed:	2770 rpm
Motor efficiency at full load:	73-71 %
Number of poles:	2
Enclosure class (IEC 34-5):	55 Dust/Jetting
Insulation class (IEC 85):	F
Motor protec:	PTO
Motor No:	85215705
Controls:	
Frequency converter:	NONE
Others:	
Minimum efficiency index, MEI ≥:	0.70
Net weight:	34.9 kg
Gross weight:	39 kg
Shipping volume:	0.092 m ³
Sales region:	GB

96533345 CRI 1-17 A-CA-A-V-HQQV 50 Hz

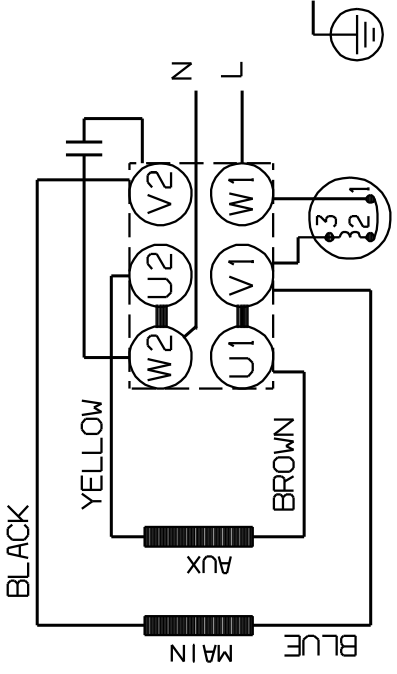

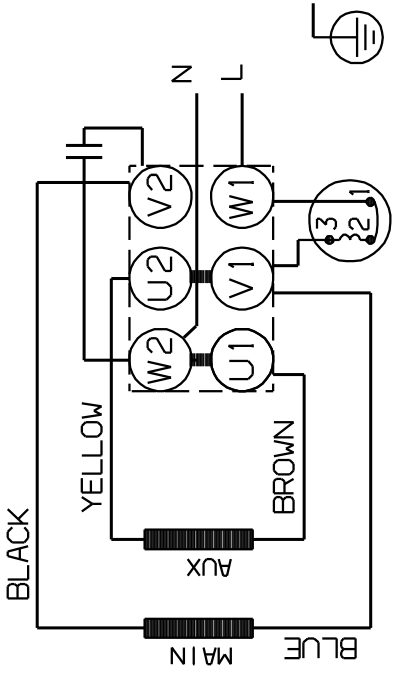
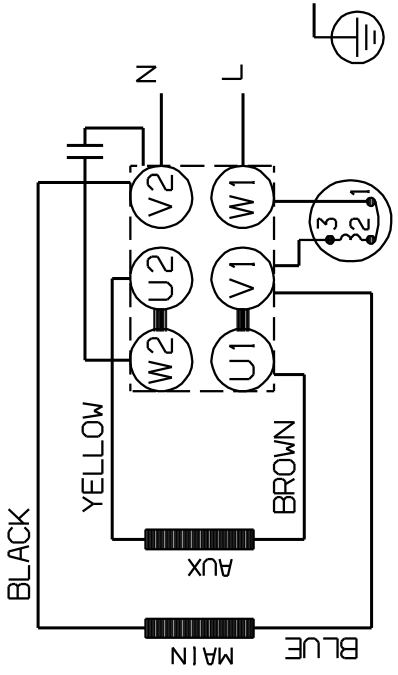


96533345 CRI 1-17 A-CA-A-V-HQQV 50 Hz



Note! All units are in [mm] unless others are stated.
Disclaimer: This simplified dimensional drawing does not show all details.

96533345 CRI 1-17 A-CA-A-V-HQQV 50 Hz

DIRECTION OF ROTATION	
DIRECTION OF ROTATION	
	
	
	HIGH VOLTAGE
	LOW VOLTAGE

Note! All units are in [mm] unless others are stated.