
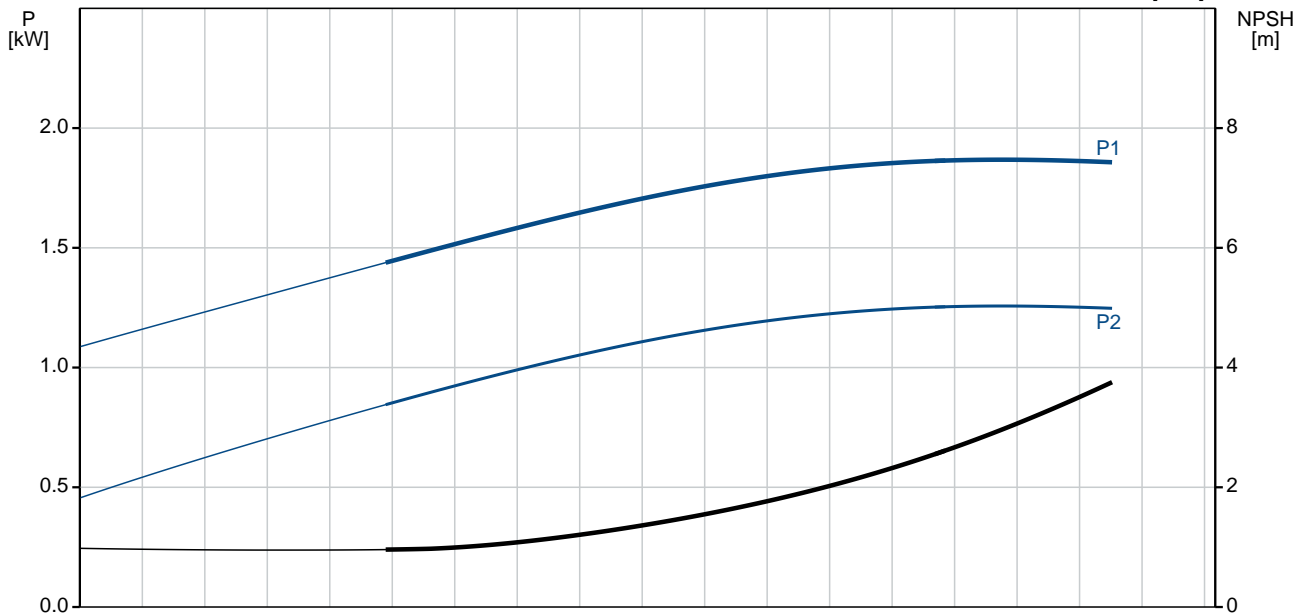
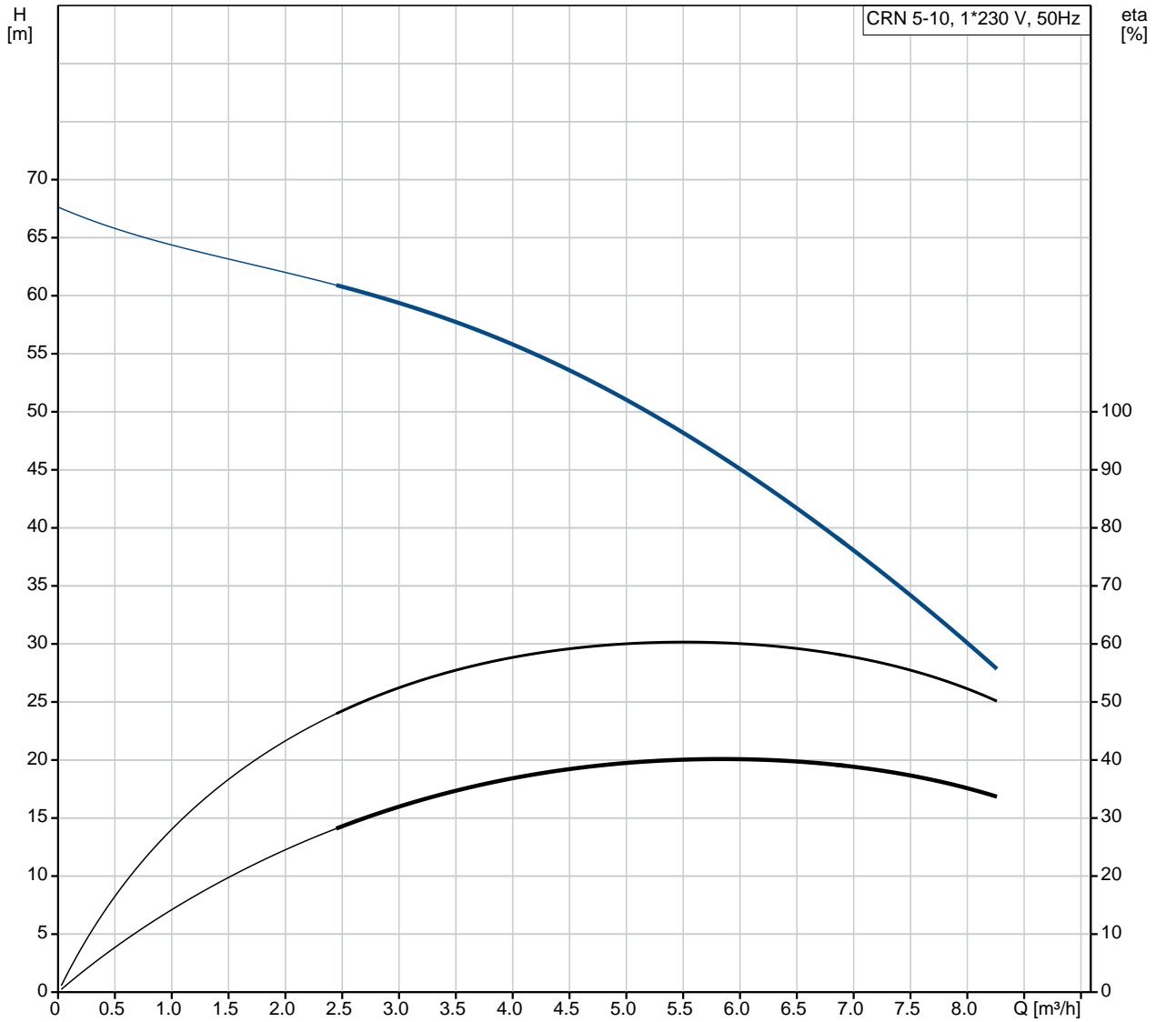


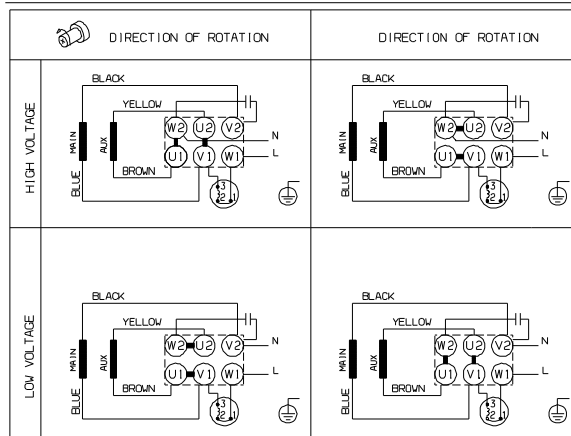
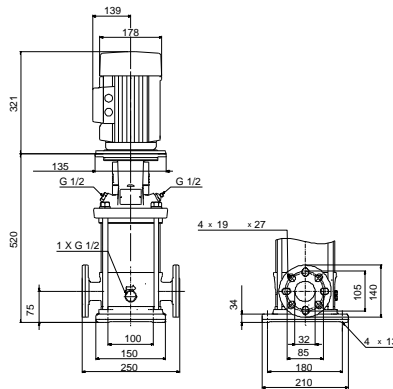
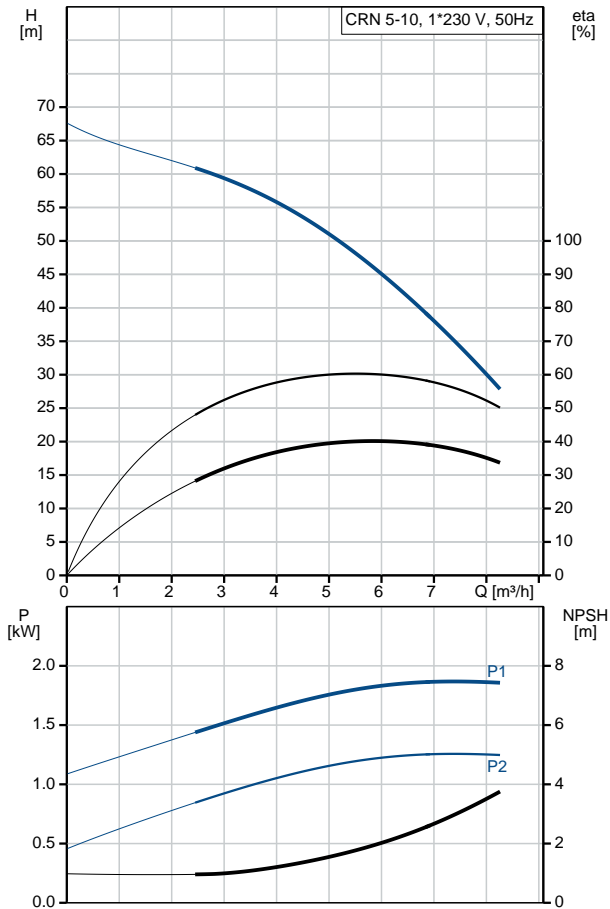
Qty.	Description
1	<p data-bbox="199 336 526 369"><b>CRN 5-10 A-FGJ-H-E-HQQE</b></p>  <p data-bbox="199 660 470 683">Product No.: <a href="#">96533300</a></p> <p data-bbox="199 716 1404 817">Vertical, multistage centrifugal pump with inlet and outlet ports on same the level (inline). Pump materials in contact with the liquid are in high-grade stainless steel. A cartridge shaft seal ensures high reliability, safe handling, and easy access and service. Power transmission is via a rigid split coupling. Pipe connection is via combined DIN-ANSI-JIS flanges.</p> <p data-bbox="199 862 933 884">The pump is fitted with a 1-phase, fan-cooled asynchronous motor.</p> <p data-bbox="199 918 319 940"><b>Controls:</b></p> <p data-bbox="199 952 638 974">Frequency converter: NONE</p> <p data-bbox="199 1008 287 1030"><b>Liquid:</b></p> <p data-bbox="199 1041 638 1064">Pumped liquid: Water</p> <p data-bbox="199 1070 710 1093">Liquid temperature range: -20 .. 120 °C</p> <p data-bbox="199 1099 686 1122">Liquid temperature during operation: 20 °C</p> <p data-bbox="199 1128 702 1151">Density: 998.2 kg/m<sup>3</sup></p> <p data-bbox="199 1187 327 1209"><b>Technical:</b></p> <p data-bbox="199 1220 821 1243">Pump speed on which pump data are based: 2767 rpm</p> <p data-bbox="199 1249 662 1272">Rated flow: 5.8 m<sup>3</sup>/h</p> <p data-bbox="199 1279 646 1301">Rated head: 45.4 m</p> <p data-bbox="199 1308 646 1330">Pump orientation: Vertical</p> <p data-bbox="199 1337 638 1359">Shaft seal arrangement: Single</p> <p data-bbox="199 1366 638 1388">Code for shaft seal: HQQE</p> <p data-bbox="199 1395 726 1417">Approvals on nameplate: CE, EAC,ACS</p> <p data-bbox="199 1424 766 1447">Curve tolerance: ISO9906:2012 3B</p> <p data-bbox="199 1482 319 1505"><b>Materials:</b></p> <p data-bbox="199 1516 726 1601">Base: Stainless steel EN 1.4408 AISI 316</p> <p data-bbox="199 1608 726 1693">Impeller: Stainless steel EN 1.4401 AISI 316</p> <p data-bbox="199 1700 606 1722">Bearing: SIC</p> <p data-bbox="199 1758 343 1780"><b>Installation:</b></p> <p data-bbox="199 1787 630 1809">Maximum ambient temperature: 40 °C</p> <p data-bbox="199 1816 638 1839">Maximum operating pressure: 25 bar</p> <p data-bbox="199 1845 742 1899">Max pressure at stated temp: 25 bar / 120 °C 25 bar / -20 °C</p> <p data-bbox="199 1906 742 1928">Type of connection: DIN / ANSI / JIS</p> <p data-bbox="199 1935 678 1998">Size of inlet connection: DN 25/32 1 1/4 inch</p> <p data-bbox="199 2004 678 2058">Size of outlet connection: DN 25/32 1 1/4 inch</p> <p data-bbox="199 2065 686 2087">Pressure rating for pipe connection: PN 25</p> <p data-bbox="199 2094 638 2116">Flange rating inlet: 300 lb</p>

Qty.	Description
	<p data-bbox="201 338 639 365">Flange size for motor: FT115</p> <p data-bbox="201 398 379 425"><b>Electrical data:</b></p> <p data-bbox="201 427 608 454">Motor standard: IEC</p> <p data-bbox="201 456 624 483">Motor type: 90LB</p> <p data-bbox="201 486 644 512">Rated power - P2: 1.5 kW</p> <p data-bbox="201 515 644 542">Power (P2) required by pump: 1.5 kW</p> <p data-bbox="201 544 632 571">Mains frequency: 50 Hz</p> <p data-bbox="201 573 767 600">Rated voltage: 1 x 220-230/240 V</p> <p data-bbox="201 602 692 629">Rated current: 9.90/8.90 A</p> <p data-bbox="201 631 636 658">Starting current: 390 %</p> <p data-bbox="201 660 671 687">Cos phi - power factor: 0.98/0.99</p> <p data-bbox="201 689 735 716">Rated speed: 2750/2740 rpm</p> <p data-bbox="201 719 660 745">Motor efficiency at full load: 72-70 %</p> <p data-bbox="201 748 580 775">Number of poles: 2</p> <p data-bbox="201 777 740 804">Enclosure class (IEC 34-5): 55 Dust/Jetting</p> <p data-bbox="201 806 580 833">Insulation class (IEC 85): F</p> <p data-bbox="201 866 293 893"><b>Others:</b></p> <p data-bbox="201 896 671 922">Minimum efficiency index, MEI <math>\eta_{min}</math>: 0.57</p> <p data-bbox="201 925 647 952">Net weight: 36.9 kg</p> <p data-bbox="201 954 647 981">Gross weight: 39.8 kg</p> <p data-bbox="201 983 652 1010">Shipping volume: 0.13 m<sup>3</sup></p> <p data-bbox="201 1012 603 1039">Country of origin: GB</p> <p data-bbox="201 1041 676 1068">Custom tariff no.: 84137075</p>

## 96533300 CRN 5-10 A-FGJ-H-E-HQQE 50 Hz



Description	Value
<b>General information:</b>	
Product name:	CRN 5-10 A-FGJ-H-E-HQQE
Product No:	96533300
EAN number:	5700397444948
Price:	1.678,00 GBP
<b>Technical:</b>	
Pump speed on which pump data are based:	2767 rpm
Rated flow:	5.8 m <sup>3</sup> /h
Rated head:	45.4 m
Head max:	66.3 m
Stages:	10
Impellers:	10
Number of reduced-diameter impellers:	0
Low NPSH:	N
Pump orientation:	Vertical
Shaft seal arrangement:	Single
Code for shaft seal:	HQQE
Approvals on nameplate:	CE, EAC, ACS
Curve tolerance:	ISO9906:2012 3B
Pump version:	A
Model:	A
<b>Materials:</b>	
Base:	Stainless steel EN 1.4408 AISI 316
Impeller:	Stainless steel EN 1.4401 AISI 316
Material code:	H
Code for rubber:	E
Bearing:	SIC
<b>Installation:</b>	
Maximum ambient temperature:	40 °C
Maximum operating pressure:	25 bar
Max pressure at stated temp:	25 bar / 120 °C 25 bar / -20 °C
Type of connection:	DIN / ANSI / JIS
Size of inlet connection:	DN 25/32 1 1/4 inch
Size of outlet connection:	DN 25/32 1 1/4 inch
Pressure rating for pipe connection:	PN 25
Flange rating inlet:	300 lb
Flange size for motor:	FT115
Connect code:	FGJ
<b>Liquid:</b>	
Pumped liquid:	Water
Liquid temperature range:	-20 .. 120 °C
Liquid temperature during operation:	20 °C
Density:	998.2 kg/m <sup>3</sup>
<b>Electrical data:</b>	
Motor standard:	IEC
Motor type:	90LB
Rated power - P2:	1.5 kW
Power (P2) required by pump:	1.5 kW
Mains frequency:	50 Hz
Rated voltage:	1 x 220-230/240 V





Company name:

Created by:

Phone:

Date:

07/03/2019

Description	Value
Rated current:	9.90/8.90 A
Starting current:	390 %
Cos phi - power factor:	0.98/0.99
Rated speed:	2750/2740 rpm
Motor efficiency at full load:	72-70 %
Number of poles:	2
Enclosure class (IEC 34-5):	55 Dust/Jetting
Insulation class (IEC 85):	F
Motor protec:	PTO
Motor No:	85215706
<b>Controls:</b>	
Frequency converter:	NONE
<b>Others:</b>	
Minimum efficiency index, MEI $\eta$ %:	0.57
Net weight:	36.9 kg
Gross weight:	39.8 kg
Shipping volume:	0.13 m <sup>3</sup>
Sales region:	Great Britain
Country of origin:	GB
Custom tariff no.:	84137075

## 96533300 CRN 5-10 A-FGJ-H-E-HQQE 50 Hz

