

Qty. Description

1 CRN 5-6 A-FGJ-H-E-HQQE



Product No.: [96533296](#)

Vertical, multistage centrifugal pump with inlet and outlet ports on same the level (inline). Pump materials in contact with the liquid are in high-grade stainless steel. A cartridge shaft seal ensures high reliability, safe handling, and easy access and service. Power transmission is via a rigid split coupling. Pipe connection is via combined DIN-ANSI-JIS flanges.

The pump is fitted with a 1-phase, fan-cooled asynchronous motor.

Controls:

Frequency converter: NONE

Liquid:

Pumped liquid: Water
 Liquid temperature range: -20 .. 120 °C
 Liquid temperature during operation: 20 °C
 Density: 998.2 kg/m³

Technical:

Pump speed on which pump data are based: 2789 rpm
 Rated flow: 5.8 m³/h
 Rated head: 28.7 m
 Pump orientation: Vertical
 Shaft seal arrangement: Single
 Code for shaft seal: HQQE
 Approvals on nameplate: CE, EAC, ACS
 Curve tolerance: ISO9906:2012 3B

Materials:

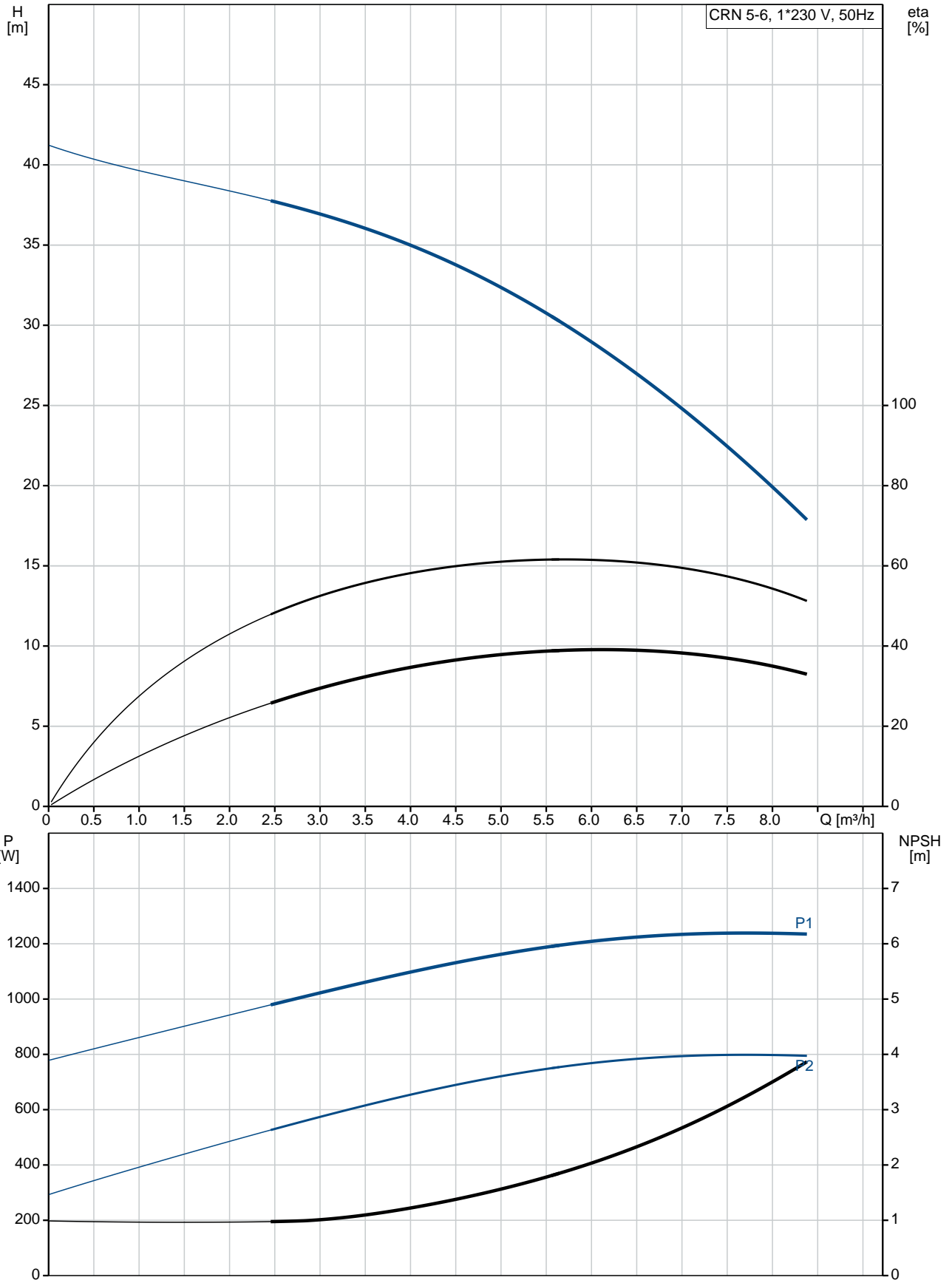
Base: Stainless steel
 EN 1.4408
 AISI 316
 Impeller: Stainless steel
 EN 1.4401
 AISI 316
 Bearing: SIC

Installation:

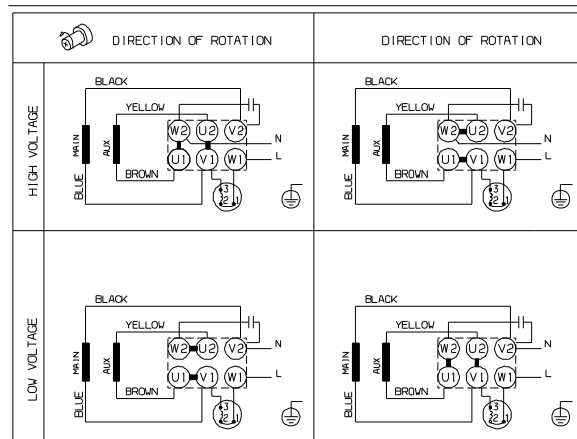
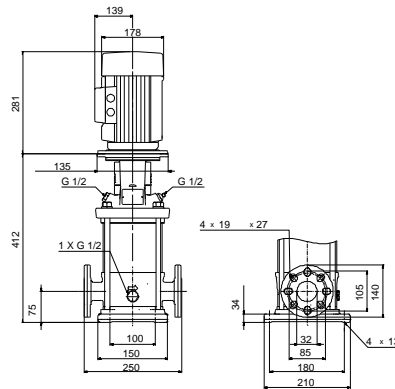
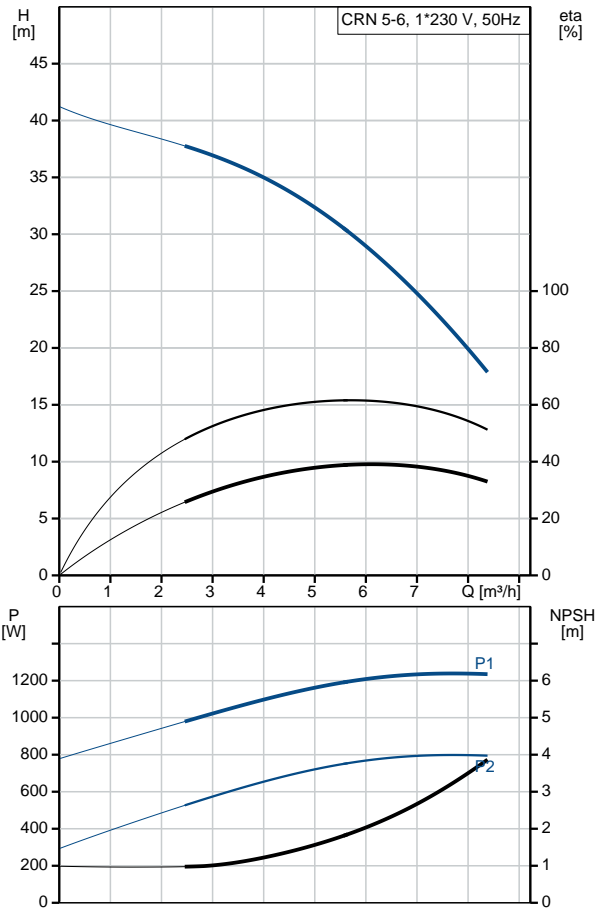
Maximum ambient temperature: 40 °C
 Maximum operating pressure: 25 bar
 Max pressure at stated temp: 25 bar / 120 °C
 25 bar / -20 °C
 Type of connection: DIN / ANSI / JIS
 Size of inlet connection: DN 25/32
 1 1/4 inch
 Size of outlet connection: DN 25/32
 1 1/4 inch
 Pressure rating for pipe connection: PN 25
 Flange rating inlet: 300 lb

Qty.	Description
	<p>Flange size for motor: FT115</p> <p>Electrical data:</p> <p>Motor standard: IEC</p> <p>Motor type: 90SB</p> <p>Rated power - P2: 1.1 kW</p> <p>Power (P2) required by pump: 1.1 kW</p> <p>Mains frequency: 50 Hz</p> <p>Rated voltage: 1 x 220-230/240 V</p> <p>Rated current: 7.40/6.70 A</p> <p>Starting current: 390 %</p> <p>Cos phi - power factor: 0.98/0.99</p> <p>Rated speed: 2770 rpm</p> <p>Motor efficiency at full load: 73-71 %</p> <p>Number of poles: 2</p> <p>Enclosure class (IEC 34-5): 55 Dust/Jetting</p> <p>Insulation class (IEC 85): F</p> <p>Others:</p> <p>Minimum efficiency index, MEI η_{min}: 0.57</p> <p>Net weight: 33.7 kg</p> <p>Gross weight: 36.3 kg</p> <p>Shipping volume: 0.094 m³</p> <p>Country of origin: GB</p> <p>Custom tariff no.: 84137075</p>

96533296 CRN 5-6 A-FGJ-H-E-HQQE 50 Hz



Description	Value
General information:	
Product name:	CRN 5-6
	A-FGJ-H-E-HQQE
Product No:	96533296
EAN number:	5700397443804
Price:	1.339,00 GBP
Technical:	
Pump speed on which pump data are based:	2789 rpm
Rated flow:	5.8 m ³ /h
Rated head:	28.7 m
Head max:	40.5 m
Stages:	6
Impellers:	6
Number of reduced-diameter impellers:	0
Low NPSH:	N
Pump orientation:	Vertical
Shaft seal arrangement:	Single
Code for shaft seal:	HQQE
Approvals on nameplate:	CE, EAC, ACS
Curve tolerance:	ISO9906:2012 3B
Pump version:	A
Model:	A
Materials:	
Base:	Stainless steel
	EN 1.4408
	AISI 316
Impeller:	Stainless steel
	EN 1.4401
	AISI 316
Material code:	H
Code for rubber:	E
Bearing:	SIC
Installation:	
Maximum ambient temperature:	40 °C
Maximum operating pressure:	25 bar
Max pressure at stated temp:	25 bar / 120 °C
	25 bar / -20 °C
Type of connection:	DIN / ANSI / JIS
Size of inlet connection:	DN 25/32
	1 1/4 inch
Size of outlet connection:	DN 25/32
	1 1/4 inch
Pressure rating for pipe connection:	PN 25
Flange rating inlet:	300 lb
Flange size for motor:	FT115
Connect code:	FGJ
Liquid:	
Pumped liquid:	Water
Liquid temperature range:	-20 .. 120 °C
Liquid temperature during operation:	20 °C
Density:	998.2 kg/m ³
Electrical data:	
Motor standard:	IEC
Motor type:	90SB
Rated power - P2:	1.1 kW
Power (P2) required by pump:	1.1 kW
Mains frequency:	50 Hz
Rated voltage:	1 x 220-230/240 V





Company name:

Created by:

Phone:

Date:

07/03/2019

Description	Value
Rated current:	7.40/6.70 A
Starting current:	390 %
Cos phi - power factor:	0.98/0.99
Rated speed:	2770 rpm
Motor efficiency at full load:	73-71 %
Number of poles:	2
Enclosure class (IEC 34-5):	55 Dust/Jetting
Insulation class (IEC 85):	F
Motor protec:	PTO
Motor No:	85215705
Controls:	
Frequency converter:	NONE
Others:	
Minimum efficiency index, MEI %:	0.57
Net weight:	33.7 kg
Gross weight:	36.3 kg
Shipping volume:	0.094 m ³
Sales region:	Great Britain
Country of origin:	GB
Custom tariff no.:	84137075

96533296 CRN 5-6 A-FGJ-H-E-HQQE 50 Hz

