

Qty. Description

1 CRI 5-11 A-CA-A-V-HQQV



Note! Product picture may differ from actual product

Product No.: [96533286](#)

Vertical, multistage centrifugal pump with inlet and outlet ports on same the level (inline). Pump materials in contact with the liquid are in stainless steel. A cartridge shaft seal ensures high reliability, safe handling, and easy access and service. Power transmission is via a rigid split coupling. Pipe connection is via FlexiClamps.

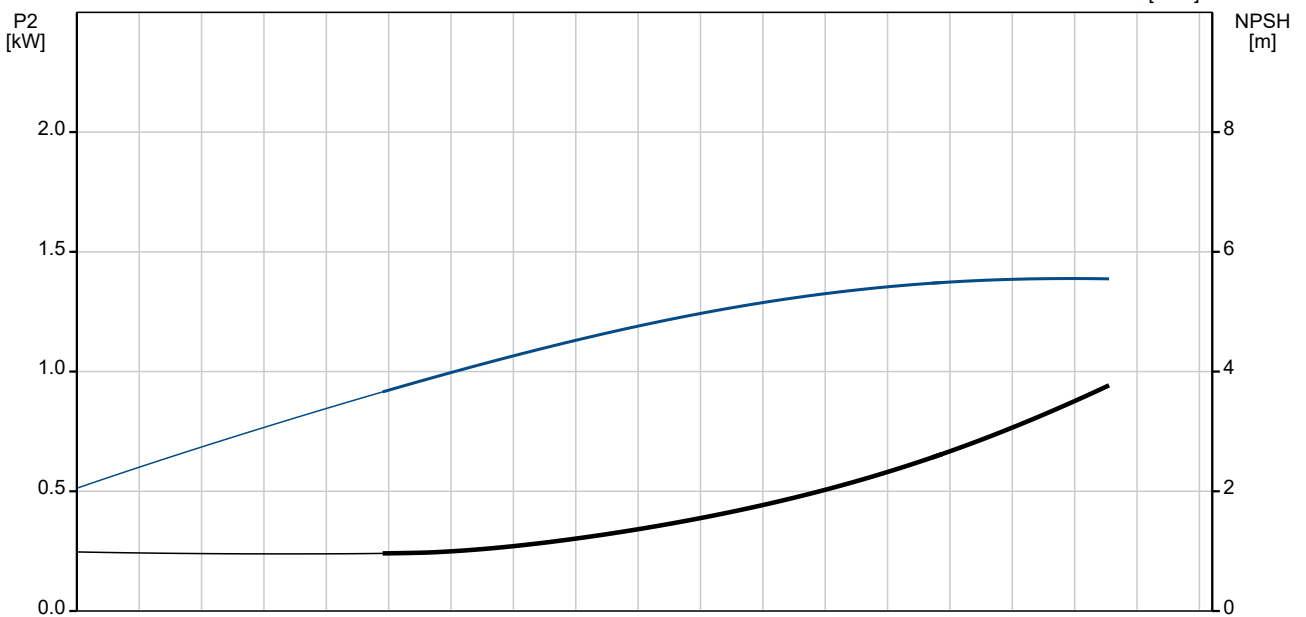
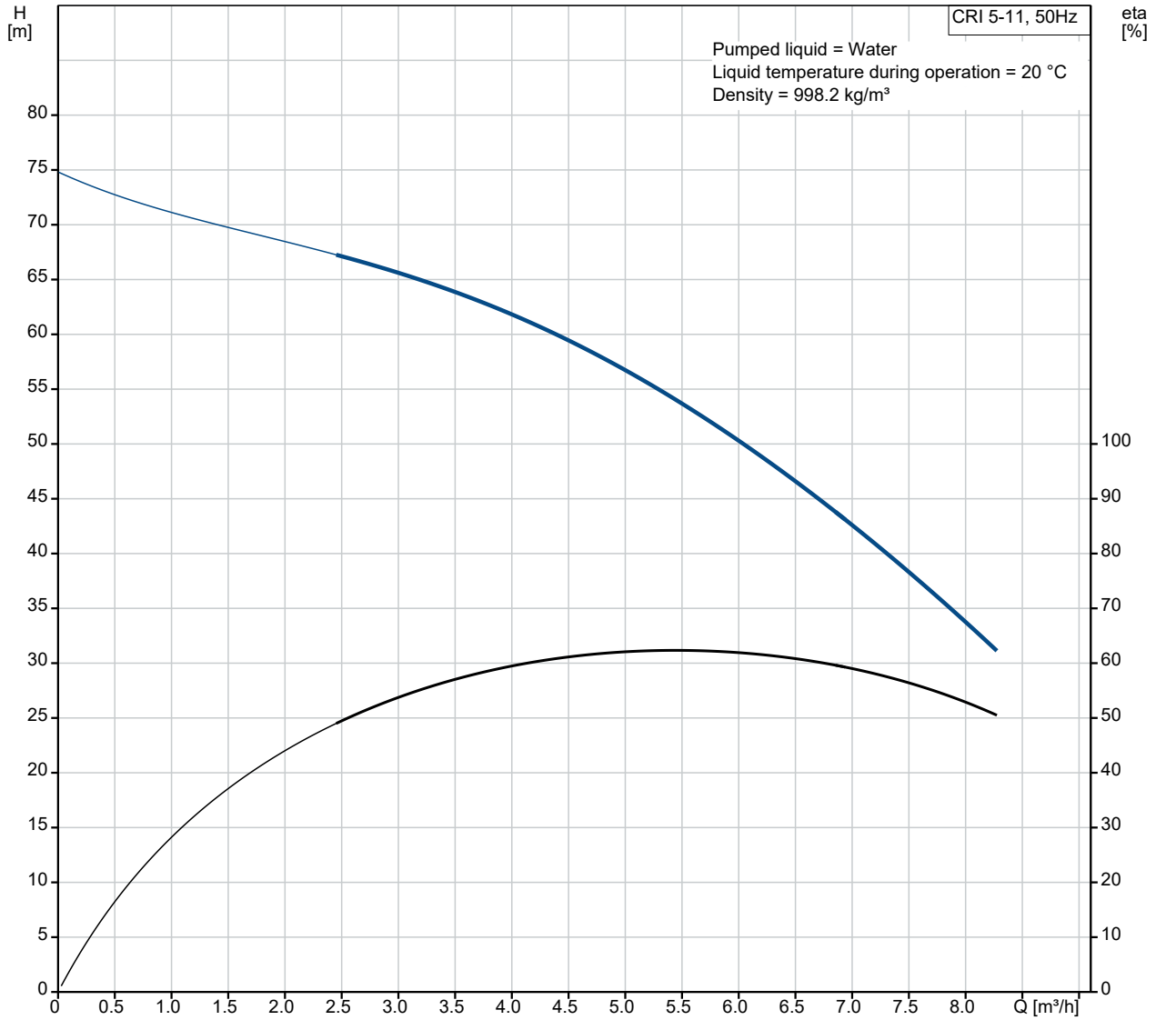
The pump is fitted with a 1-phase, fan-cooled asynchronous motor.

Liquid:
Pumped liquid: Water
Liquid temperature range: -20 .. 90 °C
Selected liquid temperature: 20 °C
Density: 998.2 kg/m³

Technical:

Qty.	Description
	<p>Pump speed on which pump data are based: 2730 rpm</p> <p>Rated flow: 5.8 m³/h</p> <p>Rated head: 51.3 m</p> <p>Pump orientation: Vertical</p> <p>Shaft seal arrangement: Single</p> <p>Code for shaft seal: HQQV</p> <p>Approvals: CE, EAC, UKCA</p> <p>Approvals for drinking water: WRAS</p> <p>Curve tolerance: ISO9906:2012 3B</p> <p>Materials:</p> <p>Base: Stainless steel EN 1.4408 AISI 316</p> <p>Impeller: Stainless steel EN 1.4301 AISI 304</p> <p>Bearing: SIC</p> <p>Installation:</p> <p>Maximum ambient temperature: 40 °C</p> <p>Maximum operating pressure: 25 bar</p> <p>Max pressure at stated temp: 25 bar / 90 °C 25 bar / -20 °C</p> <p>Type of connection: FlexiClamp</p> <p>Size of inlet connection: DN 32</p> <p>Size of outlet connection: DN 32</p> <p>Pressure rating for connection: PN 25</p> <p>Flange size for motor: FT115</p> <p>Electrical data:</p> <p>Motor standard: IEC</p> <p>Motor type: 90LC</p> <p>Rated power - P2: 2.2 kW</p> <p>Power (P2) required by pump: 2.2 kW</p> <p>Mains frequency: 50 Hz</p> <p>Rated voltage: 1 x 220-230/240 V</p> <p>Rated current: 14,0-13,6/12,6 A</p> <p>Starting current: 330 %</p> <p>Cos phi - power factor: 1.00</p> <p>Rated speed: 2730/2720 rpm</p> <p>Motor efficiency at full load: 75 %</p> <p>Number of poles: 2</p> <p>Enclosure class (IEC 34-5): 55 Dust/Jetting</p> <p>Insulation class (IEC 85): F</p> <p>Motor No: 85215708</p> <p>Controls:</p> <p>Frequency converter: NONE</p> <p>Others:</p> <p>Minimum efficiency index, MEI ≥: 0.57</p> <p>Net weight: 39.8 kg</p> <p>Gross weight: 43.9 kg</p> <p>Shipping volume: 0.092 m³</p>

96533286 CRI 5-11 A-CA-A-V-HQQV 50 Hz



Description	Value
-------------	-------

General information:

Product name: CRI 5-11
A-CA-A-V-HQQV

Product No: 96533286

EAN number: 5700397442609

Price:

Technical:

Pump speed on which pump data are based: 2730 rpm

Rated flow: 5.8 m³/h

Rated head: 51.3 m

Maximum head: 73.4 m

Stages: 11

Impellers: 11

Number of reduced-diameter impellers: 0

Low NPSH: N

Pump orientation: Vertical

Shaft seal arrangement: Single

Code for shaft seal: HQQV

Approvals: CE,EAC,UKCA

Approvals for drinking water: WRAS

Curve tolerance: ISO9906:2012 3B

Pump version: A

Model: A

Materials:

Base: Stainless steel

Base: EN 1.4408

Base: AISI 316

Impeller: Stainless steel

Impeller: EN 1.4301

Impeller: AISI 304

Material code: A

Code for rubber: V

Bearing: SIC

Installation:

Maximum ambient temperature: 40 °C

Maximum operating pressure: 25 bar

Max pressure at stated temp: 25 bar / 90 °C

Max pressure at stated temp: 25 bar / -20 °C

Type of connection: FlexiClamp

Size of inlet connection: DN 32

Size of outlet connection: DN 32

Pressure rating for connection: PN 25

Flange size for motor: FT115

Connect code: CA

Liquid:

Pumped liquid: Water

Liquid temperature range: -20 .. 90 °C

Selected liquid temperature: 20 °C

Density: 998.2 kg/m³

Electrical data:

Motor standard: IEC

Motor type: 90LC

Rated power - P2: 2.2 kW

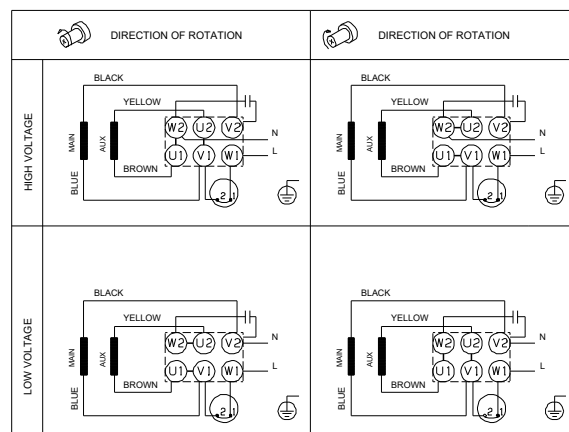
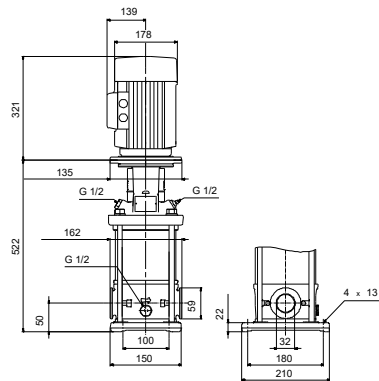
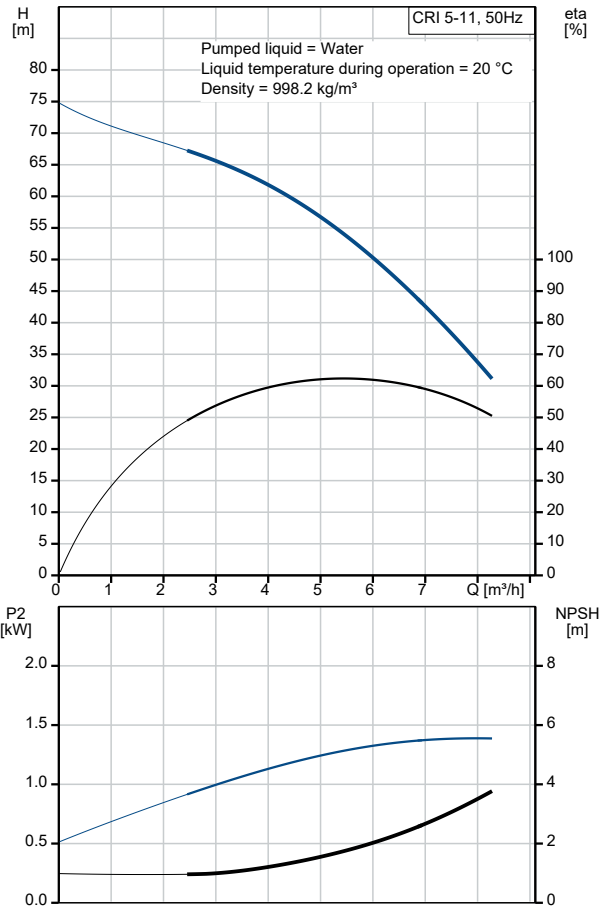
Power (P2) required by pump: 2.2 kW

Mains frequency: 50 Hz

Rated voltage: 1 x 220-230/240 V

Rated current: 14,0-13,6/12,6 A

Starting current: 330 %





Company name:

Created by:

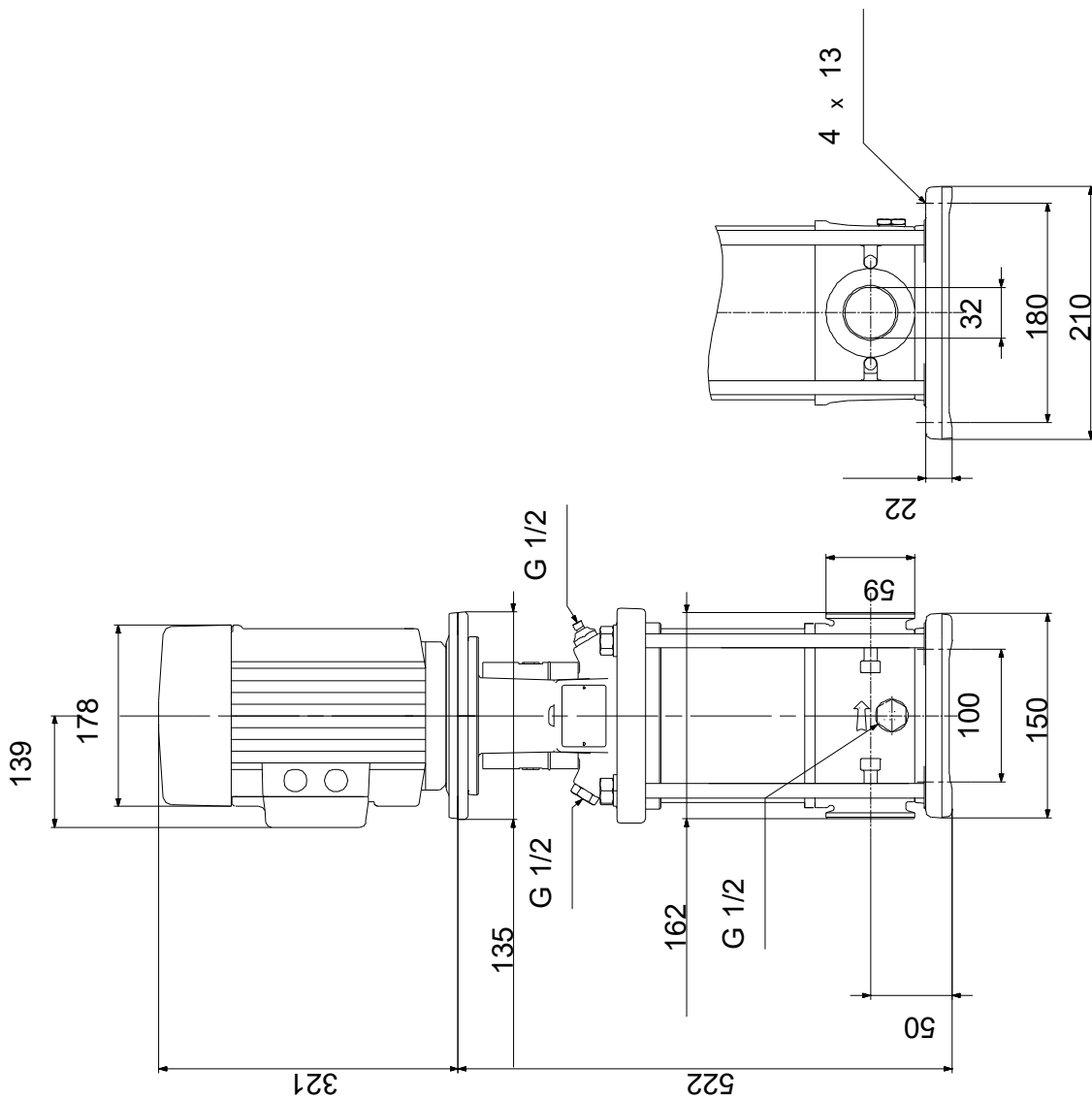
Phone:

Date:

15/07/2021

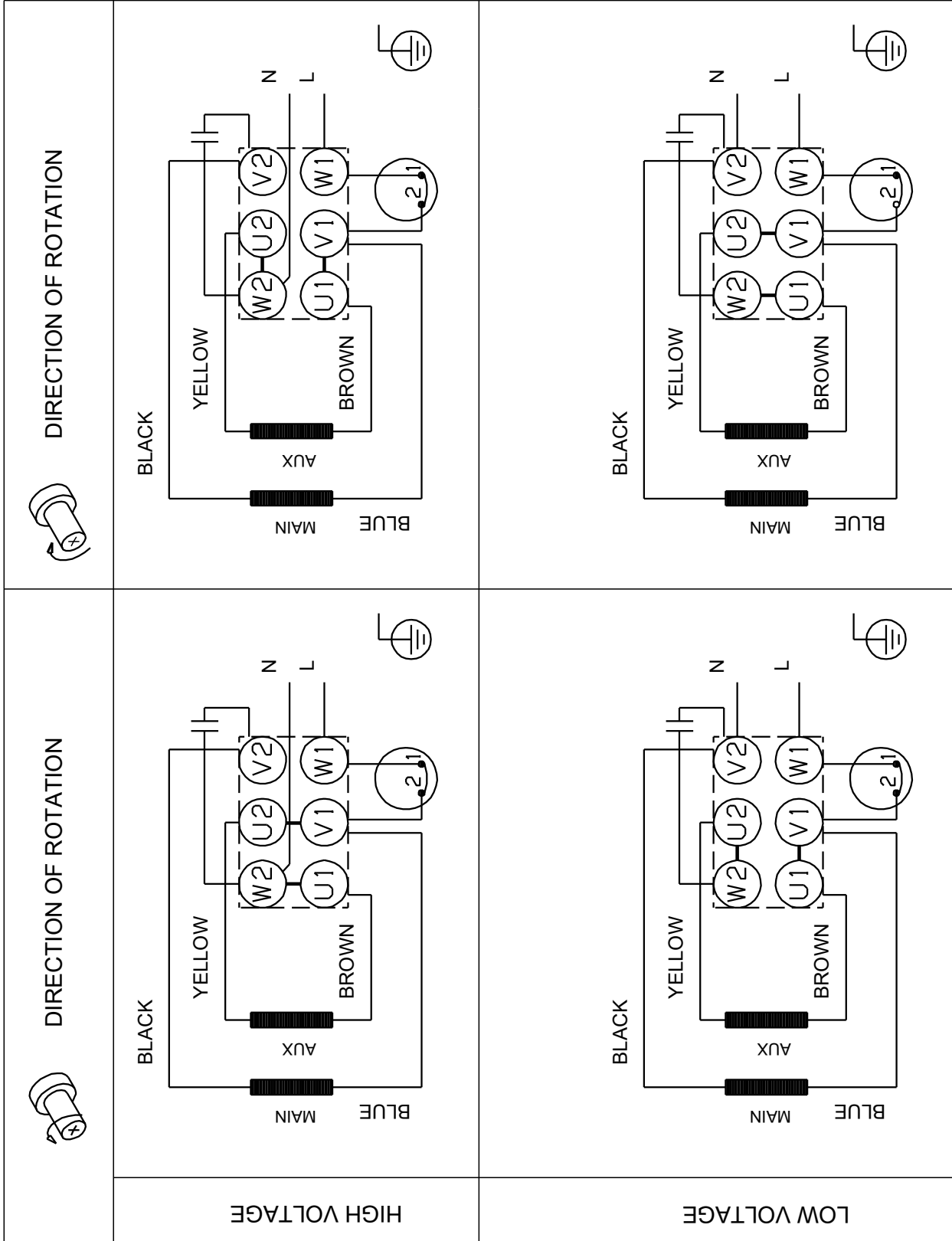
Description	Value
Cos phi - power factor:	1.00
Rated speed:	2730/2720 rpm
Motor efficiency at full load:	75 %
Number of poles:	2
Enclosure class (IEC 34-5):	55 Dust/Jetting
Insulation class (IEC 85):	F
Motor protec:	PTO
Motor No:	85215708
Controls:	
Frequency converter:	NONE
Others:	
Minimum efficiency index, MEI ≥:	0.57
Net weight:	39.8 kg
Gross weight:	43.9 kg
Shipping volume:	0.092 m ³
Sales region:	GB

96533286 CRI 5-11 A-CA-A-V-HQQV 50 Hz



Note! All units are in [mm] unless others are stated.
Disclaimer: This simplified dimensional drawing does not show all details.

96533286 CRI 5-11 A-CA-A-V-HQQV 50 Hz



Note! All units are in [mm] unless others are stated.