

Qty. Description

1 CRI 5-9 A-CA-A-V-HQQV



Note! Product picture may differ from actual product

Product No.: [96533284](#)

Vertical, multistage centrifugal pump with inlet and outlet ports on same the level (inline). Pump materials in contact with the liquid are in stainless steel. A cartridge shaft seal ensures high reliability, safe handling, and easy access and service. Power transmission is via a rigid split coupling. Pipe connection is via FlexiClamps.

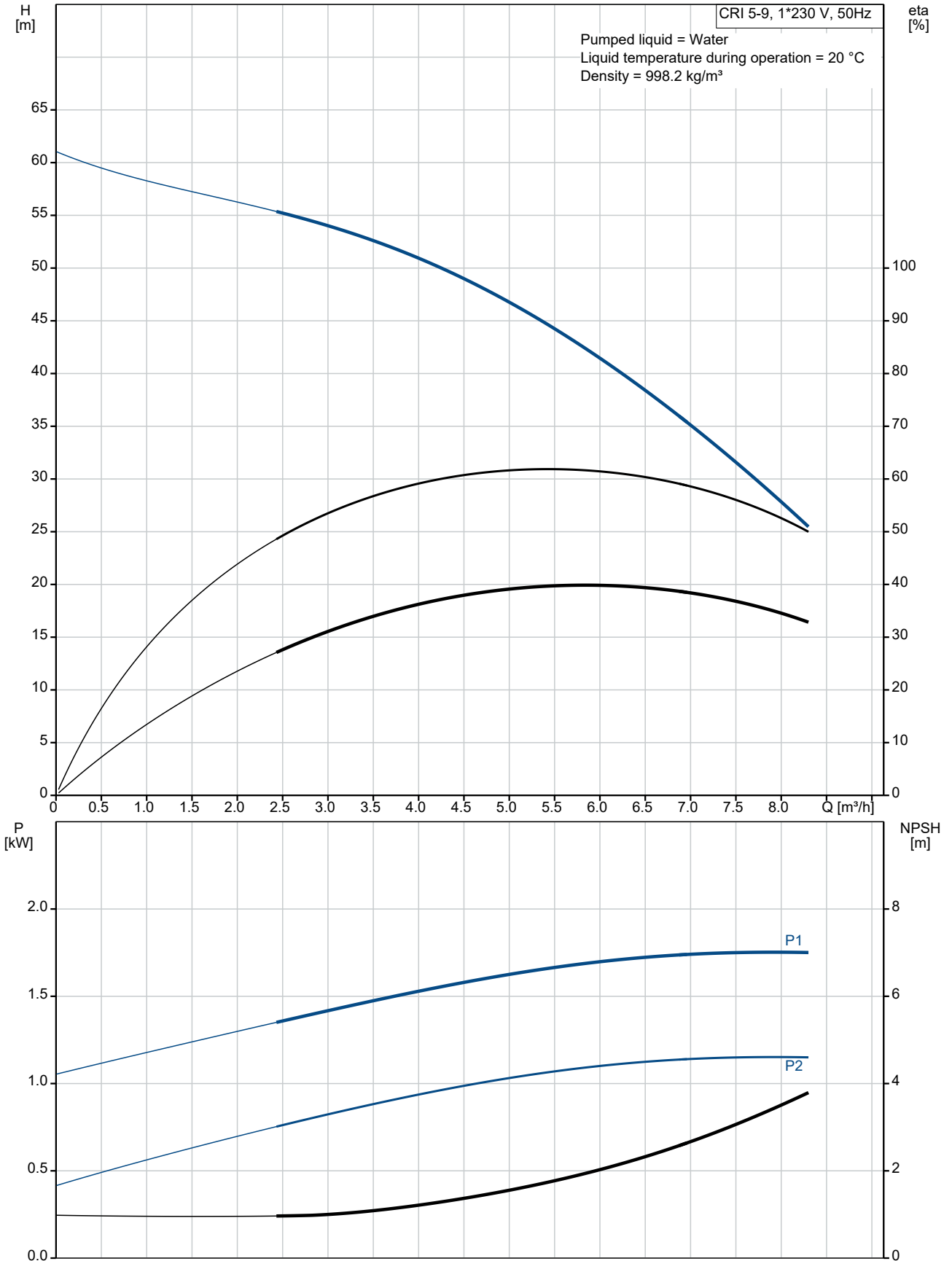
The pump is fitted with a 1-phase, fan-cooled asynchronous motor.

Liquid:  
Pumped liquid: Water  
Liquid temperature range: -20 .. 90 °C  
Selected liquid temperature: 20 °C  
Density: 998.2 kg/m<sup>3</sup>

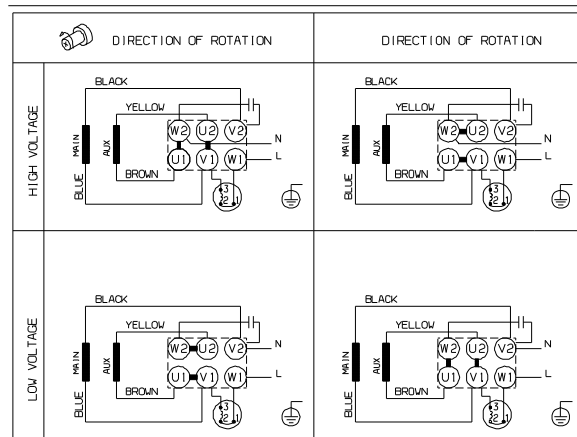
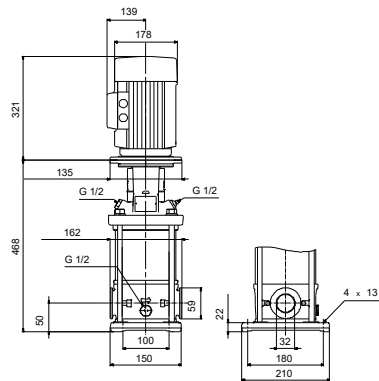
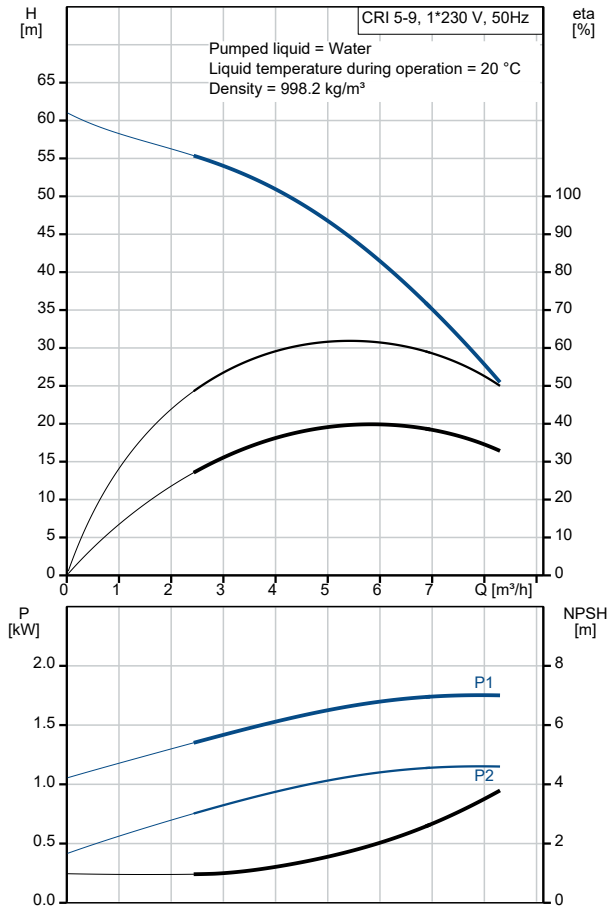
Technical:

| Qty. | Description  |
|------|--|
|      | Pump speed on which pump data are based: 2767 rpm<br>Rated flow: 5.8 m <sup>3</sup> /h<br>Rated head: 42.2 m<br>Pump orientation: Vertical<br>Shaft seal arrangement: Single<br>Code for shaft seal: HQQV<br>Approvals: CE,EAC,UKCA<br>Approvals for drinking water: WRAS<br>Curve tolerance: ISO9906:2012 3B<br><br>Materials:<br>Base: Stainless steel<br>EN 1.4408<br>AISI 316<br>Impeller: Stainless steel<br>EN 1.4301<br>AISI 304<br>Bearing: SIC<br><br>Installation:<br>Maximum ambient temperature: 40 °C<br>Maximum operating pressure: 25 bar<br>Max pressure at stated temp: 25 bar / 90 °C<br>25 bar / -20 °C<br>Type of connection: FlexiClamp<br>Size of inlet connection: DN 32<br>Size of outlet connection: DN 32<br>Pressure rating for connection: PN 25<br>Flange size for motor: FT115<br><br>Electrical data:<br>Motor standard: IEC<br>Motor type: 90LB<br>Rated power - P2: 1.5 kW<br>Power (P2) required by pump: 1.5 kW<br>Mains frequency: 50 Hz<br>Rated voltage: 1 x 220-230/240 V<br>Rated current: 9.90/8.90 A<br>Starting current: 390 %<br>Cos phi - power factor: 0.98/0.99<br>Rated speed: 2750/2740 rpm<br>Motor efficiency at full load: 72-70 %<br>Number of poles: 2<br>Enclosure class (IEC 34-5): 55 Dust/Jetting<br>Insulation class (IEC 85): F<br>Motor No: 85215706<br><br>Controls:<br>Frequency converter: NONE<br><br>Others:<br>Minimum efficiency index, MEI ≥: 0.57<br>Net weight: 34.1 kg<br>Gross weight: 38.2 kg<br>Shipping volume: 0.092 m <sup>3</sup> |

## 96533284 CRI 5-9 A-CA-A-V-HQQV 50 Hz



| Description                              | Value                    |
|--|--------------------------|
| <b>General information:</b>              |                          |
| Product name:                            | CRI 5-9<br>A-CA-A-V-HQQV |
| Product No:                              | 96533284                 |
| EAN number:                              | 5700397442586            |
| Price:                                   |                          |
| <b>Technical:</b>                        |                          |
| Pump speed on which pump data are based: | 2767 rpm                 |
| Rated flow:                              | 5.8 m <sup>3</sup> /h    |
| Rated head:                              | 42.2 m                   |
| Maximum head:                            | 58.3 m                   |
| Stages:                                  | 9                        |
| Impellers:                               | 9                        |
| Number of reduced-diameter impellers:    | 0                        |
| Low NPSH:                                | N                        |
| Pump orientation:                        | Vertical                 |
| Shaft seal arrangement:                  | Single                   |
| Code for shaft seal:                     | HQQV                     |
| Approvals:                               | CE,EAC,UKCA              |
| Approvals for drinking water:            | WRAS                     |
| Curve tolerance:                         | ISO9906:2012 3B          |
| Pump version:                            | A                        |
| Model:                                   | A                        |
| <b>Materials:</b>                        |                          |
| Base:                                    | Stainless steel          |
| Base:                                    | EN 1.4408                |
| Base:                                    | AISI 316                 |
| Impeller:                                | Stainless steel          |
| Impeller:                                | EN 1.4301                |
| Impeller:                                | AISI 304                 |
| Material code:                           | A                        |
| Code for rubber:                         | V                        |
| Bearing:                                 | SIC                      |
| <b>Installation:</b>                     |                          |
| Maximum ambient temperature:             | 40 °C                    |
| Maximum operating pressure:              | 25 bar                   |
| Max pressure at stated temp:             | 25 bar / 90 °C           |
| Max pressure at stated temp:             | 25 bar / -20 °C          |
| Type of connection:                      | FlexiClamp               |
| Size of inlet connection:                | DN 32                    |
| Size of outlet connection:               | DN 32                    |
| Pressure rating for connection:          | PN 25                    |
| Flange size for motor:                   | FT115                    |
| Connect code:                            | CA                       |
| <b>Liquid:</b>                           |                          |
| Pumped liquid:                           | Water                    |
| Liquid temperature range:                | -20 .. 90 °C             |
| Selected liquid temperature:             | 20 °C                    |
| Density:                                 | 998.2 kg/m <sup>3</sup>  |
| <b>Electrical data:</b>                  |                          |
| Motor standard:                          | IEC                      |
| Motor type:                              | 90LB                     |
| Rated power - P2:                        | 1.5 kW                   |
| Power (P2) required by pump:             | 1.5 kW                   |
| Mains frequency:                         | 50 Hz                    |
| Rated voltage:                           | 1 x 220-230/240 V        |
| Rated current:                           | 9.90/8.90 A              |
| Starting current:                        | 390 %                    |





Company name:

Created by:

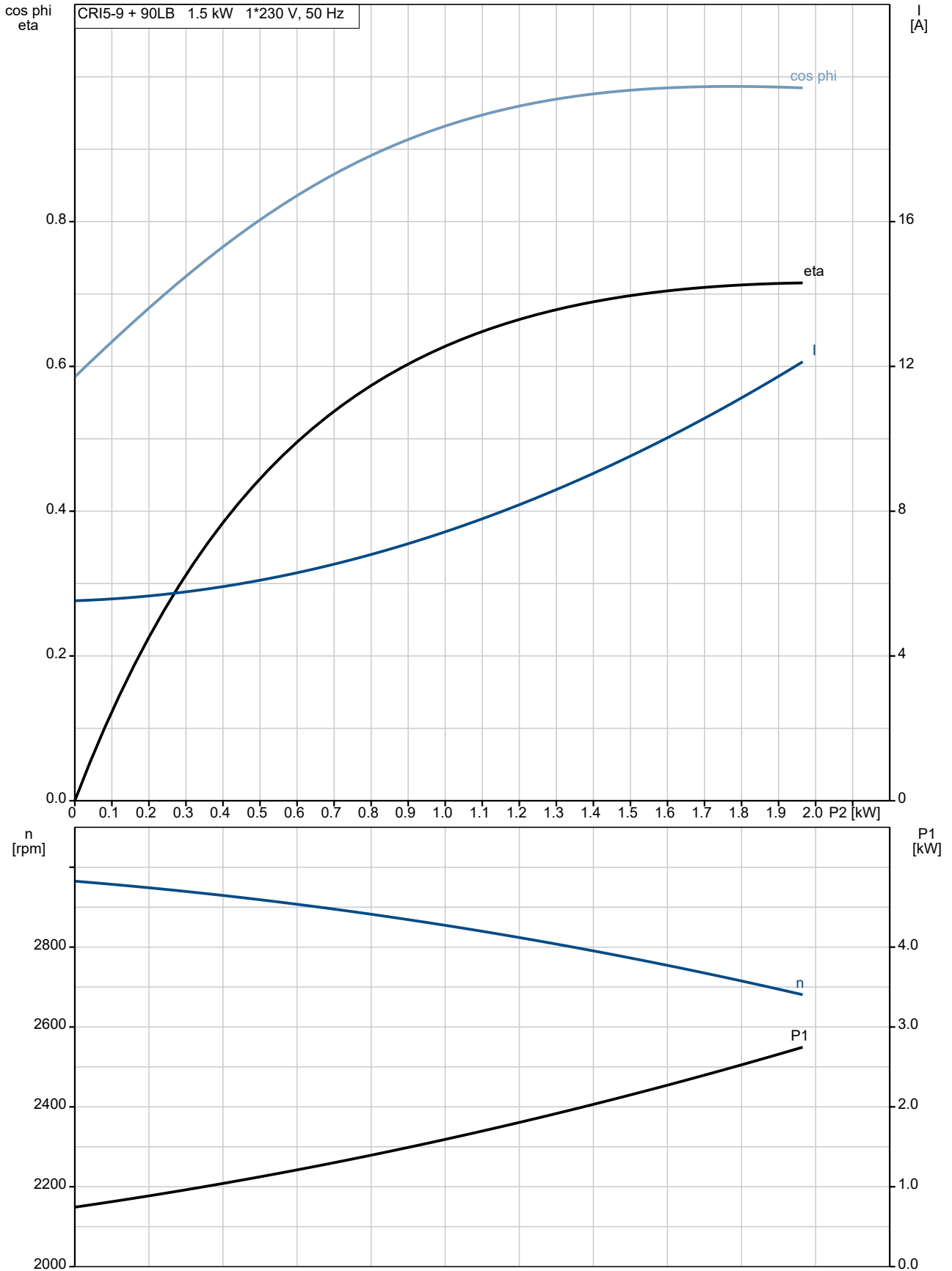
Phone:

Date:

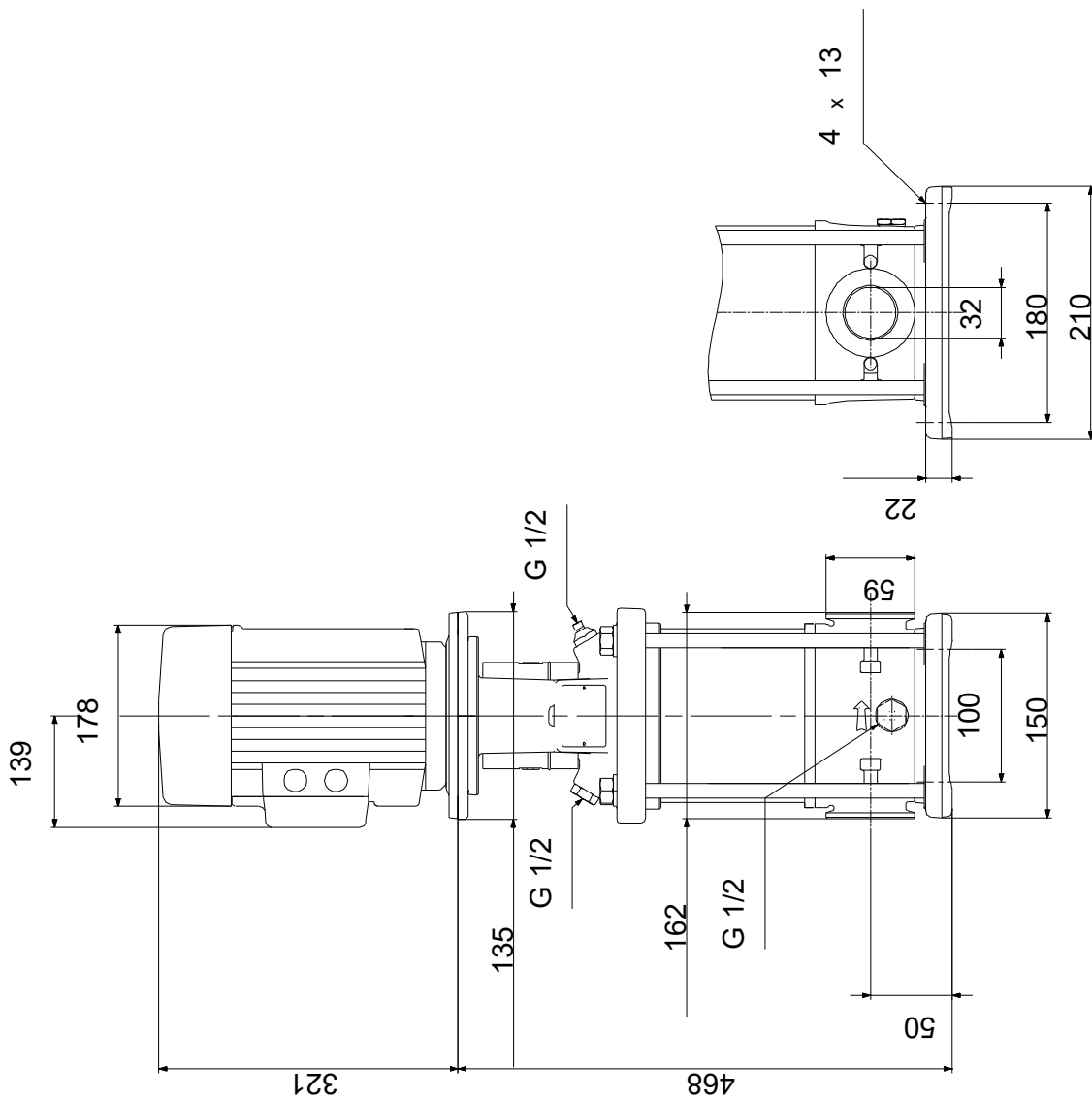
15/07/2021

| Description                      | Value                |
|----------------------------------|----------------------|
| Cos phi - power factor:          | 0.98/0.99            |
| Rated speed:                     | 2750/2740 rpm        |
| Motor efficiency at full load:   | 72-70 %              |
| Number of poles:                 | 2                    |
| Enclosure class (IEC 34-5):      | 55 Dust/Jetting      |
| Insulation class (IEC 85):       | F                    |
| Motor protec:                    | PTO                  |
| Motor No:                        | 85215706             |
| <b>Controls:</b>                 |                      |
| Frequency converter:             | NONE                 |
| <b>Others:</b>                   |                      |
| Minimum efficiency index, MEI ≥: | 0.57                 |
| Net weight:                      | 34.1 kg              |
| Gross weight:                    | 38.2 kg              |
| Shipping volume:                 | 0.092 m <sup>3</sup> |
| Sales region:                    | GB                   |

## 96533284 CRI 5-9 A-CA-A-V-HQQV 50 Hz

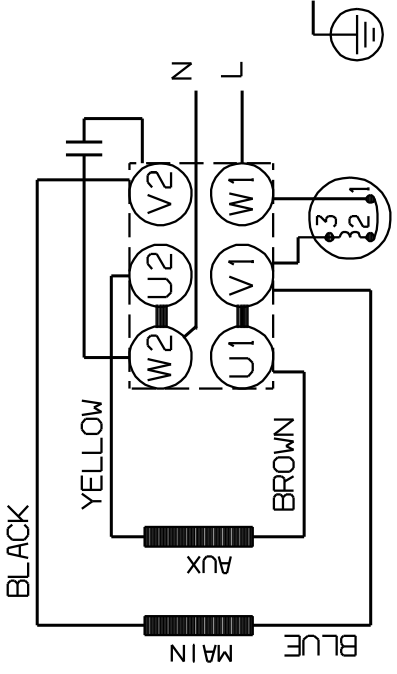
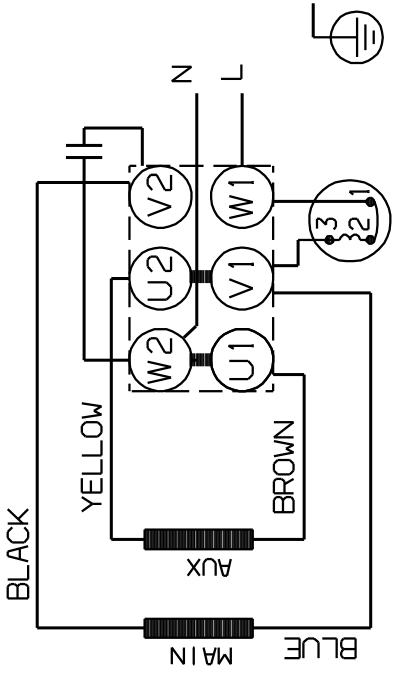
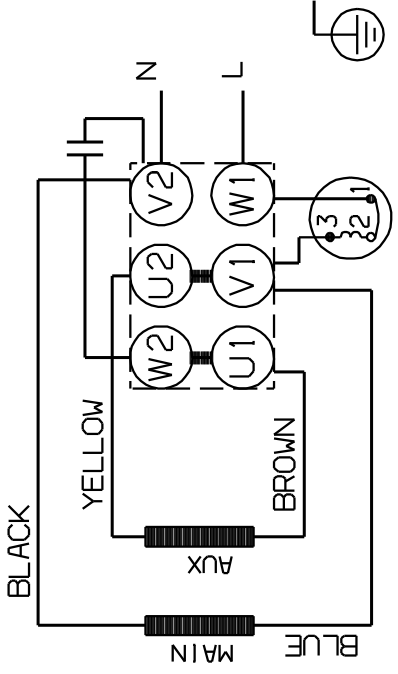
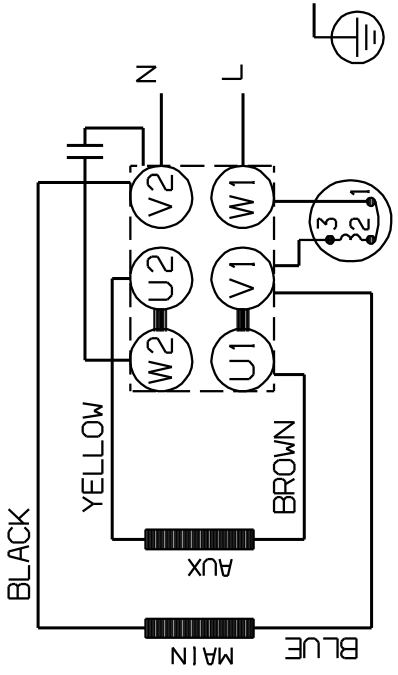


**96533284 CRI 5-9 A-CA-A-V-HQQV 50 Hz**



Note! All units are in [mm] unless others are stated.  
Disclaimer: This simplified dimensional drawing does not show all details.

## 96533284 CRI 5-9 A-CA-A-V-HQQV 50 Hz

|                       |  |
|-----------------------|--|
| DIRECTION OF ROTATION |    |
| DIRECTION OF ROTATION |   |
|                       |   |
|                       |  |

Note! All units are in [mm] unless others are stated.