
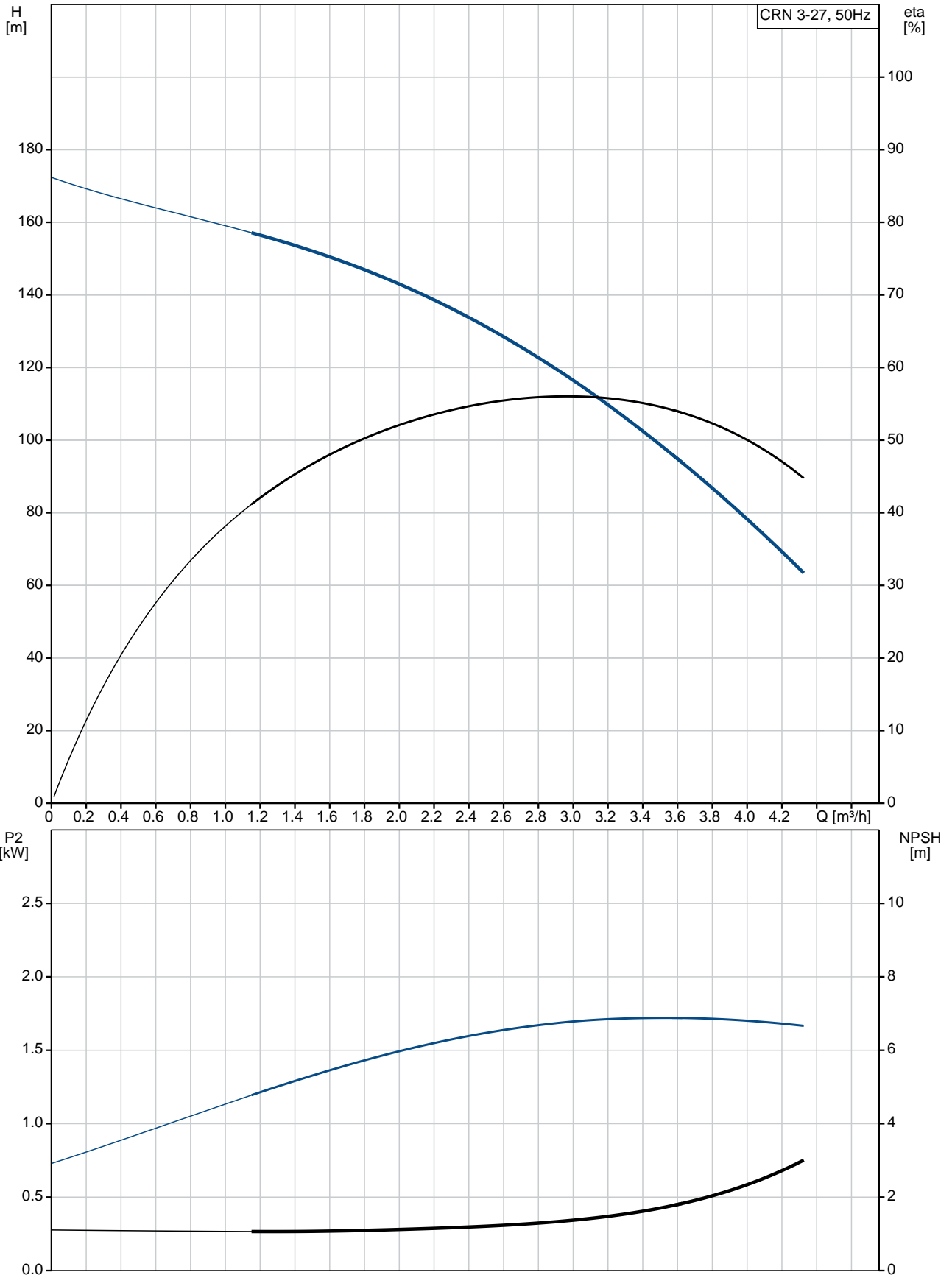


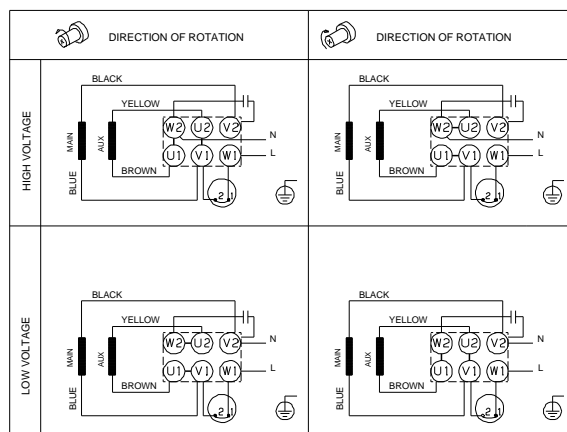
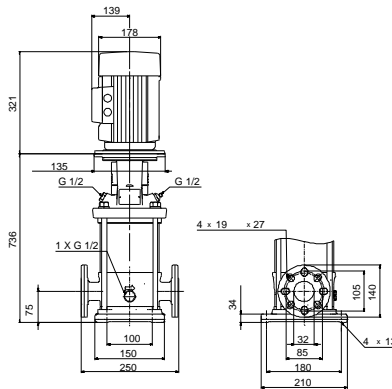
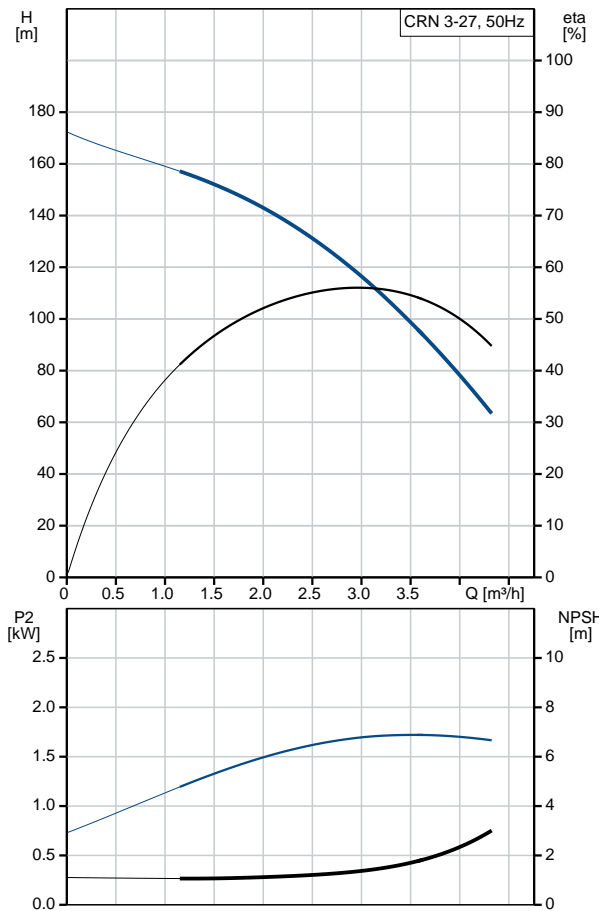
Qty.	Description
1	<p data-bbox="199 338 528 367">CRN 3-27 A-FGJ-H-E-HQQE</p>  <p data-bbox="199 660 469 687">Product No.: 96533248</p> <p data-bbox="199 719 1402 822">Vertical, multistage centrifugal pump with inlet and outlet ports on same the level (inline). Pump materials in contact with the liquid are in high-grade stainless steel. A cartridge shaft seal ensures high reliability, safe handling, and easy access and service. Power transmission is via a rigid split coupling. Pipe connection is via combined DIN-ANSI-JIS flanges.</p> <p data-bbox="199 862 935 889">The pump is fitted with a 1-phase, fan-cooled asynchronous motor.</p> <p data-bbox="199 920 316 947">Controls:</p> <p data-bbox="199 952 638 978">Frequency converter: NONE</p> <p data-bbox="199 1010 288 1037">Liquid:</p> <p data-bbox="199 1041 707 1160">Pumped liquid: Water Liquid temperature range: -20 .. 120 °C Liquid temperature during operation: 20 °C Density: 998.2 kg/m³</p> <p data-bbox="199 1191 327 1218">Technical:</p> <p data-bbox="199 1223 820 1456">Pump speed on which pump data are based: 2730 rpm Rated flow: 3 m³/h Rated head: 117.5 m Pump orientation: Vertical Shaft seal arrangement: Single Code for shaft seal: HQQE Approvals on nameplate: CE, EAC, ACS Curve tolerance: ISO9906:2012 3B</p> <p data-bbox="199 1487 320 1514">Materials:</p> <p data-bbox="199 1518 727 1722">Base: Stainless steel EN 1.4408 AISI 316 Impeller: Stainless steel EN 1.4401 AISI 316 Bearing: SIC</p> <p data-bbox="199 1753 344 1780">Installation:</p> <p data-bbox="199 1785 743 2107">Maximum ambient temperature: 40 °C Maximum operating pressure: 25 bar Max pressure at stated temp: 25 bar / 120 °C 25 bar / -20 °C Type of connection: DIN / ANSI / JIS Size of inlet connection: DN 25/32 1 1/4 inch Size of outlet connection: DN 25/32 1 1/4 inch Pressure rating for pipe connection: PN 25 Flange rating inlet: 300 lb</p>

Qty.	Description
	Flange size for motor: FT115
	Electrical data:
	Motor standard: IEC
	Motor type: 90LC
	Rated power - P2: 2.2 kW
	Power (P2) required by pump: 2.2 kW
	Mains frequency: 50 Hz
	Rated voltage: 1 x 220-230/240 V
	Rated current: 14,0-13,6/12,6 A
	Starting current: 330 %
	Cos phi - power factor: 1.00
	Rated speed: 2730/2720 rpm
	Motor efficiency at full load: 75 %
	Number of poles: 2
	Enclosure class (IEC 34-5): 55 Dust/Jetting
	Insulation class (IEC 85): F
	Others:
	Minimum efficiency index, MEI $\hat{\alpha}\%$: 0.70
	Net weight: 46.6 kg
	Gross weight: 49.5 kg
	Shipping volume: 0.13 m ³
	Country of origin: GB
	Custom tariff no.: 84137075

96533248 CRN 3-27 A-FGJ-H-E-HQQE 50 Hz



Description	Value
General information:	
Product name:	CRN 3-27 A-FGJ-H-E-HQQE
Product No:	96533248
EAN number:	5700397438244
Price:	2.173,00 GBP
Technical:	
Pump speed on which pump data are based:	2730 rpm
Rated flow:	3 m ³ /h
Rated head:	117.5 m
Head max:	172.5 m
Stages:	27
Impellers:	27
Number of reduced-diameter impellers:	0
Low NPSH:	N
Pump orientation:	Vertical
Shaft seal arrangement:	Single
Code for shaft seal:	HQQE
Approvals on nameplate:	CE, EAC, ACS
Curve tolerance:	ISO9906:2012 3B
Pump version:	A
Model:	A
Materials:	
Base:	Stainless steel EN 1.4408 AISI 316
Impeller:	Stainless steel EN 1.4401 AISI 316
Material code:	H
Code for rubber:	E
Bearing:	SIC
Installation:	
Maximum ambient temperature:	40 °C
Maximum operating pressure:	25 bar
Max pressure at stated temp:	25 bar / 120 °C 25 bar / -20 °C
Type of connection:	DIN / ANSI / JIS
Size of inlet connection:	DN 25/32 1 1/4 inch
Size of outlet connection:	DN 25/32 1 1/4 inch
Pressure rating for pipe connection:	PN 25
Flange rating inlet:	300 lb
Flange size for motor:	FT115
Connect code:	FGJ
Liquid:	
Pumped liquid:	Water
Liquid temperature range:	-20 .. 120 °C
Liquid temperature during operation:	20 °C
Density:	998.2 kg/m ³
Electrical data:	
Motor standard:	IEC
Motor type:	90LC
Rated power - P2:	2.2 kW
Power (P2) required by pump:	2.2 kW
Mains frequency:	50 Hz
Rated voltage:	1 x 220-230/240 V





Company name:

Created by:

Phone:

Date:

07/03/2019

Description	Value
Rated current:	14,0-13,6/12,6 A
Starting current:	330 %
Cos phi - power factor:	1.00
Rated speed:	2730/2720 rpm
Motor efficiency at full load:	75 %
Number of poles:	2
Enclosure class (IEC 34-5):	55 Dust/Jetting
Insulation class (IEC 85):	F
Motor protec:	PTO
Motor No:	85215708
Controls:	
Frequency converter:	NONE
Others:	
Minimum efficiency index, MEI η %:	0.70
Net weight:	46.6 kg
Gross weight:	49.5 kg
Shipping volume:	0.13 m ³
Sales region:	Great Britain
Country of origin:	GB
Custom tariff no.:	84137075