
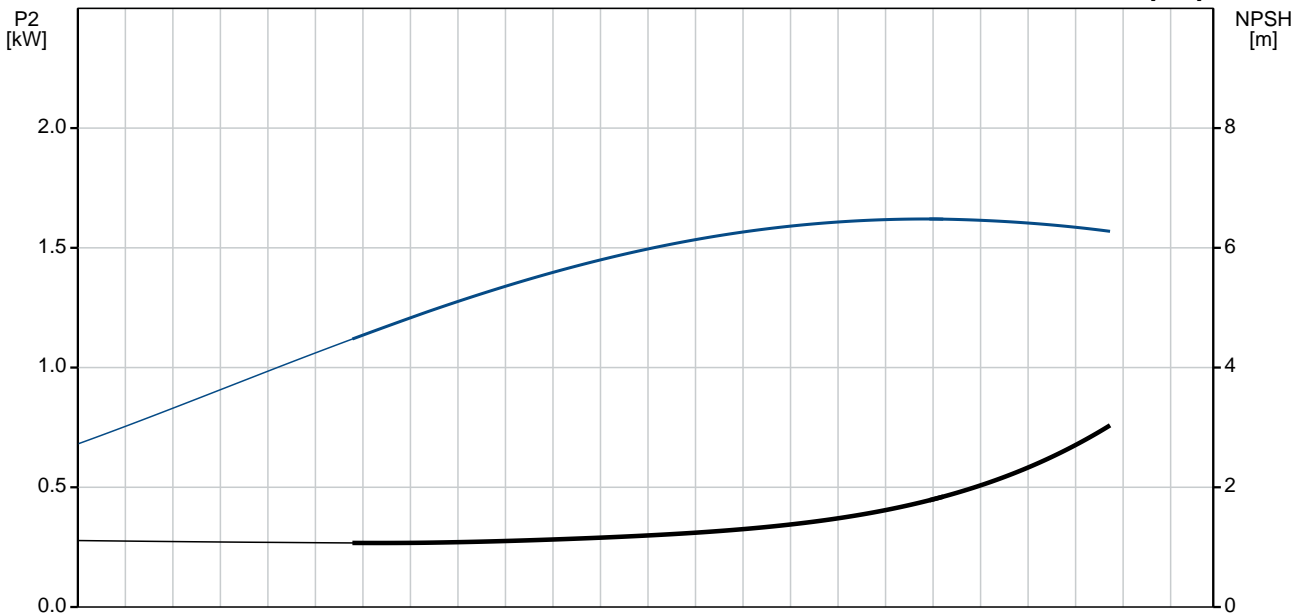
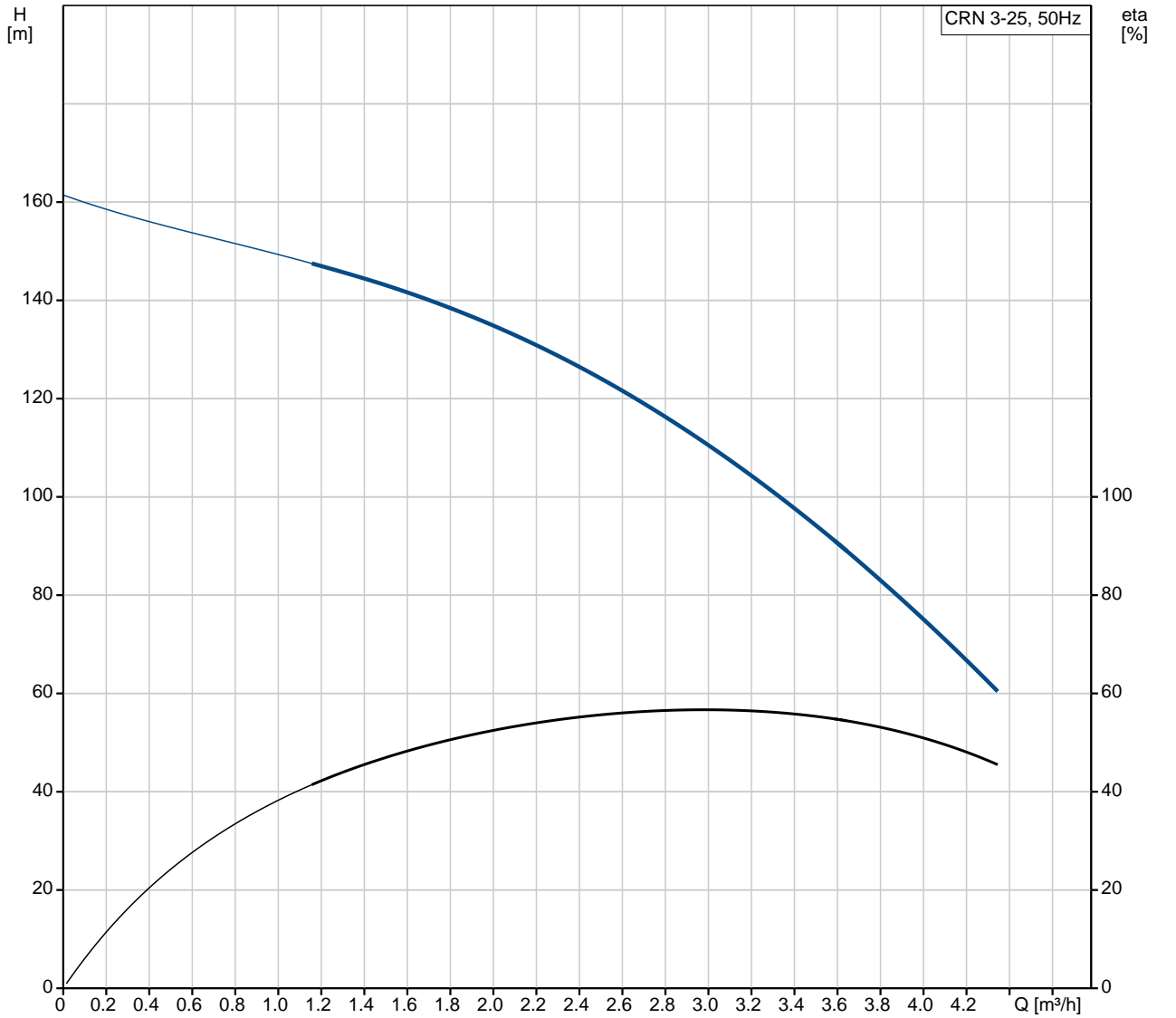


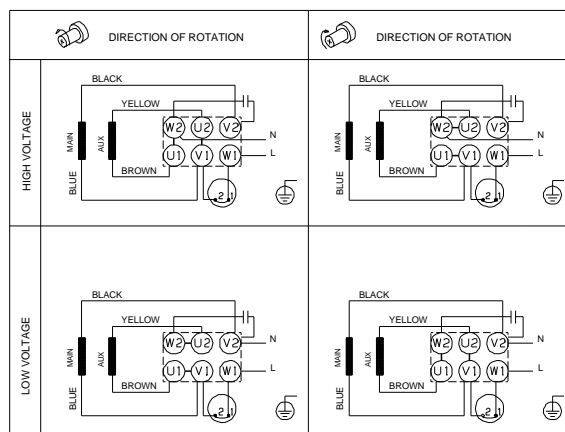
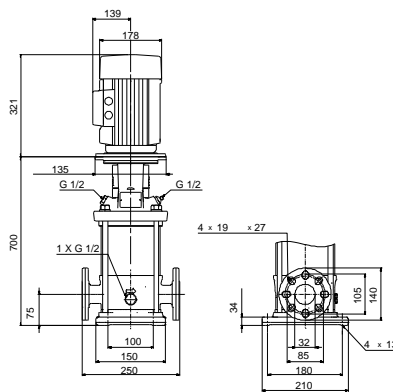
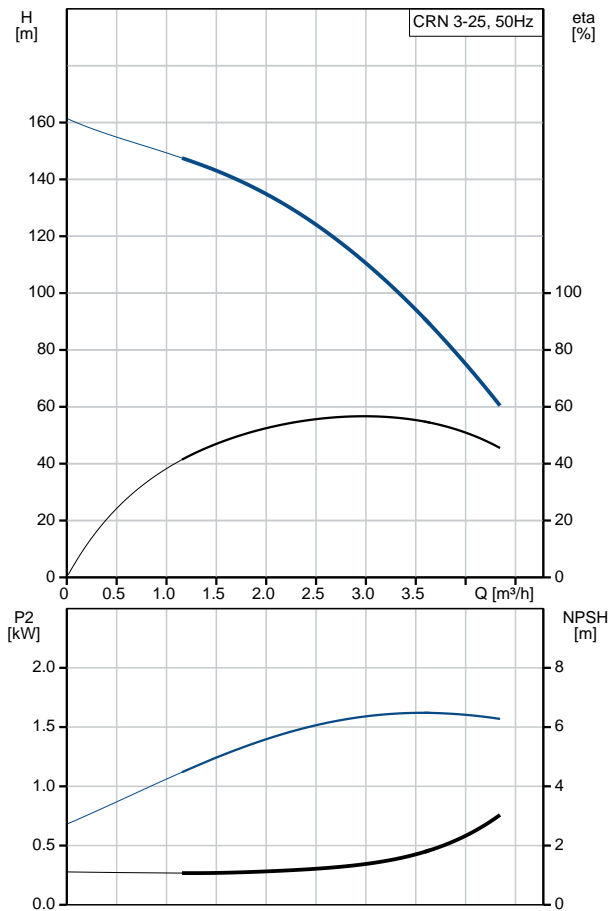
| Qty. | Description   |
|------|---|
| 1    | <p data-bbox="199 342 526 365"><b>CRN 3-25 A-FGJ-H-E-HQQE</b></p>  <p data-bbox="199 663 467 685">Product No.: <a href="#">96533247</a></p> <p data-bbox="199 719 1401 819">Vertical, multistage centrifugal pump with inlet and outlet ports on same the level (inline). Pump materials in contact with the liquid are in high-grade stainless steel. A cartridge shaft seal ensures high reliability, safe handling, and easy access and service. Power transmission is via a rigid split coupling. Pipe connection is via combined DIN-ANSI-JIS flanges.</p> <p data-bbox="199 864 935 887">The pump is fitted with a 1-phase, fan-cooled asynchronous motor.</p> <p data-bbox="199 925 316 947"><b>Controls:</b></p> <p data-bbox="199 954 638 976">Frequency converter: NONE</p> <p data-bbox="199 1014 288 1037"><b>Liquid:</b></p> <p data-bbox="199 1043 707 1160">Pumped liquid: Water<br/>Liquid temperature range: -20 .. 120 °C<br/>Liquid temperature during operation: 20 °C<br/>Density: 998.2 kg/m<sup>3</sup></p> <p data-bbox="199 1193 327 1216"><b>Technical:</b></p> <p data-bbox="199 1223 821 1458">Pump speed on which pump data are based: 2730 rpm<br/>Rated flow: 3 m<sup>3</sup>/h<br/>Rated head: 110.2 m<br/>Pump orientation: Vertical<br/>Shaft seal arrangement: Single<br/>Code for shaft seal: HQQE<br/>Approvals on nameplate: CE, EAC, ACS<br/>Curve tolerance: ISO9906:2012 3B</p> <p data-bbox="199 1491 320 1514"><b>Materials:</b></p> <p data-bbox="199 1520 727 1722">Base: Stainless steel<br/>EN 1.4408<br/>AISI 316<br/>Impeller: Stainless steel<br/>EN 1.4401<br/>AISI 316<br/>Bearing: SIC</p> <p data-bbox="199 1760 343 1783"><b>Installation:</b></p> <p data-bbox="199 1789 743 2101">Maximum ambient temperature: 40 °C<br/>Maximum operating pressure: 25 bar<br/>Max pressure at stated temp: 25 bar / 120 °C<br/>25 bar / -20 °C<br/>Type of connection: DIN / ANSI / JIS<br/>Size of inlet connection: DN 25/32<br/>1 1/4 inch<br/>Size of outlet connection: DN 25/32<br/>1 1/4 inch<br/>Pressure rating for pipe connection: PN 25<br/>Flange rating inlet: 300 lb</p> |

| Qty. | Description  |
|------|--|
|      | <p>Flange size for motor: FT115</p> <p><b>Electrical data:</b></p> <p>Motor standard: IEC</p> <p>Motor type: 90LC</p> <p>Rated power - P2: 2.2 kW</p> <p>Power (P2) required by pump: 2.2 kW</p> <p>Mains frequency: 50 Hz</p> <p>Rated voltage: 1 x 220-230/240 V</p> <p>Rated current: 14,0-13,6/12,6 A</p> <p>Starting current: 330 %</p> <p>Cos phi - power factor: 1.00</p> <p>Rated speed: 2730/2720 rpm</p> <p>Motor efficiency at full load: 75 %</p> <p>Number of poles: 2</p> <p>Enclosure class (IEC 34-5): 55 Dust/Jetting</p> <p>Insulation class (IEC 85): F</p> <p><b>Others:</b></p> <p>Minimum efficiency index, MEI <math>\eta_{min}</math>: 0.70</p> <p>Net weight: 45.8 kg</p> <p>Gross weight: 48.7 kg</p> <p>Shipping volume: 0.13 m<sup>3</sup></p> <p>Country of origin: GB</p> <p>Custom tariff no.: 84137075</p> |

## 96533247 CRN 3-25 A-FGJ-H-E-HQQE 50 Hz



| Description                              | Value                                    |
|--|--|
| <b>General information:</b>              |  |
| Product name:                            | CRN 3-25<br>A-FGJ-H-E-HQQE               |
| Product No:                              | 96533247                                 |
| EAN number:                              | 5700397438237                            |
| Price:                                   | 2.098,00 GBP                             |
| <b>Technical:</b>                        |  |
| Pump speed on which pump data are based: | 2730 rpm                                 |
| Rated flow:                              | 3 m <sup>3</sup> /h                      |
| Rated head:                              | 110.2 m                                  |
| Head max:                                | 160.4 m                                  |
| Stages:                                  | 25                                       |
| Impellers:                               | 25                                       |
| Number of reduced-diameter impellers:    | 0  |
| Low NPSH:                                | N  |
| Pump orientation:                        | Vertical                                 |
| Shaft seal arrangement:                  | Single                                   |
| Code for shaft seal:                     | HQQE                                     |
| Approvals on nameplate:                  | CE, EAC, ACS                             |
| Curve tolerance:                         | ISO9906:2012 3B                          |
| Pump version:                            | A  |
| Model:                                   | A  |
| <b>Materials:</b>                        |  |
| Base:                                    | Stainless steel<br>EN 1.4408<br>AISI 316 |
| Impeller:                                | Stainless steel<br>EN 1.4401<br>AISI 316 |
| Material code:                           | H  |
| Code for rubber:                         | E  |
| Bearing:                                 | SIC                                      |
| <b>Installation:</b>                     |  |
| Maximum ambient temperature:             | 40 °C                                    |
| Maximum operating pressure:              | 25 bar                                   |
| Max pressure at stated temp:             | 25 bar / 120 °C<br>25 bar / -20 °C       |
| Type of connection:                      | DIN / ANSI / JIS                         |
| Size of inlet connection:                | DN 25/32<br>1 1/4 inch                   |
| Size of outlet connection:               | DN 25/32<br>1 1/4 inch                   |
| Pressure rating for pipe connection:     | PN 25                                    |
| Flange rating inlet:                     | 300 lb                                   |
| Flange size for motor:                   | FT115                                    |
| Connect code:                            | FGJ                                      |
| <b>Liquid:</b>                           |  |
| Pumped liquid:                           | Water                                    |
| Liquid temperature range:                | -20 .. 120 °C                            |
| Liquid temperature during operation:     | 20 °C                                    |
| Density:                                 | 998.2 kg/m <sup>3</sup>                  |
| <b>Electrical data:</b>                  |  |
| Motor standard:                          | IEC                                      |
| Motor type:                              | 90LC                                     |
| Rated power - P2:                        | 2.2 kW                                   |
| Power (P2) required by pump:             | 2.2 kW                                   |
| Mains frequency:                         | 50 Hz                                    |
| Rated voltage:                           | 1 x 220-230/240 V                        |





Company name:

Created by:

Phone:

Date:

07/03/2019

| Description                      | Value               |
|----------------------------------|---------------------|
| Rated current:                   | 14,0-13,6/12,6 A    |
| Starting current:                | 330 %               |
| Cos phi - power factor:          | 1.00                |
| Rated speed:                     | 2730/2720 rpm       |
| Motor efficiency at full load:   | 75 %                |
| Number of poles:                 | 2                   |
| Enclosure class (IEC 34-5):      | 55 Dust/Jetting     |
| Insulation class (IEC 85):       | F                   |
| Motor protec:                    | PTO                 |
| Motor No:                        | 85215708            |
| <b>Controls:</b>                 |                     |
| Frequency converter:             | NONE                |
| <b>Others:</b>                   |                     |
| Minimum efficiency index, MEI %: | 0.70                |
| Net weight:                      | 45.8 kg             |
| Gross weight:                    | 48.7 kg             |
| Shipping volume:                 | 0.13 m <sup>3</sup> |
| Sales region:                    | Great Britain       |
| Country of origin:               | GB                  |
| Custom tariff no.:               | 84137075            |