
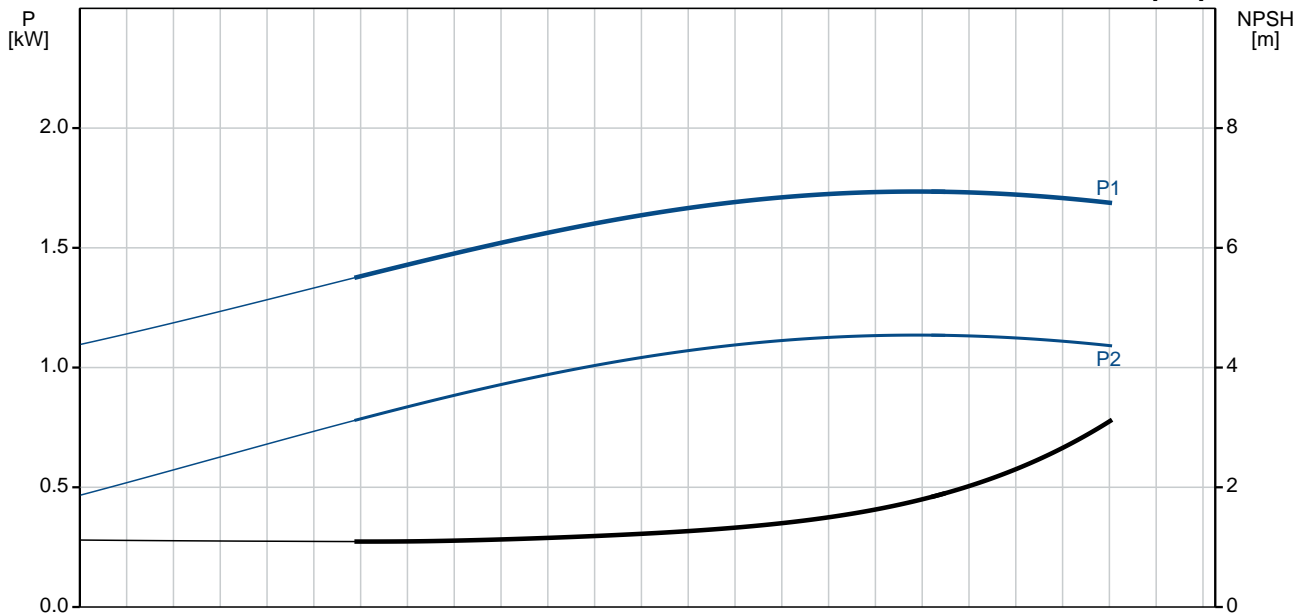
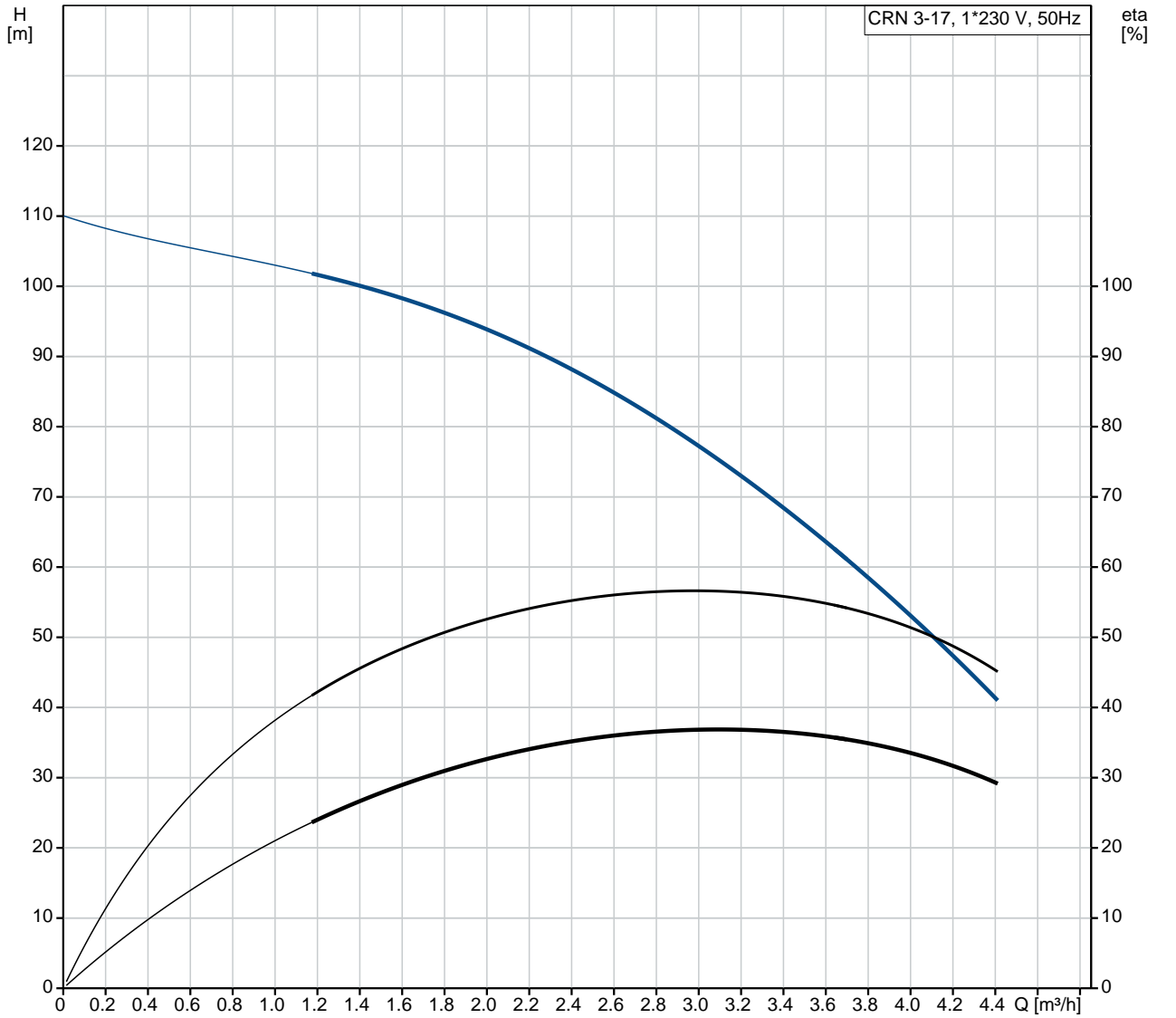


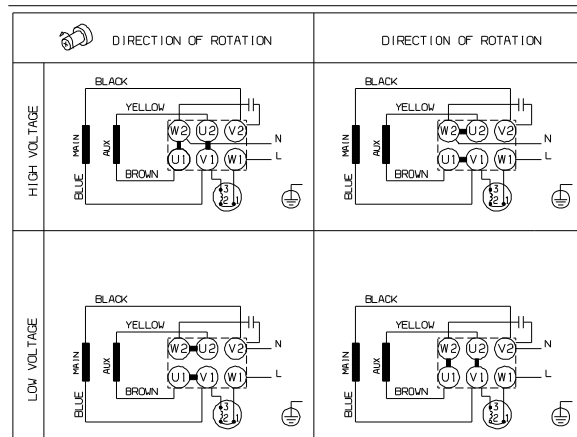
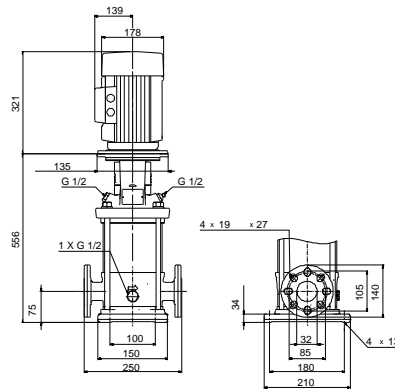
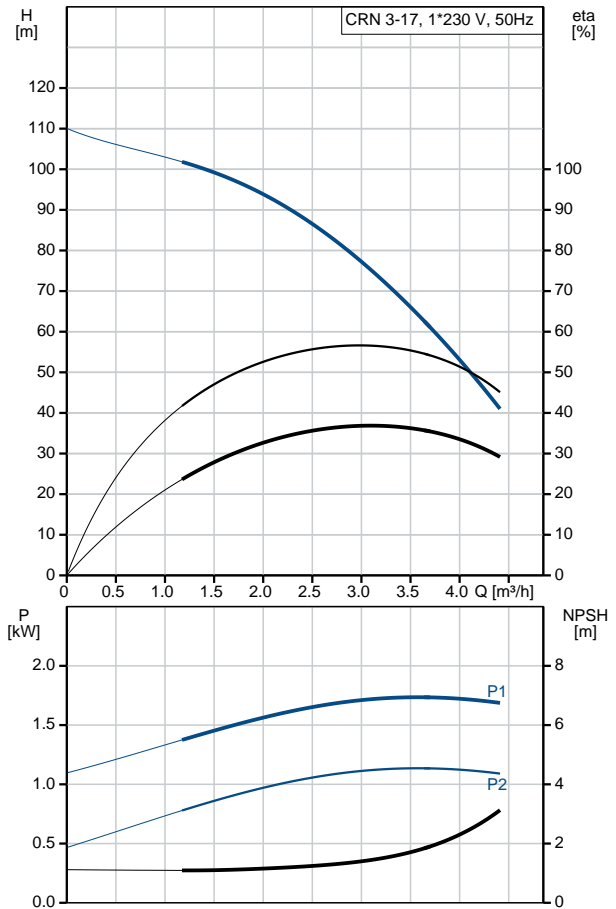
| Qty. | Description |
|------|--|
| 1 | <p data-bbox="199 336 526 369">CRN 3-17 A-FGJ-H-E-HQQE</p>  <p data-bbox="199 660 470 694">Product No.: 96533243</p> <p data-bbox="199 716 1404 817">Vertical, multistage centrifugal pump with inlet and outlet ports on same the level (inline). Pump materials in contact with the liquid are in high-grade stainless steel. A cartridge shaft seal ensures high reliability, safe handling, and easy access and service. Power transmission is via a rigid split coupling. Pipe connection is via combined DIN-ANSI-JIS flanges.</p> <p data-bbox="199 862 933 896">The pump is fitted with a 1-phase, fan-cooled asynchronous motor.</p> <p data-bbox="199 918 319 952">Controls:</p> <p data-bbox="199 952 638 985">Frequency converter: NONE</p> <p data-bbox="199 1008 295 1041">Liquid:</p> <p data-bbox="199 1041 638 1075">Pumped liquid: Water</p> <p data-bbox="199 1075 710 1108">Liquid temperature range: -20 .. 120 °C</p> <p data-bbox="199 1108 694 1142">Liquid temperature during operation: 20 °C</p> <p data-bbox="199 1142 702 1176">Density: 998.2 kg/m³</p> <p data-bbox="199 1198 327 1232">Technical:</p> <p data-bbox="199 1232 821 1265">Pump speed on which pump data are based: 2767 rpm</p> <p data-bbox="199 1265 638 1299">Rated flow: 3 m³/h</p> <p data-bbox="199 1299 646 1332">Rated head: 76.5 m</p> <p data-bbox="199 1332 646 1366">Pump orientation: Vertical</p> <p data-bbox="199 1366 638 1400">Shaft seal arrangement: Single</p> <p data-bbox="199 1400 638 1433">Code for shaft seal: HQQE</p> <p data-bbox="199 1433 726 1467">Approvals on nameplate: CE, EAC, ACS</p> <p data-bbox="199 1467 766 1500">Curve tolerance: ISO9906:2012 3B</p> <p data-bbox="199 1523 327 1556">Materials:</p> <p data-bbox="199 1556 726 1590">Base: Stainless steel</p> <p data-bbox="566 1590 686 1624">EN 1.4408</p> <p data-bbox="566 1624 662 1657">AISI 316</p> <p data-bbox="199 1657 726 1691">Impeller: Stainless steel</p> <p data-bbox="566 1691 686 1724">EN 1.4401</p> <p data-bbox="566 1724 662 1758">AISI 316</p> <p data-bbox="199 1758 614 1792">Bearing: SIC</p> <p data-bbox="199 1814 343 1848">Installation:</p> <p data-bbox="199 1848 630 1881">Maximum ambient temperature: 40 °C</p> <p data-bbox="199 1881 638 1915">Maximum operating pressure: 25 bar</p> <p data-bbox="199 1915 742 1948">Max pressure at stated temp: 25 bar / 120 °C</p> <p data-bbox="566 1948 734 1982">25 bar / -20 °C</p> <p data-bbox="199 1982 742 2016">Type of connection: DIN / ANSI / JIS</p> <p data-bbox="199 2016 678 2049">Size of inlet connection: DN 25/32</p> <p data-bbox="566 2049 678 2083">1 1/4 inch</p> <p data-bbox="199 2083 678 2116">Size of outlet connection: DN 25/32</p> <p data-bbox="566 2116 678 2150">1 1/4 inch</p> <p data-bbox="199 2150 686 2184">Pressure rating for pipe connection: PN 25</p> <p data-bbox="199 2184 638 2217">Flange rating inlet: 300 lb</p> |

| Qty. | Description |
|------|---|
| | Flange size for motor: FT115 |
| | Electrical data: |
| | Motor standard: IEC |
| | Motor type: 90LB |
| | Rated power - P2: 1.5 kW |
| | Power (P2) required by pump: 1.5 kW |
| | Mains frequency: 50 Hz |
| | Rated voltage: 1 x 220-230/240 V |
| | Rated current: 9.90/8.90 A |
| | Starting current: 390 % |
| | Cos phi - power factor: 0.98/0.99 |
| | Rated speed: 2750/2740 rpm |
| | Motor efficiency at full load: 72-70 % |
| | Number of poles: 2 |
| | Enclosure class (IEC 34-5): 55 Dust/Jetting |
| | Insulation class (IEC 85): F |
| | Others: |
| | Minimum efficiency index, MEI η_{min} : 0.70 |
| | Net weight: 38.1 kg |
| | Gross weight: 41 kg |
| | Shipping volume: 0.13 m ³ |
| | Country of origin: GB |
| | Custom tariff no.: 84137075 |

96533243 CRN 3-17 A-FGJ-H-E-HQQE 50 Hz



| Description | Value |
|--|--|
| General information: | |
| Product name: | CRN 3-17 A-FGJ-H-E-HQQE |
| Product No: | 96533243 |
| EAN number: | 5700397438190 |
| Price: | 1.794,00 GBP |
| Technical: | |
| Pump speed on which pump data are based: | 2767 rpm |
| Rated flow: | 3 m ³ /h |
| Rated head: | 76.5 m |
| Head max: | 109.7 m |
| Stages: | 17 |
| Impellers: | 17 |
| Number of reduced-diameter impellers: | 0 |
| Low NPSH: | N |
| Pump orientation: | Vertical |
| Shaft seal arrangement: | Single |
| Code for shaft seal: | HQQE |
| Approvals on nameplate: | CE, EAC, ACS |
| Curve tolerance: | ISO9906:2012 3B |
| Pump version: | A |
| Model: | A |
| Materials: | |
| Base: | Stainless steel EN 1.4408 AISI 316 |
| Impeller: | Stainless steel EN 1.4401 AISI 316 |
| Material code: | H |
| Code for rubber: | E |
| Bearing: | SIC |
| Installation: | |
| Maximum ambient temperature: | 40 °C |
| Maximum operating pressure: | 25 bar |
| Max pressure at stated temp: | 25 bar / 120 °C 25 bar / -20 °C |
| Type of connection: | DIN / ANSI / JIS |
| Size of inlet connection: | DN 25/32 1 1/4 inch |
| Size of outlet connection: | DN 25/32 1 1/4 inch |
| Pressure rating for pipe connection: | PN 25 |
| Flange rating inlet: | 300 lb |
| Flange size for motor: | FT115 |
| Connect code: | FGJ |
| Liquid: | |
| Pumped liquid: | Water |
| Liquid temperature range: | -20 .. 120 °C |
| Liquid temperature during operation: | 20 °C |
| Density: | 998.2 kg/m ³ |
| Electrical data: | |
| Motor standard: | IEC |
| Motor type: | 90LB |
| Rated power - P2: | 1.5 kW |
| Power (P2) required by pump: | 1.5 kW |
| Mains frequency: | 50 Hz |
| Rated voltage: | 1 x 220-230/240 V |





Company name:

Created by:

Phone:

Date:

07/03/2019

| Description | Value |
|----------------------------------|---------------------|
| Rated current: | 9.90/8.90 A |
| Starting current: | 390 % |
| Cos phi - power factor: | 0.98/0.99 |
| Rated speed: | 2750/2740 rpm |
| Motor efficiency at full load: | 72-70 % |
| Number of poles: | 2 |
| Enclosure class (IEC 34-5): | 55 Dust/Jetting |
| Insulation class (IEC 85): | F |
| Motor protec: | PTO |
| Motor No: | 85215706 |
| Controls: | |
| Frequency converter: | NONE |
| Others: | |
| Minimum efficiency index, MEI %: | 0.70 |
| Net weight: | 38.1 kg |
| Gross weight: | 41 kg |
| Shipping volume: | 0.13 m ³ |
| Sales region: | Great Britain |
| Country of origin: | GB |
| Custom tariff no.: | 84137075 |

96533243 CRN 3-17 A-FGJ-H-E-HQQE 50 Hz

