
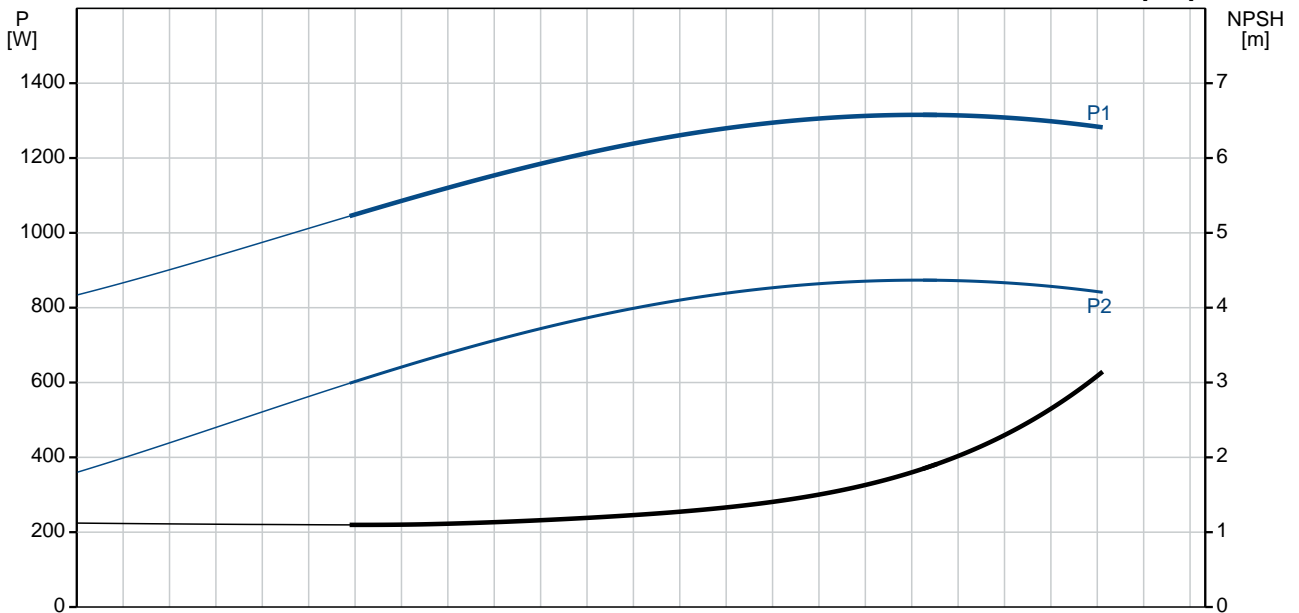
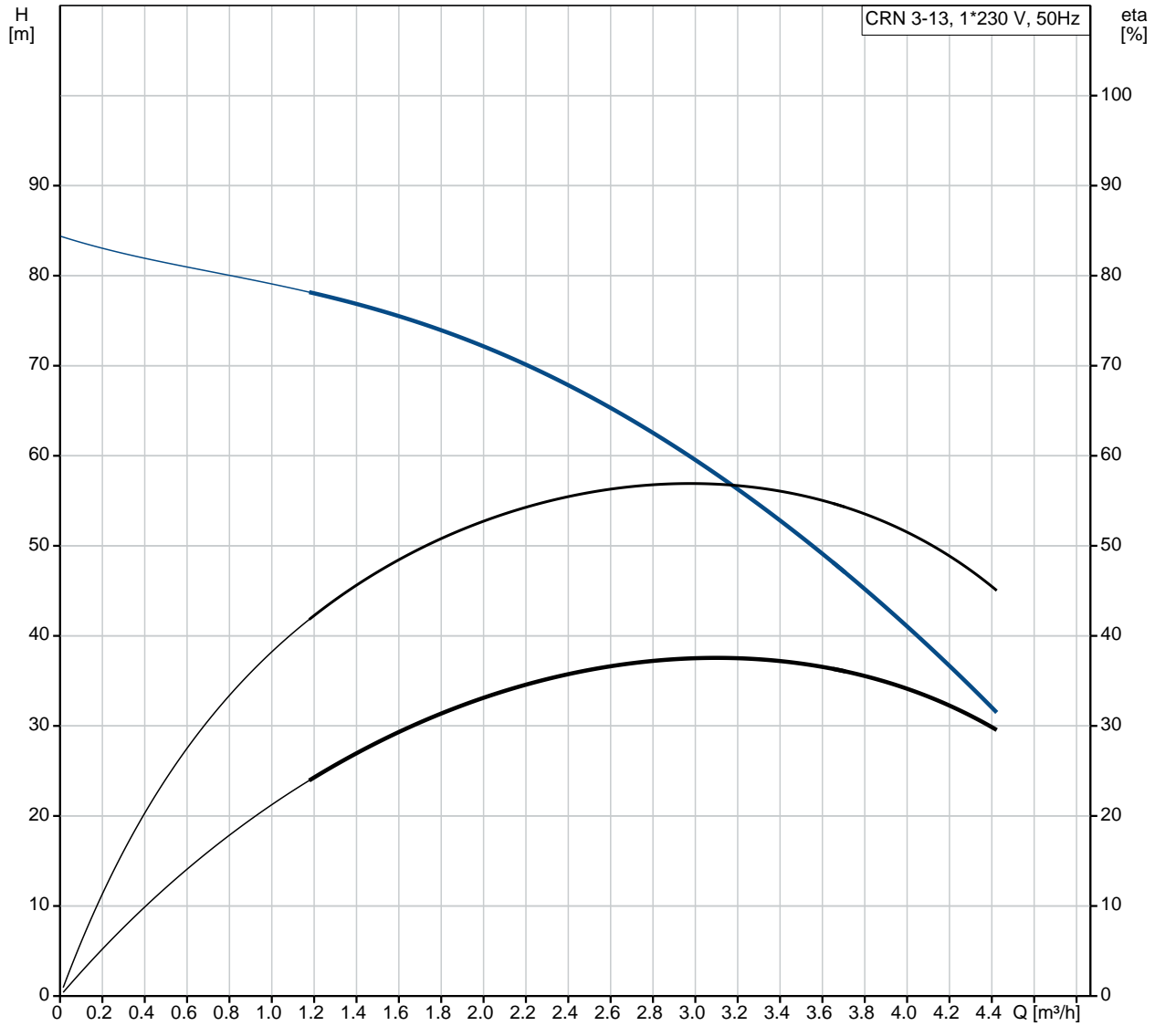


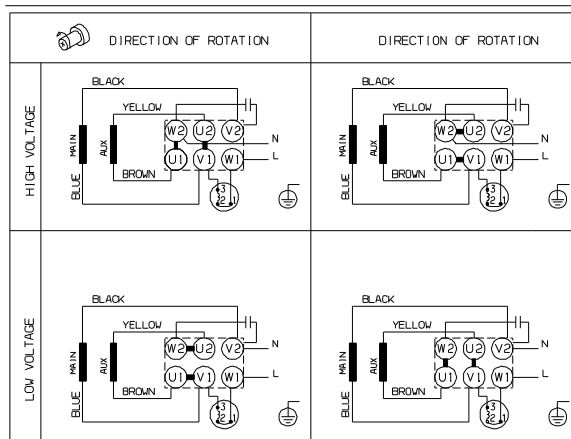
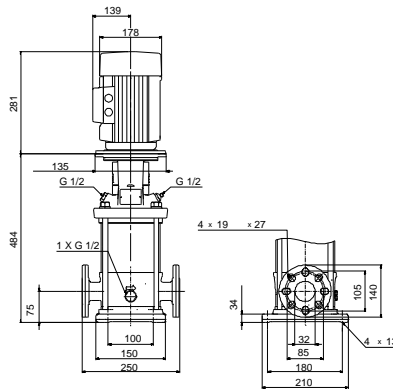
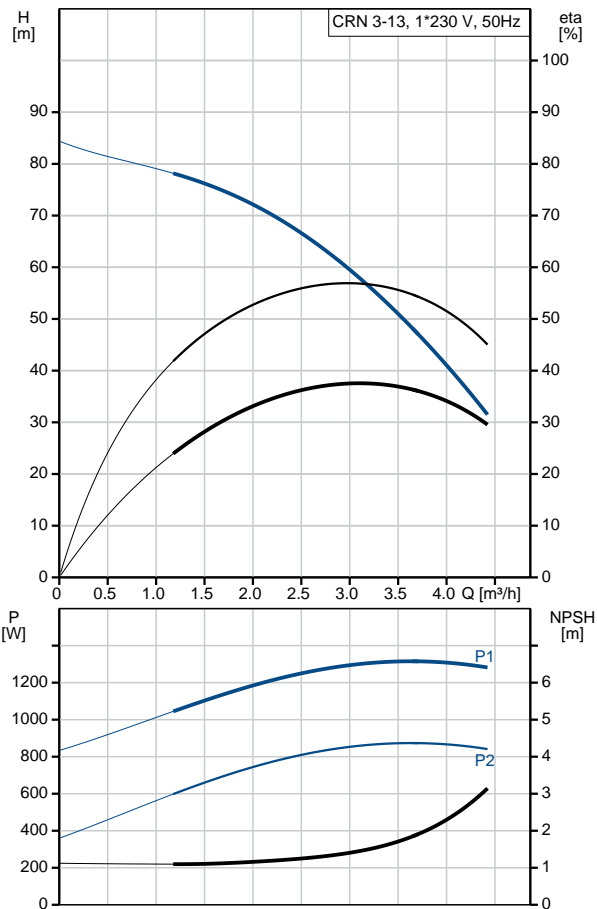
Qty.	Description
1	<p data-bbox="199 336 526 369"><b>CRN 3-13 A-FGJ-H-E-HQQE</b></p>  <p data-bbox="199 660 470 694">Product No.: <a href="#">96533241</a></p> <p data-bbox="199 716 1404 817">Vertical, multistage centrifugal pump with inlet and outlet ports on same the level (inline). Pump materials in contact with the liquid are in high-grade stainless steel. A cartridge shaft seal ensures high reliability, safe handling, and easy access and service. Power transmission is via a rigid split coupling. Pipe connection is via combined DIN-ANSI-JIS flanges.</p> <p data-bbox="199 862 933 896">The pump is fitted with a 1-phase, fan-cooled asynchronous motor.</p> <p data-bbox="199 918 319 952"><b>Controls:</b></p> <p data-bbox="199 952 638 985">Frequency converter: NONE</p> <p data-bbox="199 1008 295 1041"><b>Liquid:</b></p> <p data-bbox="199 1041 638 1075">Pumped liquid: Water</p> <p data-bbox="199 1075 710 1108">Liquid temperature range: -20 .. 120 °C</p> <p data-bbox="199 1108 694 1142">Liquid temperature during operation: 20 °C</p> <p data-bbox="199 1142 702 1176">Density: 998.2 kg/m<sup>3</sup></p> <p data-bbox="199 1198 327 1232"><b>Technical:</b></p> <p data-bbox="199 1232 821 1265">Pump speed on which pump data are based: 2789 rpm</p> <p data-bbox="199 1265 638 1299">Rated flow: 3 m<sup>3</sup>/h</p> <p data-bbox="199 1299 646 1332">Rated head: 58.9 m</p> <p data-bbox="199 1332 646 1366">Pump orientation: Vertical</p> <p data-bbox="199 1366 638 1400">Shaft seal arrangement: Single</p> <p data-bbox="199 1400 638 1433">Code for shaft seal: HQQE</p> <p data-bbox="199 1433 726 1467">Approvals on nameplate: CE, EAC, ACS</p> <p data-bbox="199 1467 766 1500">Curve tolerance: ISO9906:2012 3B</p> <p data-bbox="199 1523 327 1556"><b>Materials:</b></p> <p data-bbox="199 1556 726 1590">Base: Stainless steel</p> <p data-bbox="566 1590 686 1624">EN 1.4408</p> <p data-bbox="566 1624 662 1657">AISI 316</p> <p data-bbox="199 1657 726 1691">Impeller: Stainless steel</p> <p data-bbox="566 1691 686 1724">EN 1.4401</p> <p data-bbox="566 1724 662 1758">AISI 316</p> <p data-bbox="199 1758 614 1792">Bearing: SIC</p> <p data-bbox="199 1814 343 1848"><b>Installation:</b></p> <p data-bbox="199 1848 630 1881">Maximum ambient temperature: 40 °C</p> <p data-bbox="199 1881 638 1915">Maximum operating pressure: 25 bar</p> <p data-bbox="199 1915 742 1948">Max pressure at stated temp: 25 bar / 120 °C</p> <p data-bbox="566 1948 734 1982">25 bar / -20 °C</p> <p data-bbox="199 1982 742 2016">Type of connection: DIN / ANSI / JIS</p> <p data-bbox="199 2016 678 2049">Size of inlet connection: DN 25/32</p> <p data-bbox="566 2049 678 2083">1 1/4 inch</p> <p data-bbox="199 2083 678 2116">Size of outlet connection: DN 25/32</p> <p data-bbox="566 2116 678 2150">1 1/4 inch</p> <p data-bbox="199 2150 686 2184">Pressure rating for pipe connection: PN 25</p> <p data-bbox="199 2184 638 2217">Flange rating inlet: 300 lb</p>

Qty.	Description
	<p data-bbox="199 338 639 365">Flange size for motor: FT115</p> <p data-bbox="199 398 379 425"><b>Electrical data:</b></p> <p data-bbox="199 427 608 454">Motor standard: IEC</p> <p data-bbox="199 456 628 483">Motor type: 90SB</p> <p data-bbox="199 486 644 512">Rated power - P2: 1.1 kW</p> <p data-bbox="199 515 644 542">Power (P2) required by pump: 1.1 kW</p> <p data-bbox="199 544 635 571">Mains frequency: 50 Hz</p> <p data-bbox="199 573 767 600">Rated voltage: 1 x 220-230/240 V</p> <p data-bbox="199 602 692 629">Rated current: 7.40/6.70 A</p> <p data-bbox="199 631 635 658">Starting current: 390 %</p> <p data-bbox="199 660 671 687">Cos phi - power factor: 0.98/0.99</p> <p data-bbox="199 689 671 716">Rated speed: 2770 rpm</p> <p data-bbox="199 719 660 745">Motor efficiency at full load: 73-71 %</p> <p data-bbox="199 748 580 775">Number of poles: 2</p> <p data-bbox="199 777 740 804">Enclosure class (IEC 34-5): 55 Dust/Jetting</p> <p data-bbox="199 806 580 833">Insulation class (IEC 85): F</p> <p data-bbox="199 866 293 893"><b>Others:</b></p> <p data-bbox="199 896 676 922">Minimum efficiency index, MEI <math>\eta_{min}</math>: 0.70</p> <p data-bbox="199 925 644 952">Net weight: 35.5 kg</p> <p data-bbox="199 954 644 981">Gross weight: 38.2 kg</p> <p data-bbox="199 983 660 1010">Shipping volume: 0.104 m<sup>3</sup></p> <p data-bbox="199 1012 596 1039">Country of origin: GB</p> <p data-bbox="199 1041 676 1068">Custom tariff no.: 84137075</p>

## 96533241 CRN 3-13 A-FGJ-H-E-HQQE 50 Hz



Description	Value
<b>General information:</b>	
Product name:	CRN 3-13 A-FGJ-H-E-HQQE
Product No:	96533241
EAN number:	5700397437070
Price:	1.496,00 GBP
<b>Technical:</b>	
Pump speed on which pump data are based:	2789 rpm
Rated flow:	3 m <sup>3</sup> /h
Rated head:	58.9 m
Head max:	84.1 m
Stages:	13
Impellers:	13
Number of reduced-diameter impellers:	0
Low NPSH:	N
Pump orientation:	Vertical
Shaft seal arrangement:	Single
Code for shaft seal:	HQQE
Approvals on nameplate:	CE, EAC, ACS
Curve tolerance:	ISO9906:2012 3B
Pump version:	A
Model:	A
<b>Materials:</b>	
Base:	Stainless steel EN 1.4408 AISI 316
Impeller:	Stainless steel EN 1.4401 AISI 316
Material code:	H
Code for rubber:	E
Bearing:	SIC
<b>Installation:</b>	
Maximum ambient temperature:	40 °C
Maximum operating pressure:	25 bar
Max pressure at stated temp:	25 bar / 120 °C 25 bar / -20 °C
Type of connection:	DIN / ANSI / JIS
Size of inlet connection:	DN 25/32 1 1/4 inch
Size of outlet connection:	DN 25/32 1 1/4 inch
Pressure rating for pipe connection:	PN 25
Flange rating inlet:	300 lb
Flange size for motor:	FT115
Connect code:	FGJ
<b>Liquid:</b>	
Pumped liquid:	Water
Liquid temperature range:	-20 .. 120 °C
Liquid temperature during operation:	20 °C
Density:	998.2 kg/m <sup>3</sup>
<b>Electrical data:</b>	
Motor standard:	IEC
Motor type:	90SB
Rated power - P2:	1.1 kW
Power (P2) required by pump:	1.1 kW
Mains frequency:	50 Hz
Rated voltage:	1 x 220-230/240 V





Company name:

Created by:

Phone:

Date:

07/03/2019

Description	Value
Rated current:	7.40/6.70 A
Starting current:	390 %
Cos phi - power factor:	0.98/0.99
Rated speed:	2770 rpm
Motor efficiency at full load:	73-71 %
Number of poles:	2
Enclosure class (IEC 34-5):	55 Dust/Jetting
Insulation class (IEC 85):	F
Motor protec:	PTO
Motor No:	85215705
<b>Controls:</b>	
Frequency converter:	NONE
<b>Others:</b>	
Minimum efficiency index, MEI $\eta$ %:	0.70
Net weight:	35.5 kg
Gross weight:	38.2 kg
Shipping volume:	0.104 m <sup>3</sup>
Sales region:	Great Britain
Country of origin:	GB
Custom tariff no.:	84137075

## 96533241 CRN 3-13 A-FGJ-H-E-HQQE 50 Hz

