
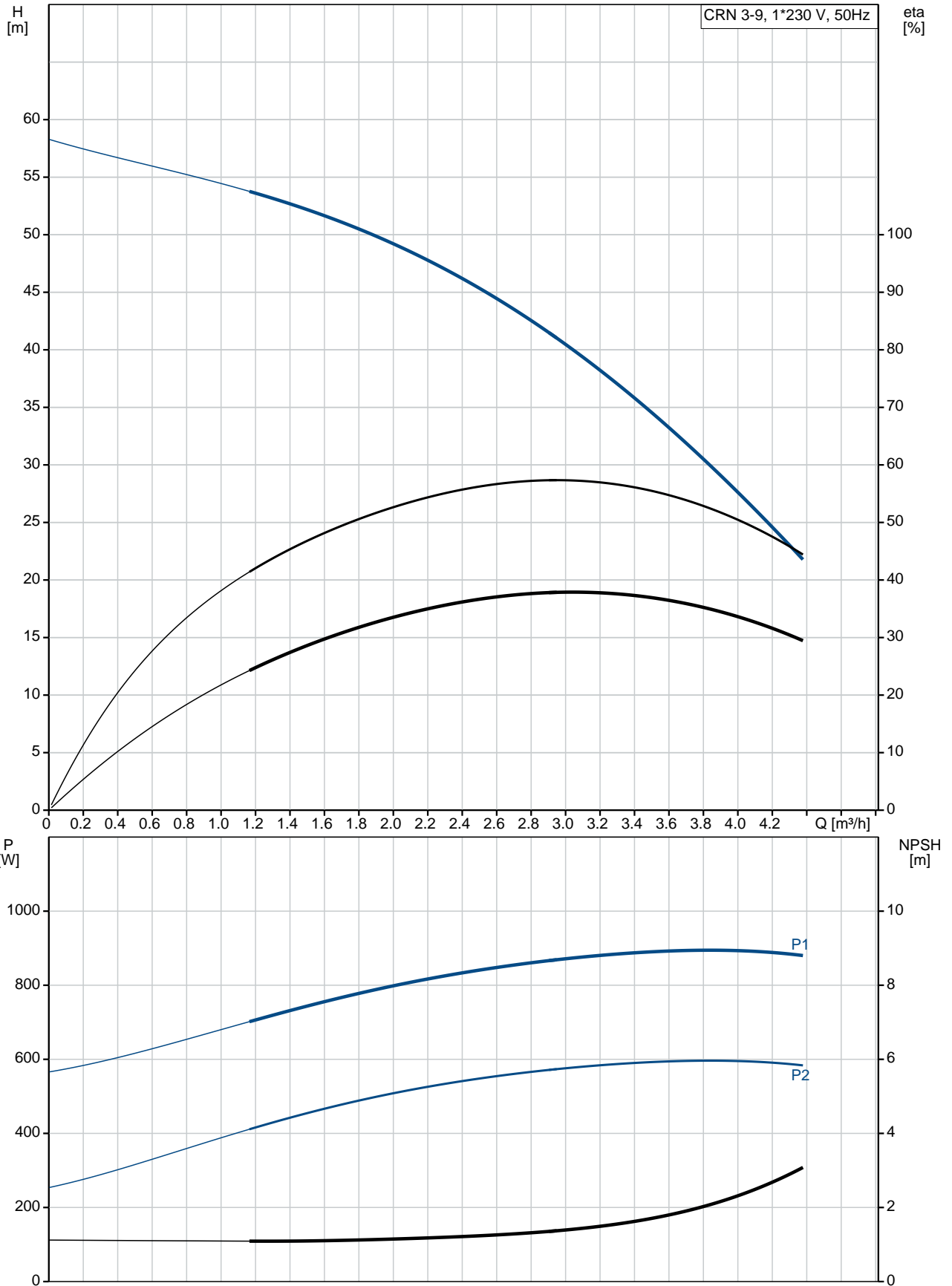


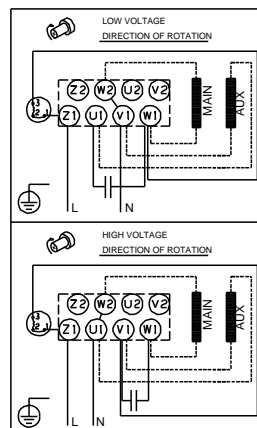
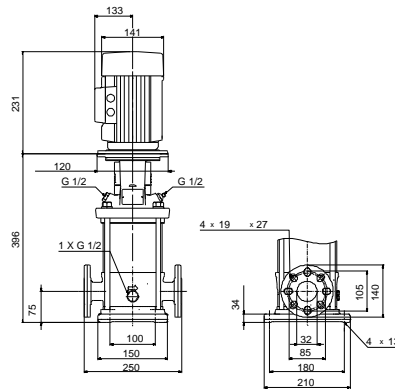
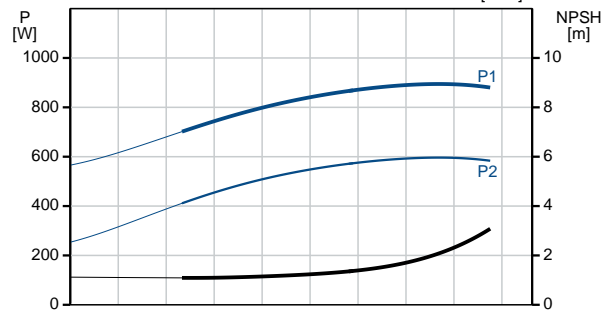
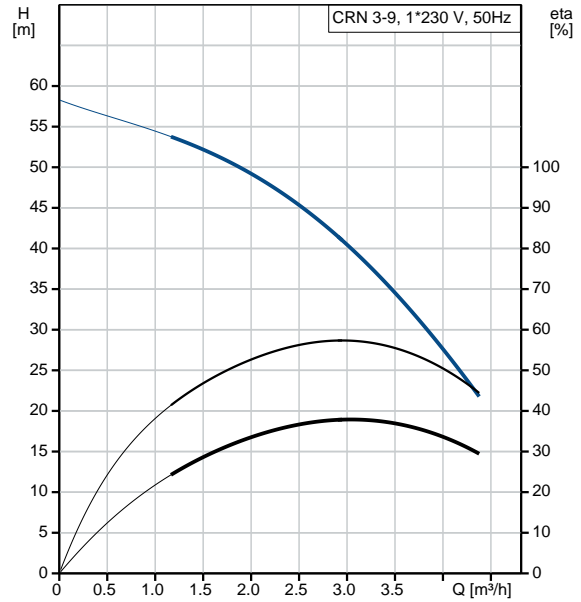
Qty.	Description
1	<p data-bbox="199 338 518 369"><b>CRN 3-9 A-FGJ-H-E-HQQE</b></p>  <p data-bbox="199 660 470 692">Product No.: <a href="#">96533237</a></p> <p data-bbox="199 719 1404 824">Vertical, multistage centrifugal pump with inlet and outlet ports on same the level (inline). Pump materials in contact with the liquid are in high-grade stainless steel. A cartridge shaft seal ensures high reliability, safe handling, and easy access and service. Power transmission is via a rigid split coupling. Pipe connection is via combined DIN-ANSI-JIS flanges.</p> <p data-bbox="199 862 933 893">The pump is fitted with a 1-phase, fan-cooled asynchronous motor.</p> <p data-bbox="199 920 319 952"><b>Controls:</b></p> <p data-bbox="199 952 638 983">Frequency converter: NONE</p> <p data-bbox="199 1010 295 1041"><b>Liquid:</b></p> <p data-bbox="199 1041 638 1072">Pumped liquid: Water</p> <p data-bbox="199 1072 710 1104">Liquid temperature range: -20 .. 120 °C</p> <p data-bbox="199 1104 694 1135">Liquid temperature during operation: 20 °C</p> <p data-bbox="199 1135 702 1167">Density: 998.2 kg/m<sup>3</sup></p> <p data-bbox="199 1193 327 1225"><b>Technical:</b></p> <p data-bbox="199 1225 821 1256">Pump speed on which pump data are based: 2759 rpm</p> <p data-bbox="199 1256 638 1288">Rated flow: 3 m<sup>3</sup>/h</p> <p data-bbox="199 1288 622 1319">Rated head: 40 m</p> <p data-bbox="199 1319 654 1350">Pump orientation: Vertical</p> <p data-bbox="199 1350 638 1382">Shaft seal arrangement: Single</p> <p data-bbox="199 1382 638 1413">Code for shaft seal: HQQE</p> <p data-bbox="199 1413 726 1444">Approvals on nameplate: CE, EAC, ACS</p> <p data-bbox="199 1444 766 1476">Curve tolerance: ISO9906:2012 3B</p> <p data-bbox="199 1503 327 1534"><b>Materials:</b></p> <p data-bbox="199 1534 726 1601">Base: Stainless steel EN 1.4408 AISI 316</p> <p data-bbox="199 1601 726 1691">Impeller: Stainless steel EN 1.4401 AISI 316</p> <p data-bbox="199 1691 614 1722">Bearing: SIC</p> <p data-bbox="199 1749 343 1780"><b>Installation:</b></p> <p data-bbox="199 1780 630 1812">Maximum ambient temperature: 40 °C</p> <p data-bbox="199 1812 638 1843">Maximum operating pressure: 25 bar</p> <p data-bbox="199 1843 742 1910">Max pressure at stated temp: 25 bar / 120 °C 25 bar / -20 °C</p> <p data-bbox="199 1910 742 1942">Type of connection: DIN / ANSI / JIS</p> <p data-bbox="199 1942 678 2009">Size of inlet connection: DN 25/32 1 1/4 inch</p> <p data-bbox="199 2009 678 2076">Size of outlet connection: DN 25/32 1 1/4 inch</p> <p data-bbox="199 2076 686 2107">Pressure rating for pipe connection: PN 25</p> <p data-bbox="199 2107 638 2139">Flange rating inlet: 300 lb</p>

Qty.	Description
	Flange size for motor: FT100
	<b>Electrical data:</b>
	Motor standard: IEC
	Motor type: 80B
	Rated power - P2: 0.75 kW
	Power (P2) required by pump: 0.75 kW
	Mains frequency: 50 Hz
	Rated voltage: 1 x 220-230/240 V
	Rated current: 5.10/4.75 A
	Starting current: 300 %
	Cos phi - power factor: 0.99
	Rated speed: 2780 rpm
	Efficiency: 72.1%
	Motor efficiency at full load: 72.1 %
	Number of poles: 2
	Enclosure class (IEC 34-5): 55 Dust/Jetting
	Insulation class (IEC 85): F
	<b>Others:</b>
	Minimum efficiency index, MEI $\hat{\alpha}\%$ : 0.70
	Net weight: 26 kg
	Gross weight: 28.6 kg
	Shipping volume: 0.094 m <sup>3</sup>
	Country of origin: GB
	Custom tariff no.: 84137075

## 96533237 CRN 3-9 A-FGJ-H-E-HQQE 50 Hz



Description	Value
<b>General information:</b>	
Product name:	CRN 3-9 A-FGJ-H-E-HQQE
Product No:	96533237
EAN number:	5700397437032
Price:	1.262,00 GBP
<b>Technical:</b>	
Pump speed on which pump data are based:	2759 rpm
Rated flow:	3 m <sup>3</sup> /h
Rated head:	40 m
Head max:	57.8 m
Stages:	9
Impellers:	9
Number of reduced-diameter impellers:	0
Low NPSH:	N
Pump orientation:	Vertical
Shaft seal arrangement:	Single
Code for shaft seal:	HQQE
Approvals on nameplate:	CE, EAC, ACS
Curve tolerance:	ISO9906:2012 3B
Pump version:	A
Model:	A
<b>Materials:</b>	
Base:	Stainless steel EN 1.4408 AISI 316
Impeller:	Stainless steel EN 1.4401 AISI 316
Material code:	H
Code for rubber:	E
Bearing:	SIC
<b>Installation:</b>	
Maximum ambient temperature:	40 °C
Maximum operating pressure:	25 bar
Max pressure at stated temp:	25 bar / 120 °C 25 bar / -20 °C
Type of connection:	DIN / ANSI / JIS
Size of inlet connection:	DN 25/32 1 1/4 inch
Size of outlet connection:	DN 25/32 1 1/4 inch
Pressure rating for pipe connection:	PN 25
Flange rating inlet:	300 lb
Flange size for motor:	FT100
Connect code:	FGJ
<b>Liquid:</b>	
Pumped liquid:	Water
Liquid temperature range:	-20 .. 120 °C
Liquid temperature during operation:	20 °C
Density:	998.2 kg/m <sup>3</sup>
<b>Electrical data:</b>	
Motor standard:	IEC
Motor type:	80B
Rated power - P2:	0.75 kW
Power (P2) required by pump:	0.75 kW
Mains frequency:	50 Hz
Rated voltage:	1 x 220-230/240 V





Company name:

Created by:

Phone:

Date:

07/03/2019

Description	Value
Rated current:	5.10/4.75 A
Starting current:	300 %
Cos phi - power factor:	0.99
Rated speed:	2780 rpm
Efficiency:	72.1%
Motor efficiency at full load:	72.1 %
Number of poles:	2
Enclosure class (IEC 34-5):	55 Dust/Jetting
Insulation class (IEC 85):	F
Motor protec:	PTO
Motor No:	85215104
<b>Controls:</b>	
Frequency converter:	NONE
<b>Others:</b>	
Minimum efficiency index, MEI $\eta_{min}$ :	0.70
Net weight:	26 kg
Gross weight:	28.6 kg
Shipping volume:	0.094 m <sup>3</sup>
Sales region:	Great Britain
Country of origin:	GB
Custom tariff no.:	84137075

## 96533237 CRN 3-9 A-FGJ-H-E-HQQE 50 Hz

