

Qty. Description

1 CRI 3-23 A-FGJ-A-V-HQQV



Note! Product picture may differ from actual product

Product No.: [96533226](#)

Vertical, multistage centrifugal pump with inlet and outlet ports on same the level (inline). Pump materials in contact with the liquid are in stainless steel. A cartridge shaft seal ensures high reliability, safe handling, and easy access and service. Power transmission is via a rigid split coupling. Pipe connection is via combined DIN-ANSI-JIS flanges.

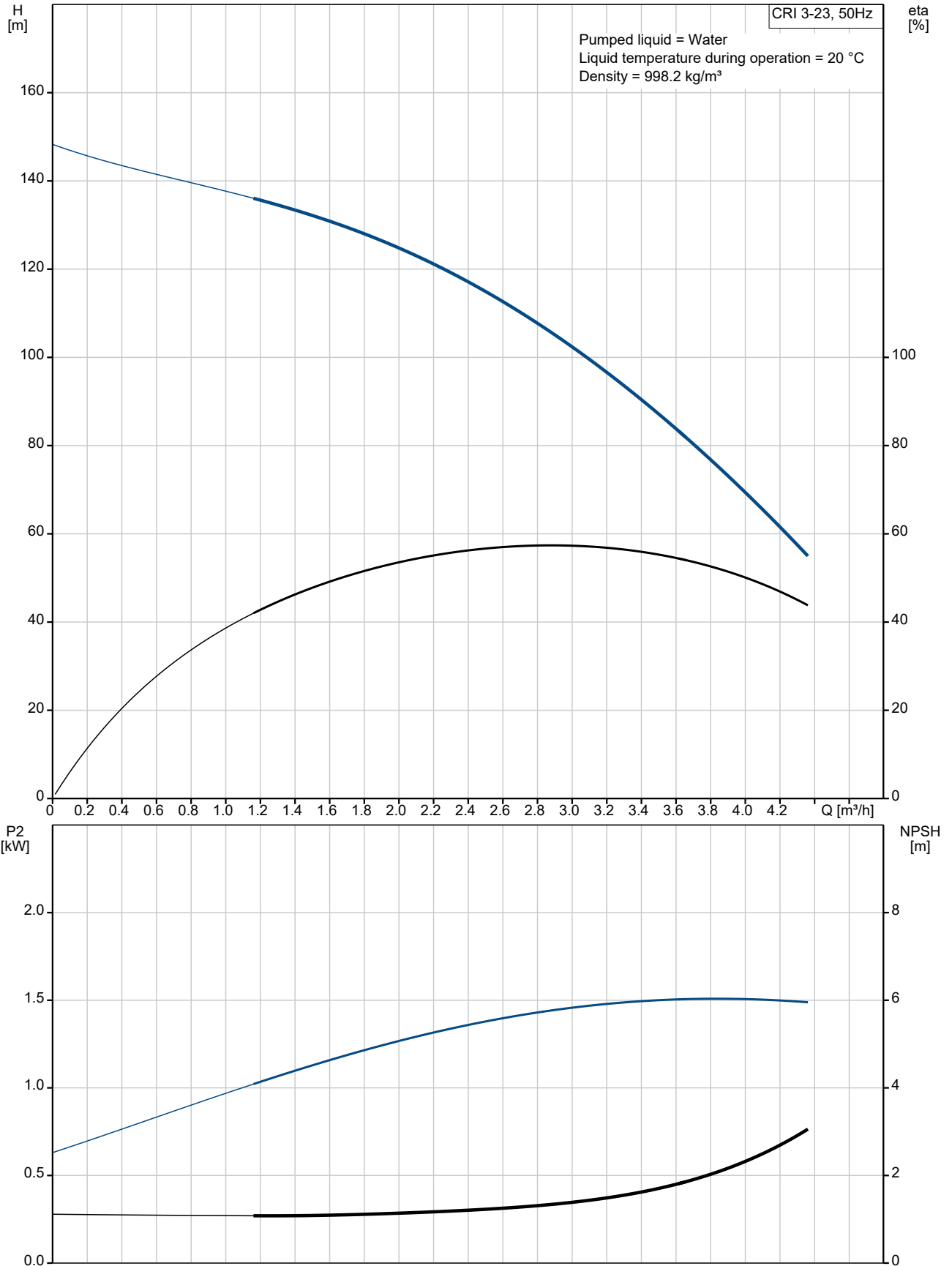
The pump is fitted with a 1-phase, fan-cooled asynchronous motor.

Liquid:

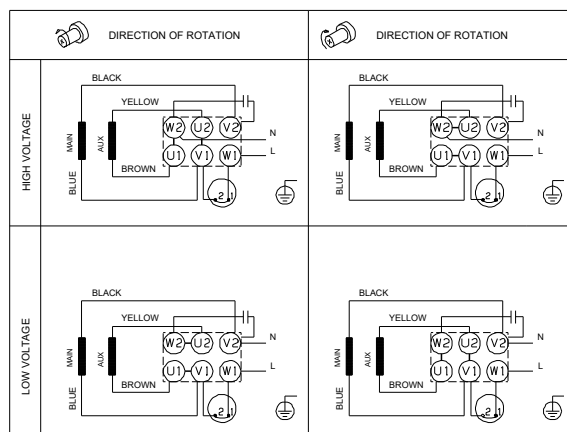
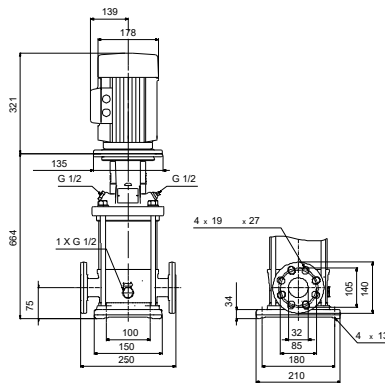
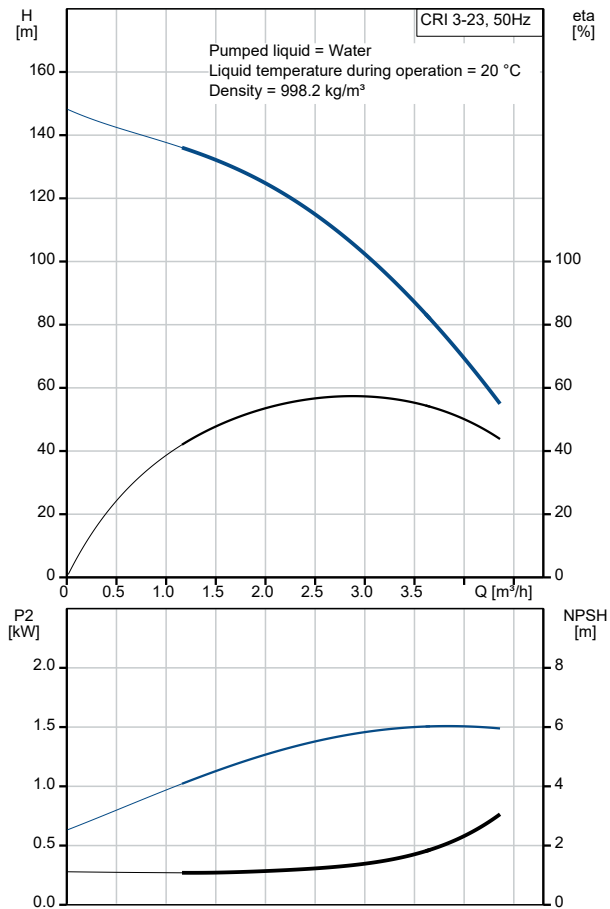
| | |
|------------------------------|-------------------------|
| Pumped liquid: | Water |
| Liquid temperature range: | -20 .. 90 °C |
| Selected liquid temperature: | 20 °C |
| Density: | 998.2 kg/m ³ |

| Qty. | Description |
|------|--|
| | <p>Technical: Pump speed on which pump data are based: 2730 rpm Rated flow: 3 m³/h Rated head: 102.7 m Pump orientation: Vertical Shaft seal arrangement: Single Code for shaft seal: HQQV Approvals: CE,EAC,UKCA Approvals for drinking water: WRAS Curve tolerance: ISO9906:2012 3B</p> <p>Materials: Base: Stainless steel EN 1.4408 AISI 316 Impeller: Stainless steel EN 1.4301 AISI 304 Bearing: SIC</p> <p>Installation: Maximum ambient temperature: 40 °C Maximum operating pressure: 25 bar Max pressure at stated temp: 25 bar / 90 °C 25 bar / -20 °C Type of connection: DIN / ANSI / JIS Size of inlet connection: DN 25/32 Size of outlet connection: DN 25/32 Pressure rating for connection: PN 25 Flange rating inlet: 300 lb Flange size for motor: FT115</p> <p>Electrical data: Motor standard: IEC Motor type: 90LC Rated power - P2: 2.2 kW Power (P2) required by pump: 2.2 kW Mains frequency: 50 Hz Rated voltage: 1 x 220-230/240 V Rated current: 14,0-13,6/12,6 A Starting current: 330 % Cos phi - power factor: 1.00 Rated speed: 2730/2720 rpm Motor efficiency at full load: 75 % Number of poles: 2 Enclosure class (IEC 34-5): 55 Dust/Jetting Insulation class (IEC 85): F Motor No: 85215708</p> <p>Controls: Frequency converter: NONE</p> <p>Others: Minimum efficiency index, MEI ≥: 0.70 Net weight: 46.9 kg Gross weight: 49.8 kg Shipping volume: 0.13 m³</p> |

96533226 CRI 3-23 A-FGJ-A-V-HQQV 50 Hz



| Description | Value |
|--|----------------------------|
| General information: | |
| Product name: | CRI 3-23 A-FGJ-A-V-HQQV |
| Product No: | 96533226 |
| EAN number: | 5700397435823 |
| Price: | |
| Technical: | |
| Pump speed on which pump data are based: | 2730 rpm |
| Rated flow: | 3 m ³ /h |
| Rated head: | 102.7 m |
| Maximum head: | 148.1 m |
| Stages: | 23 |
| Impellers: | 23 |
| Number of reduced-diameter impellers: | 0 |
| Low NPSH: | N |
| Pump orientation: | Vertical |
| Shaft seal arrangement: | Single |
| Code for shaft seal: | HQQV |
| Approvals: | CE,EAC,UKCA |
| Approvals for drinking water: | WRAS |
| Curve tolerance: | ISO9906:2012 3B |
| Pump version: | A |
| Model: | A |
| Materials: | |
| Base: | Stainless steel |
| Base: | EN 1.4408 |
| Base: | AISI 316 |
| Impeller: | Stainless steel |
| Impeller: | EN 1.4301 |
| Impeller: | AISI 304 |
| Material code: | A |
| Code for rubber: | V |
| Bearing: | SIC |
| Installation: | |
| Maximum ambient temperature: | 40 °C |
| Maximum operating pressure: | 25 bar |
| Max pressure at stated temp: | 25 bar / 90 °C |
| Max pressure at stated temp: | 25 bar / -20 °C |
| Type of connection: | DIN / ANSI / JIS |
| Size of inlet connection: | DN 25/32 |
| Size of outlet connection: | DN 25/32 |
| Pressure rating for connection: | PN 25 |
| Flange rating inlet: | 300 lb |
| Flange size for motor: | FT115 |
| Connect code: | FGJ |
| Liquid: | |
| Pumped liquid: | Water |
| Liquid temperature range: | -20 .. 90 °C |
| Selected liquid temperature: | 20 °C |
| Density: | 998.2 kg/m ³ |
| Electrical data: | |
| Motor standard: | IEC |
| Motor type: | 90LC |
| Rated power - P2: | 2.2 kW |
| Power (P2) required by pump: | 2.2 kW |
| Mains frequency: | 50 Hz |
| Rated voltage: | 1 x 220-230/240 V |
| Rated current: | 14,0-13,6/12,6 A |





Company name:

Created by:

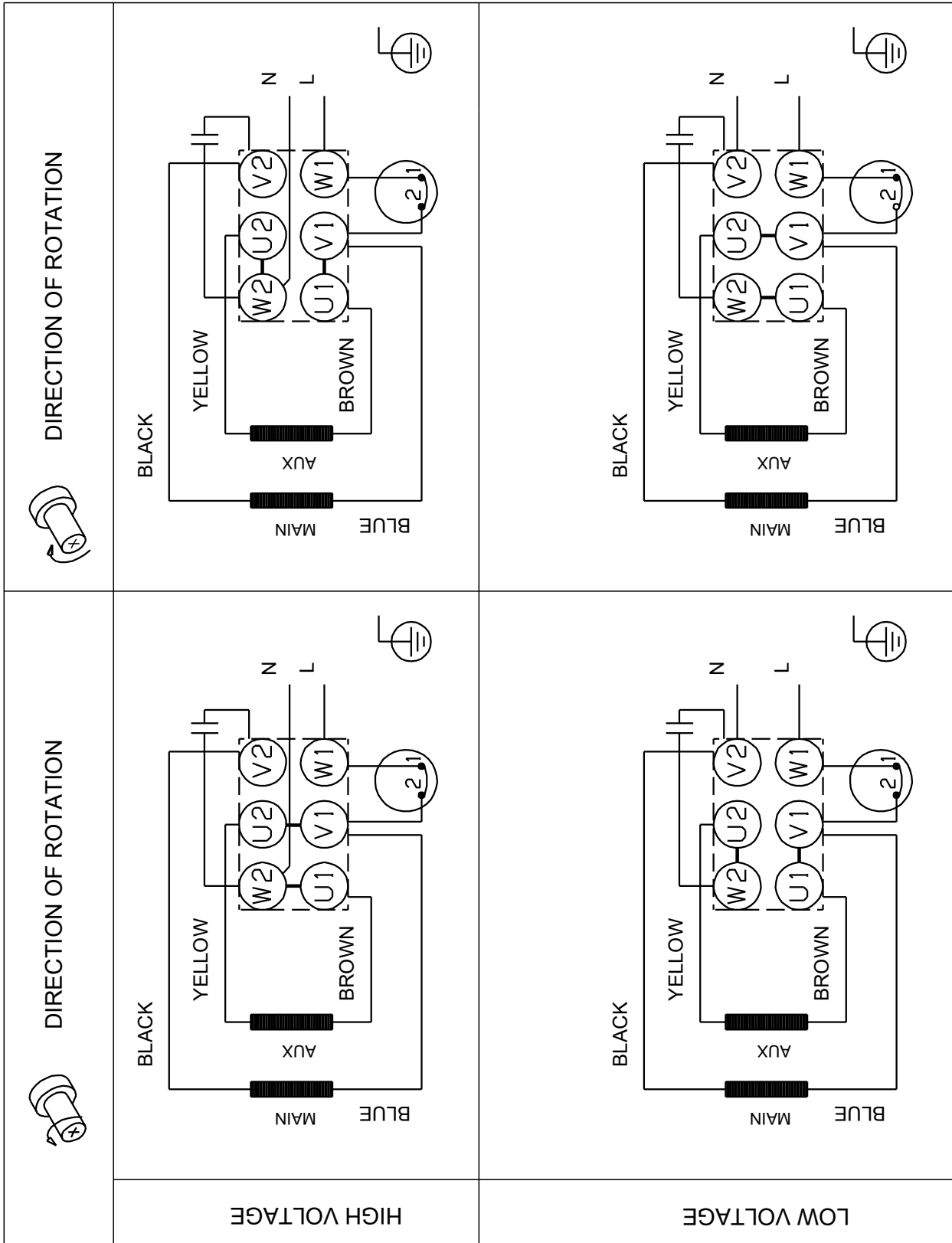
Phone:

Date:

13/07/2021

| Description | Value |
|----------------------------------|---------------------|
| Starting current: | 330 % |
| Cos phi - power factor: | 1.00 |
| Rated speed: | 2730/2720 rpm |
| Motor efficiency at full load: | 75 % |
| Number of poles: | 2 |
| Enclosure class (IEC 34-5): | 55 Dust/Jetting |
| Insulation class (IEC 85): | F |
| Motor protec: | PTO |
| Motor No: | 85215708 |
| Controls: | |
| Frequency converter: | NONE |
| Others: | |
| Minimum efficiency index, MEI ≥: | 0.70 |
| Net weight: | 46.9 kg |
| Gross weight: | 49.8 kg |
| Shipping volume: | 0.13 m ³ |
| Sales region: | GB |

96533226 CRI 3-23 A-FGJ-A-V-HQQV 50 Hz



Note! All units are in [mm] unless others are stated.