

Qty. Description

1 CRI 3-21 A-FGJ-A-V-HQQV



Note! Product picture may differ from actual product

Product No.: [96533225](#)

Vertical, multistage centrifugal pump with inlet and outlet ports on same the level (inline). Pump materials in contact with the liquid are in stainless steel. A cartridge shaft seal ensures high reliability, safe handling, and easy access and service. Power transmission is via a rigid split coupling. Pipe connection is via combined DIN-ANSI-JIS flanges.

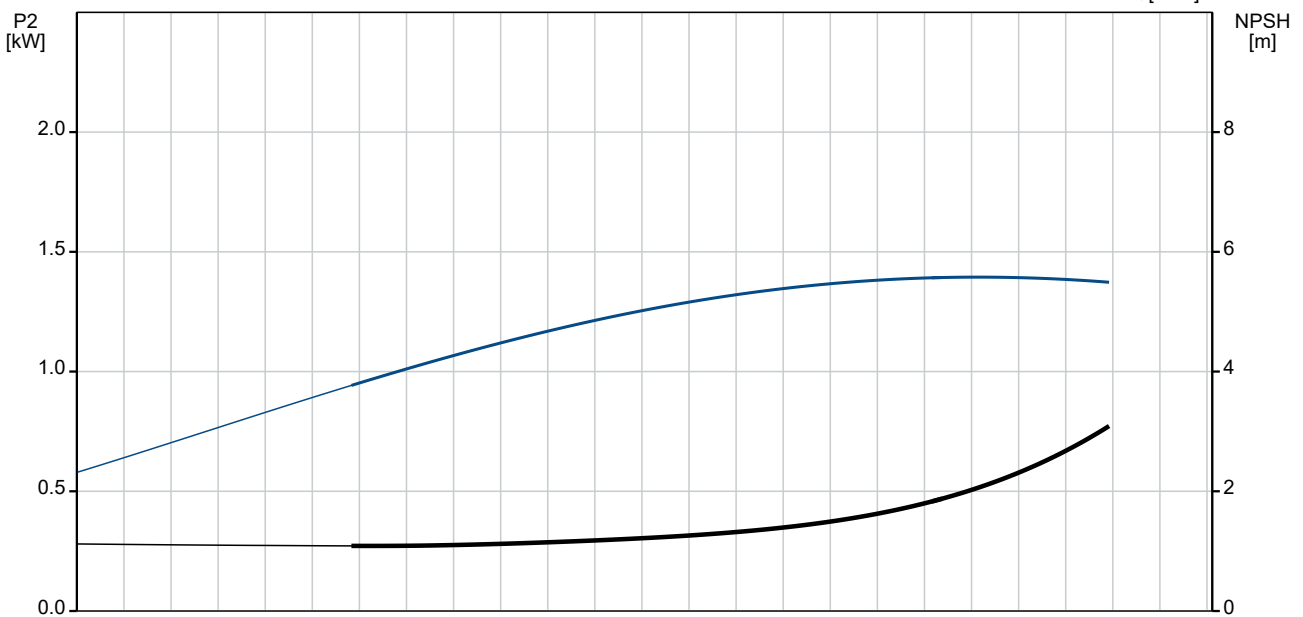
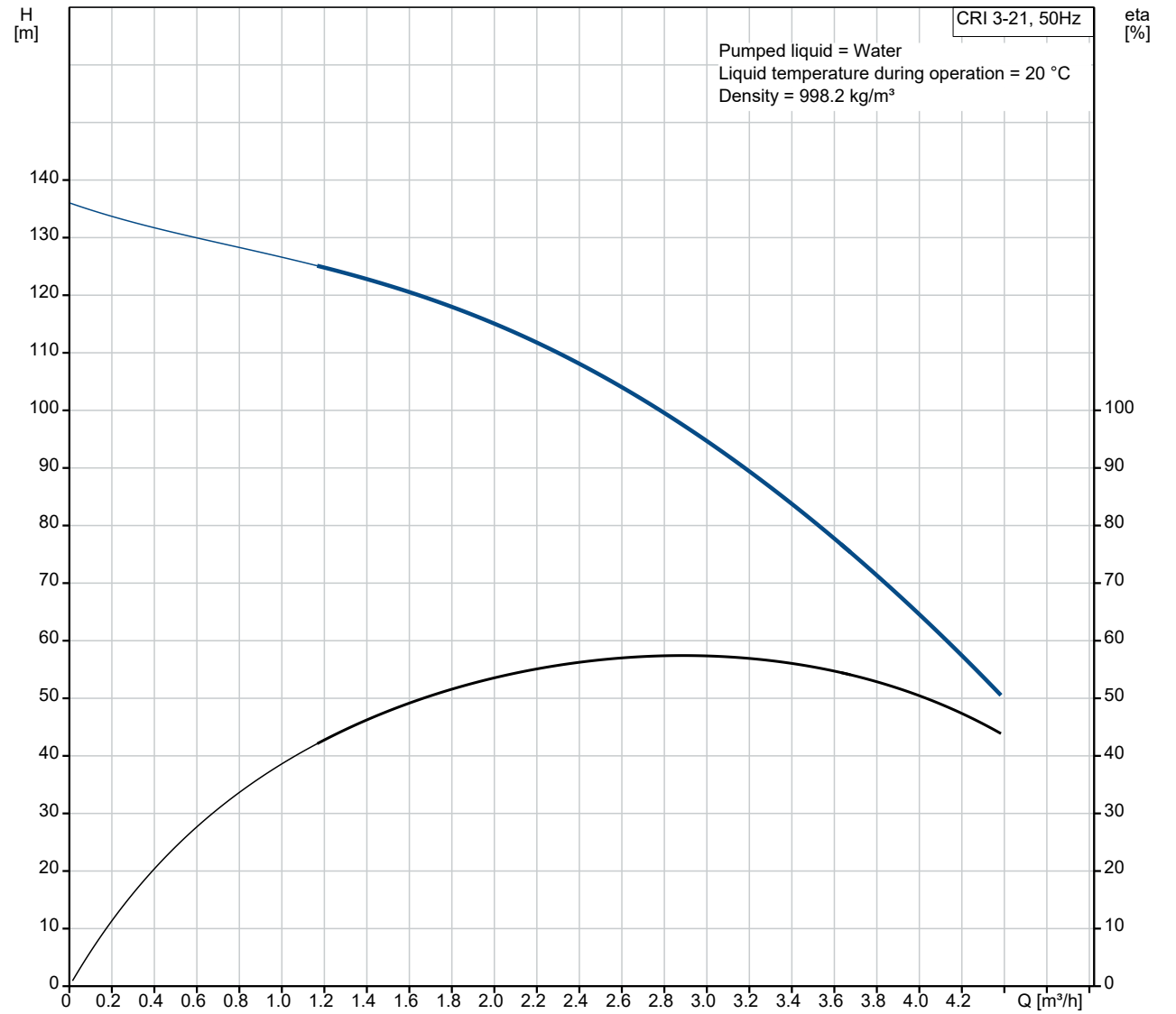
The pump is fitted with a 1-phase, fan-cooled asynchronous motor.

Liquid:

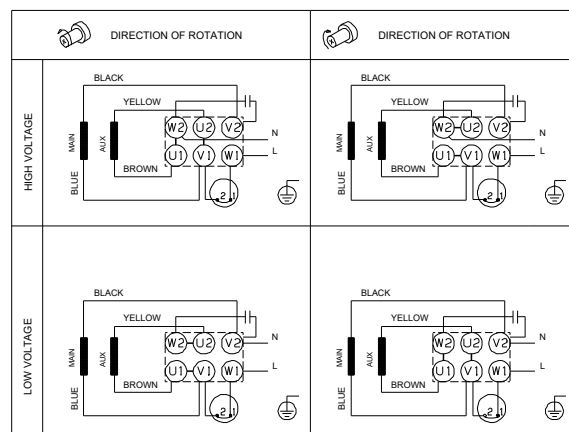
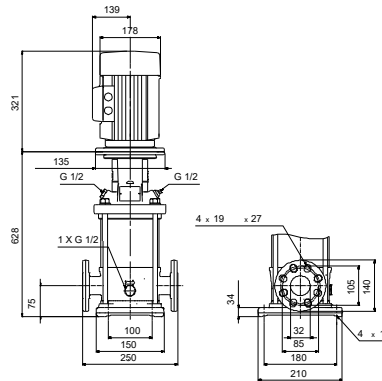
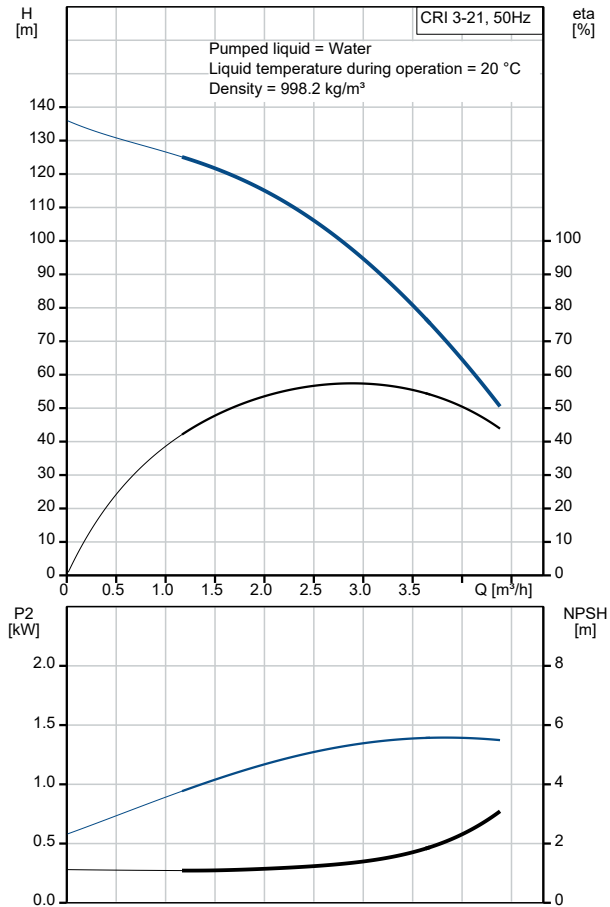
Pumped liquid:	Water
Liquid temperature range:	-20 .. 90 °C
Selected liquid temperature:	20 °C
Density:	998.2 kg/m <sup>3</sup>

Qty.	Description
	<p><b>Technical:</b>                      Pump speed on which pump data are based: 2730 rpm                      Rated flow: 3 m<sup>3</sup>/h                      Rated head: 95 m                      Pump orientation: Vertical                      Shaft seal arrangement: Single                      Code for shaft seal: HQQV                      Approvals: CE,EAC,UKCA                      Approvals for drinking water: WRAS                      Curve tolerance: ISO9906:2012 3B</p> <p><b>Materials:</b>                      Base: Stainless steel                      EN 1.4408                      AISI 316                      Impeller: Stainless steel                      EN 1.4301                      AISI 304                      Bearing: SIC</p> <p><b>Installation:</b>                      Maximum ambient temperature: 40 °C                      Maximum operating pressure: 25 bar                      Max pressure at stated temp: 25 bar / 90 °C                      25 bar / -20 °C                      Type of connection: DIN / ANSI / JIS                      Size of inlet connection: DN 25/32                      Size of outlet connection: DN 25/32                      Pressure rating for connection: PN 25                      Flange rating inlet: 300 lb                      Flange size for motor: FT115</p> <p><b>Electrical data:</b>                      Motor standard: IEC                      Motor type: 90LC                      Rated power - P2: 2.2 kW                      Power (P2) required by pump: 2.2 kW                      Mains frequency: 50 Hz                      Rated voltage: 1 x 220-230/240 V                      Rated current: 14,0-13,6/12,6 A                      Starting current: 330 %                      Cos phi - power factor: 1.00                      Rated speed: 2730/2720 rpm                      Motor efficiency at full load: 75 %                      Number of poles: 2                      Enclosure class (IEC 34-5): 55 Dust/Jetting                      Insulation class (IEC 85): F                      Motor No: 85215708</p> <p><b>Controls:</b>                      Frequency converter: NONE</p> <p><b>Others:</b>                      Minimum efficiency index, MEI ≥: 0.70                      Net weight: 46.1 kg                      Gross weight: 49 kg                      Shipping volume: 0.13 m<sup>3</sup></p>

## 96533225 CRI 3-21 A-FGJ-A-V-HQQV 50 Hz



Description	Value
<b>General information:</b>	
Product name:	CRI 3-21 A-FGJ-A-V-HQQV
Product No:	96533225
EAN number:	5700397435816
Price:	
<b>Technical:</b>	
Pump speed on which pump data are based:	2730 rpm
Rated flow:	3 m <sup>3</sup> /h
Rated head:	95 m
Maximum head:	135.8 m
Stages:	21
Impellers:	21
Number of reduced-diameter impellers:	0
Low NPSH:	N
Pump orientation:	Vertical
Shaft seal arrangement:	Single
Code for shaft seal:	HQQV
Approvals:	CE,EAC,UKCA
Approvals for drinking water:	WRAS
Curve tolerance:	ISO9906:2012 3B
Pump version:	A
Model:	A
<b>Materials:</b>	
Base:	Stainless steel
Base:	EN 1.4408
Base:	AISI 316
Impeller:	Stainless steel
Impeller:	EN 1.4301
Impeller:	AISI 304
Material code:	A
Code for rubber:	V
Bearing:	SIC
<b>Installation:</b>	
Maximum ambient temperature:	40 °C
Maximum operating pressure:	25 bar
Max pressure at stated temp:	25 bar / 90 °C
Max pressure at stated temp:	25 bar / -20 °C
Type of connection:	DIN / ANSI / JIS
Size of inlet connection:	DN 25/32
Size of outlet connection:	DN 25/32
Pressure rating for connection:	PN 25
Flange rating inlet:	300 lb
Flange size for motor:	FT115
Connect code:	FGJ
<b>Liquid:</b>	
Pumped liquid:	Water
Liquid temperature range:	-20 .. 90 °C
Selected liquid temperature:	20 °C
Density:	998.2 kg/m <sup>3</sup>
<b>Electrical data:</b>	
Motor standard:	IEC
Motor type:	90LC
Rated power - P2:	2.2 kW
Power (P2) required by pump:	2.2 kW
Mains frequency:	50 Hz
Rated voltage:	1 x 220-230/240 V
Rated current:	14,0-13,6/12,6 A





Company name:

Created by:

Phone:

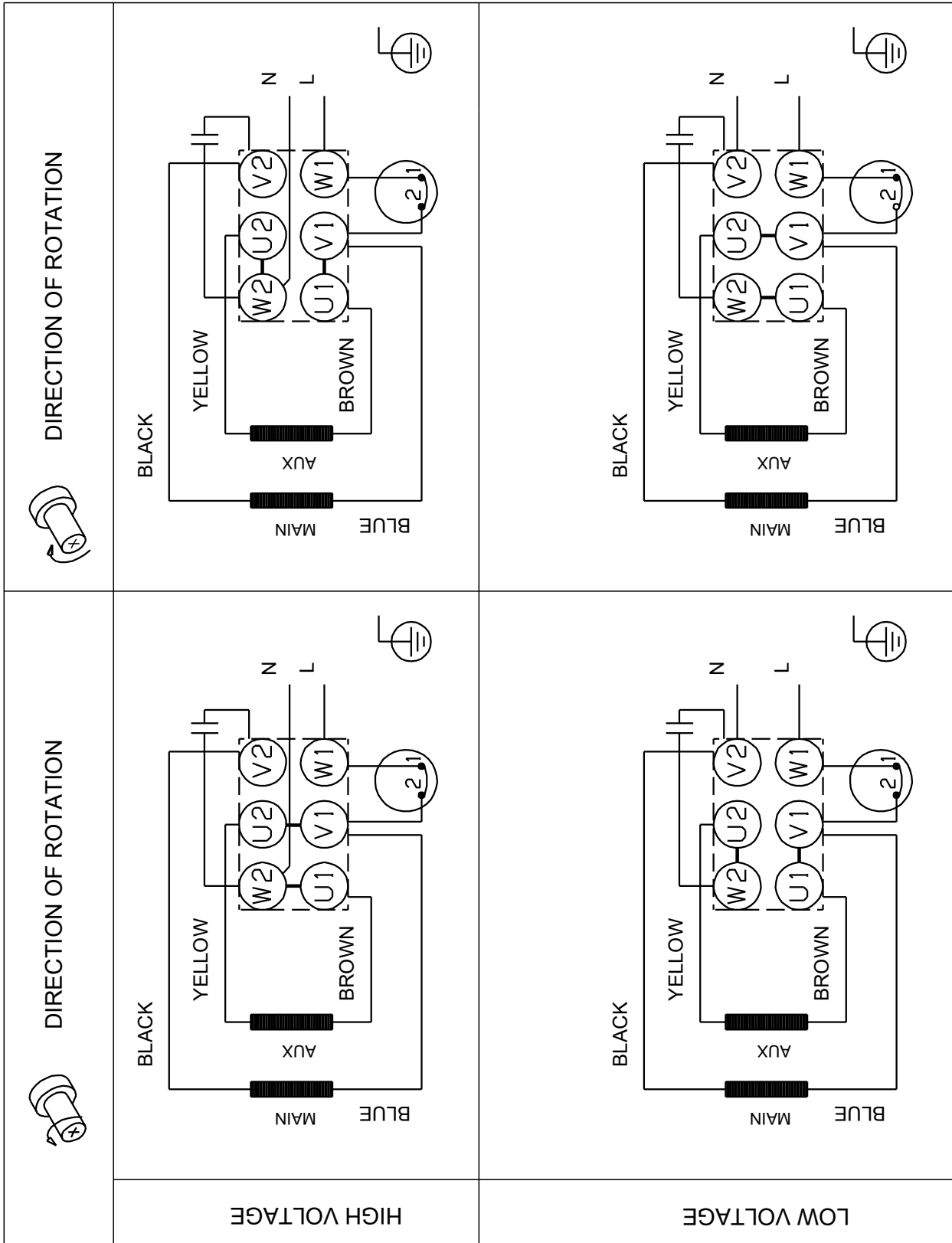
Date:

13/07/2021

Description	Value
Starting current:	330 %
Cos phi - power factor:	1.00
Rated speed:	2730/2720 rpm
Motor efficiency at full load:	75 %
Number of poles:	2
Enclosure class (IEC 34-5):	55 Dust/Jetting
Insulation class (IEC 85):	F
Motor protec:	PTO
Motor No:	85215708
<b>Controls:</b>	
Frequency converter:	NONE
<b>Others:</b>	
Minimum efficiency index, MEI ≥:	0.70
Net weight:	46.1 kg
Gross weight:	49 kg
Shipping volume:	0.13 m <sup>3</sup>
Sales region:	GB



## 96533225 CRI 3-21 A-FGJ-A-V-HQQV 50 Hz



Note! All units are in [mm] unless others are stated.