

Qty. Description

1 CRI 3-11 A-CA-A-V-HQQV



Note! Product picture may differ from actual product

Product No.: [96533219](#)

Vertical, multistage centrifugal pump with inlet and outlet ports on same the level (inline). Pump materials in contact with the liquid are in stainless steel. A cartridge shaft seal ensures high reliability, safe handling, and easy access and service. Power transmission is via a rigid split coupling. Pipe connection is via FlexiClamps.

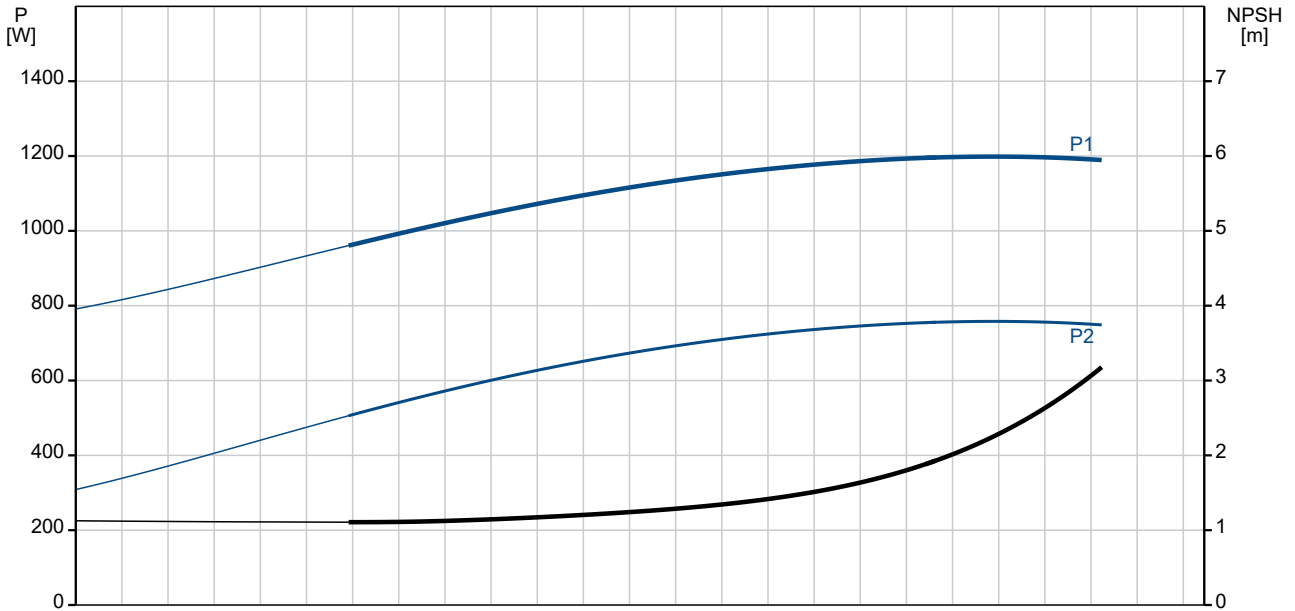
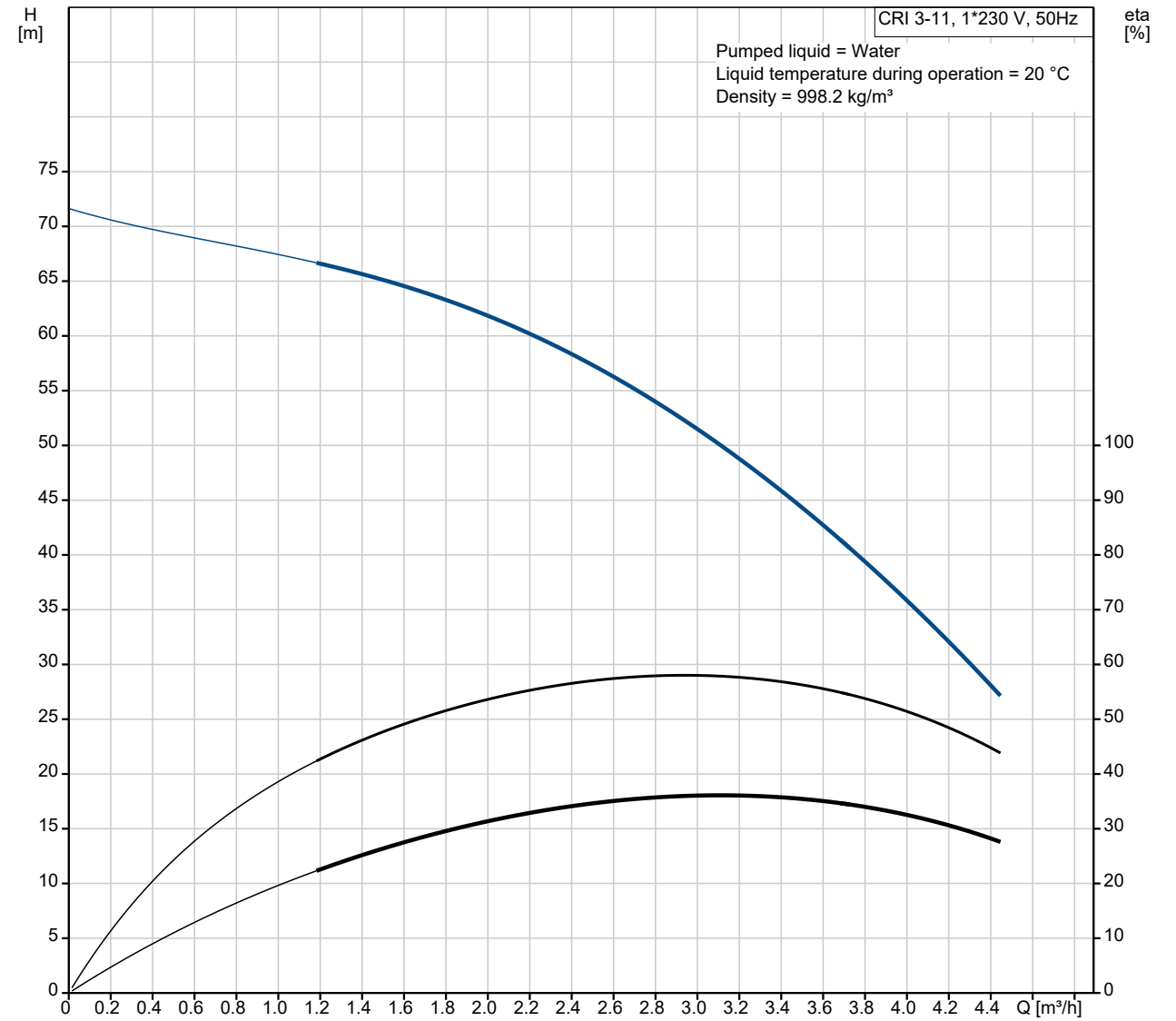
The pump is fitted with a 1-phase, fan-cooled asynchronous motor.

Liquid:  
Pumped liquid: Water  
Liquid temperature range: -20 .. 90 °C  
Selected liquid temperature: 20 °C  
Density: 998.2 kg/m<sup>3</sup>

Technical:

Qty.	Description
	Pump speed on which pump data are based: 2789 rpm Rated flow: 3 m <sup>3</sup> /h Rated head: 47.2 m Pump orientation: Vertical Shaft seal arrangement: Single Code for shaft seal: HQQV Approvals: CE,EAC,UKCA Approvals for drinking water: WRAS Curve tolerance: ISO9906:2012 3B  Materials: Base: Stainless steel EN 1.4408 AISI 316 Impeller: Stainless steel EN 1.4301 AISI 304 Bearing: SIC  Installation: Maximum ambient temperature: 40 °C Maximum operating pressure: 25 bar Max pressure at stated temp: 25 bar / 90 °C 25 bar / -20 °C Type of connection: FlexiClamp Size of inlet connection: DN 32 Size of outlet connection: DN 32 Pressure rating for connection: PN 25 Flange size for motor: FT115  Electrical data: Motor standard: IEC Motor type: 90SB Rated power - P2: 1.1 kW Power (P2) required by pump: 1.1 kW Mains frequency: 50 Hz Rated voltage: 1 x 220-230/240 V Rated current: 7.40/6.70 A Starting current: 390 % Cos phi - power factor: 0.98/0.99 Rated speed: 2770 rpm Motor efficiency at full load: 73-71 % Number of poles: 2 Enclosure class (IEC 34-5): 55 Dust/Jetting Insulation class (IEC 85): F Motor No: 85215705  Controls: Frequency converter: NONE  Others: Minimum efficiency index, MEI ≥: 0.70 Net weight: 32.4 kg Gross weight: 35.2 kg Shipping volume: 0.074 m <sup>3</sup>

## 96533219 CRI 3-11 A-CA-A-V-HQQV 50 Hz



Description	Value
-------------	-------

**General information:**

Product name: CRI 3-11  
A-CA-A-V-HQQV  
Product No: 96533219  
EAN number: 5700397434659

**Technical:**

Pump speed on which pump data are based: 2789 rpm  
Rated flow: 3 m³/h  
Rated head: 47.2 m  
Maximum head: 70 m  
Stages: 11  
Impellers: 11  
Number of reduced-diameter impellers: 0  
Low NPSH: N  
Pump orientation: Vertical  
Shaft seal arrangement: Single  
Code for shaft seal: HQQV  
Approvals: CE,EAC,UKCA  
Approvals for drinking water: WRAS  
Curve tolerance: ISO9906:2012 3B  
Pump version: A  
Model: A

**Materials:**

Base: Stainless steel  
Base: EN 1.4408  
Base: AISI 316  
Impeller: Stainless steel  
Impeller: EN 1.4301  
Impeller: AISI 304  
Material code: A  
Code for rubber: V  
Bearing: SIC

**Installation:**

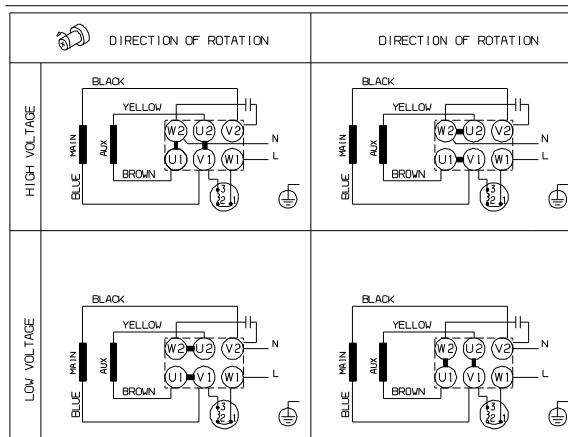
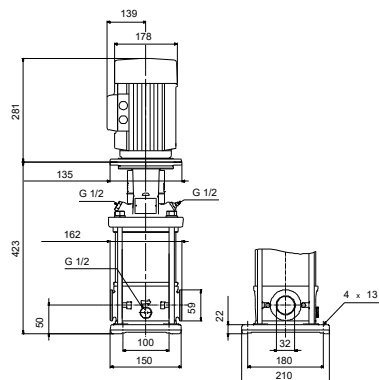
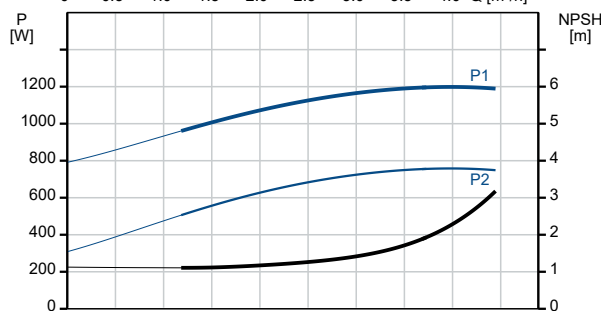
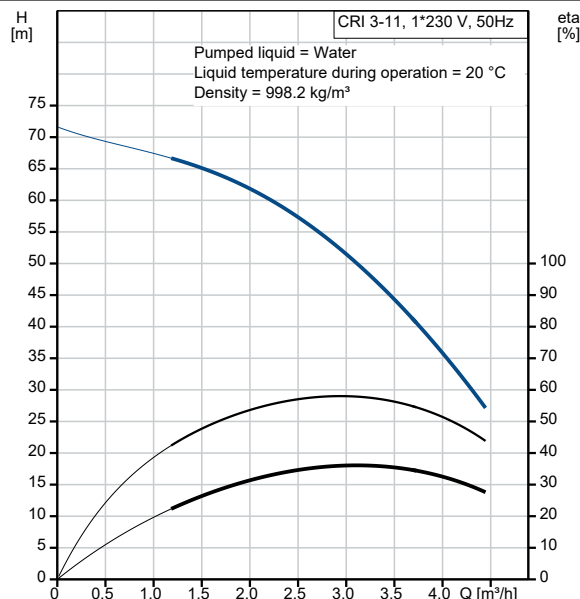
Maximum ambient temperature: 40 °C  
Maximum operating pressure: 25 bar  
Max pressure at stated temp: 25 bar / 90 °C  
Max pressure at stated temp: 25 bar / -20 °C  
Type of connection: FlexiClamp  
Size of inlet connection: DN 32  
Size of outlet connection: DN 32  
Pressure rating for connection: PN 25  
Flange size for motor: FT115  
Connect code: CA

**Liquid:**

Pumped liquid: Water  
Liquid temperature range: -20 .. 90 °C  
Selected liquid temperature: 20 °C  
Density: 998.2 kg/m³

**Electrical data:**

Motor standard: IEC  
Motor type: 90SB  
Rated power - P2: 1.1 kW  
Power (P2) required by pump: 1.1 kW  
Mains frequency: 50 Hz  
Rated voltage: 1 x 220-230/240 V  
Rated current: 7.40/6.70 A  
Starting current: 390 %







Company name:

Created by:

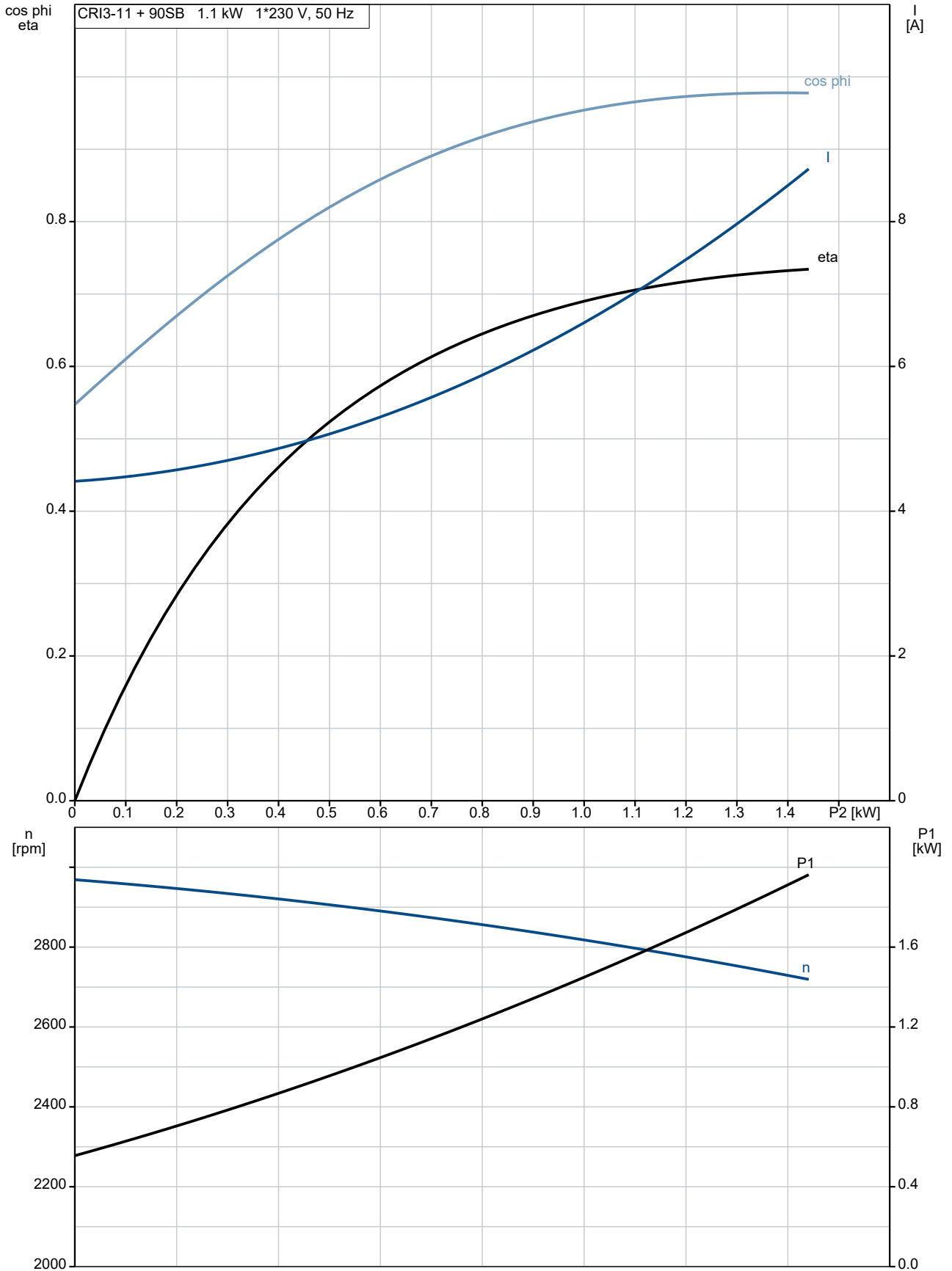
Phone:

Date:

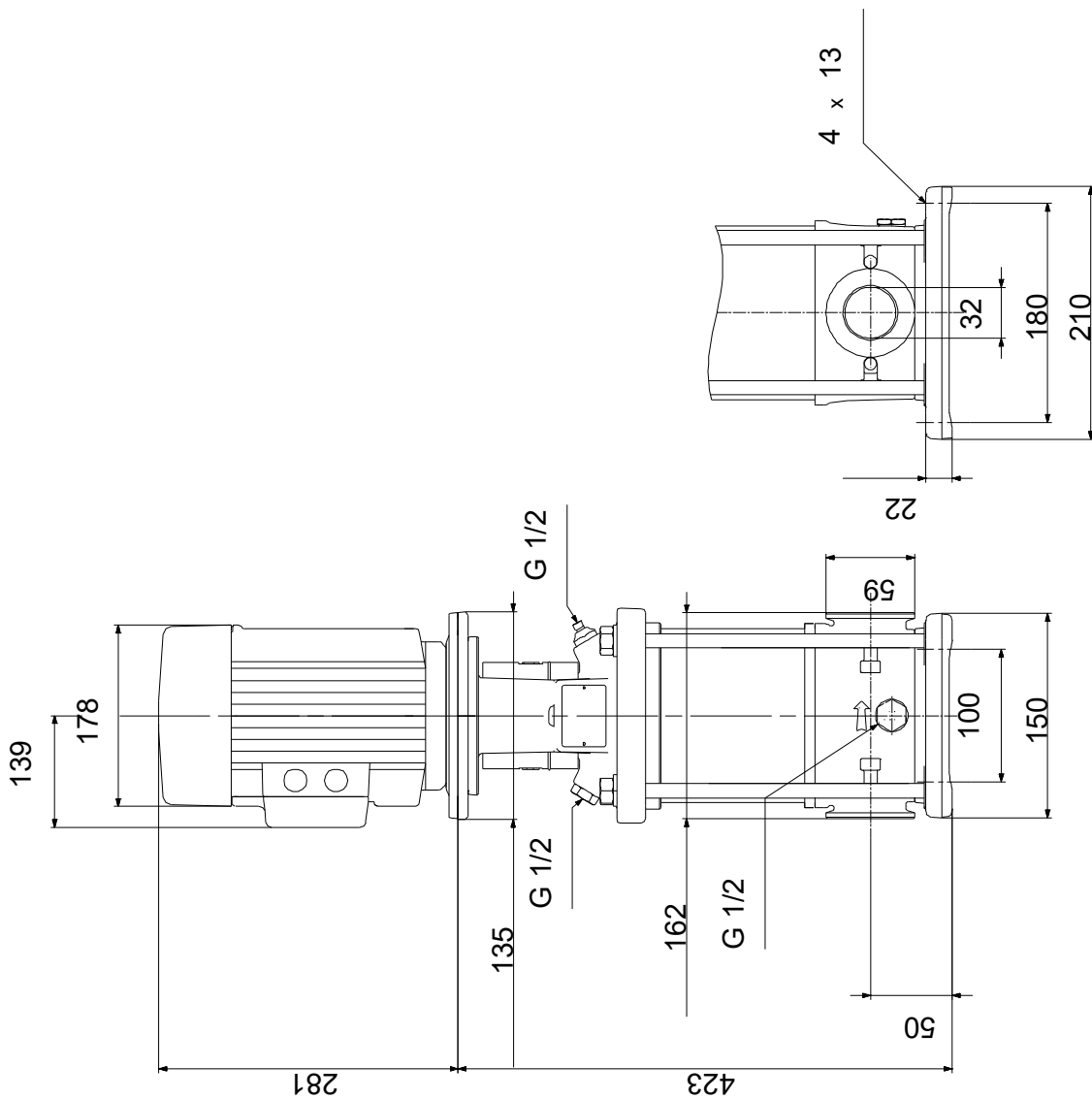
13/07/2021

Description	Value
Cos phi - power factor:	0.98/0.99
Rated speed:	2770 rpm
Motor efficiency at full load:	73-71 %
Number of poles:	2
Enclosure class (IEC 34-5):	55 Dust/Jetting
Insulation class (IEC 85):	F
Motor protec:	PTO
Motor No:	85215705
<b>Controls:</b>	
Frequency converter:	NONE
<b>Others:</b>	
Minimum efficiency index, MEI ≥:	0.70
Net weight:	32.4 kg
Gross weight:	35.2 kg
Shipping volume:	0.074 m <sup>3</sup>
Sales region:	GB

## 96533219 CRI 3-11 A-CA-A-V-HQQV 50 Hz

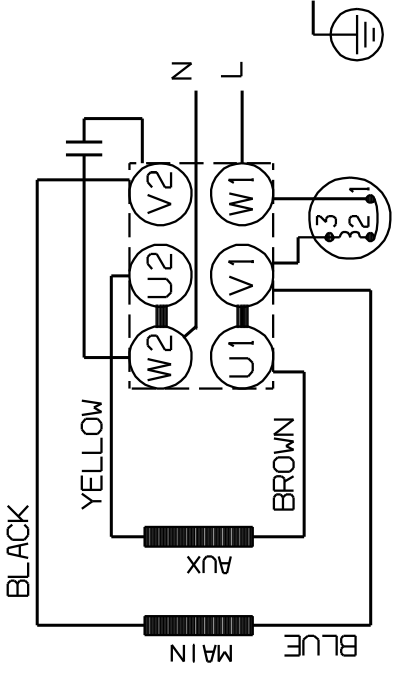
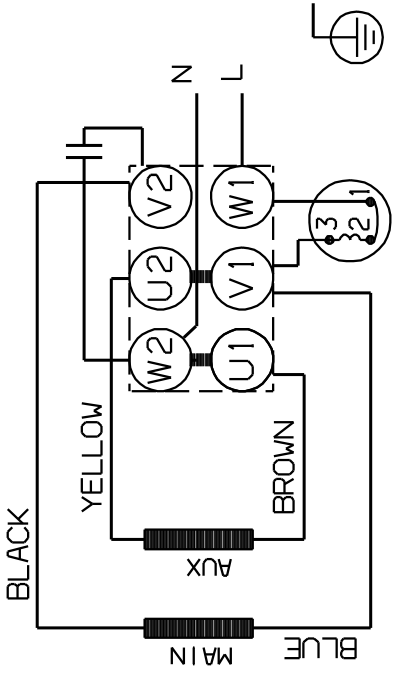
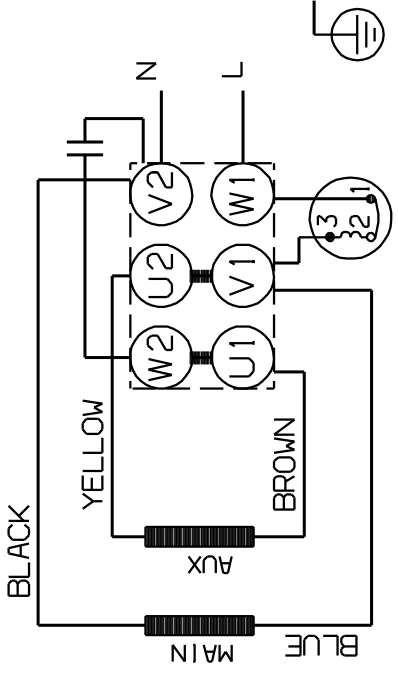
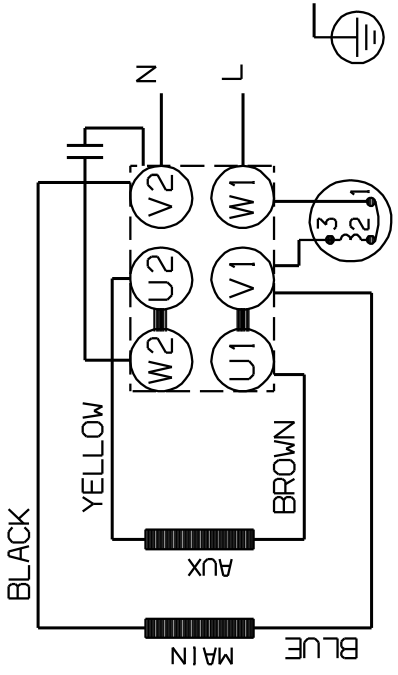


**96533219 CRI 3-11 A-CA-A-V-HQQV 50 Hz**



Note! All units are in [mm] unless others are stated.  
Disclaimer: This simplified dimensional drawing does not show all details.

## 96533219 CRI 3-11 A-CA-A-V-HQQV 50 Hz

DIRECTION OF ROTATION	
DIRECTION OF ROTATION	
	
	

Note! All units are in [mm] unless others are stated.