


Qty.	Description
1	<p data-bbox="199 336 478 369">CRN 1-8 A-P-A-E-HQQE</p>  <p data-bbox="199 660 462 689">Product No.: 96533151</p> <p data-bbox="199 716 1452 824">Vertical, multistage centrifugal pump with inlet and outlet ports on same the level (inline). Pump materials in contact with the liquid are in high-grade stainless steel. A cartridge shaft seal ensures high reliability, safe handling, and easy access and service. Power transmission is via a rigid split coupling. Pipe connection is via PJE (Victaulic®) couplings.</p> <p data-bbox="199 862 933 891">The pump is fitted with a 1-phase, fan-cooled asynchronous motor.</p> <p data-bbox="199 922 311 952">Controls:</p> <p data-bbox="199 952 638 981">Frequency converter: NONE</p> <p data-bbox="199 1012 287 1041">Liquid:</p> <p data-bbox="199 1041 638 1070">Pumped liquid: Water</p> <p data-bbox="199 1070 702 1099">Liquid temperature range: -20 .. 120 °C</p> <p data-bbox="199 1099 686 1128">Liquid temperature during operation: 20 °C</p> <p data-bbox="199 1128 702 1158">Density: 998.2 kg/m³</p> <p data-bbox="199 1189 327 1218">Technical:</p> <p data-bbox="199 1218 821 1247">Pump speed on which pump data are based: 2750 rpm</p> <p data-bbox="199 1247 662 1276">Rated flow: 1.8 m³/h</p> <p data-bbox="199 1276 646 1305">Rated head: 36.9 m</p> <p data-bbox="199 1305 646 1335">Pump orientation: Vertical</p> <p data-bbox="199 1335 638 1364">Shaft seal arrangement: Single</p> <p data-bbox="199 1364 638 1393">Code for shaft seal: HQQE</p> <p data-bbox="199 1393 726 1422">Approvals on nameplate: CE, EAC, ACS</p> <p data-bbox="199 1422 766 1451">Curve tolerance: ISO9906:2012 3B</p> <p data-bbox="199 1482 319 1512">Materials:</p> <p data-bbox="199 1512 726 1601">Base: Stainless steel EN 1.4408 AISI 316</p> <p data-bbox="199 1601 726 1691">Impeller: Stainless steel EN 1.4401 AISI 316</p> <p data-bbox="199 1691 606 1720">Bearing: SIC</p> <p data-bbox="199 1751 343 1780">Installation:</p> <p data-bbox="199 1780 630 1809">Maximum ambient temperature: 40 °C</p> <p data-bbox="199 1809 638 1839">Maximum operating pressure: 25 bar</p> <p data-bbox="199 1839 742 1904">Max pressure at stated temp: 25 bar / 120 °C 25 bar / -20 °C</p> <p data-bbox="199 1904 614 1933">Type of connection: PJE</p> <p data-bbox="199 1933 678 1998">Size of inlet connection: DN 32 1 1/4 inch</p> <p data-bbox="199 1998 678 2063">Size of outlet connection: DN 32 1 1/4 inch</p> <p data-bbox="199 2063 686 2092">Pressure rating for pipe connection: PN 50</p> <p data-bbox="199 2092 638 2121">Flange size for motor: FT100</p>

Qty.	Description
------	-------------

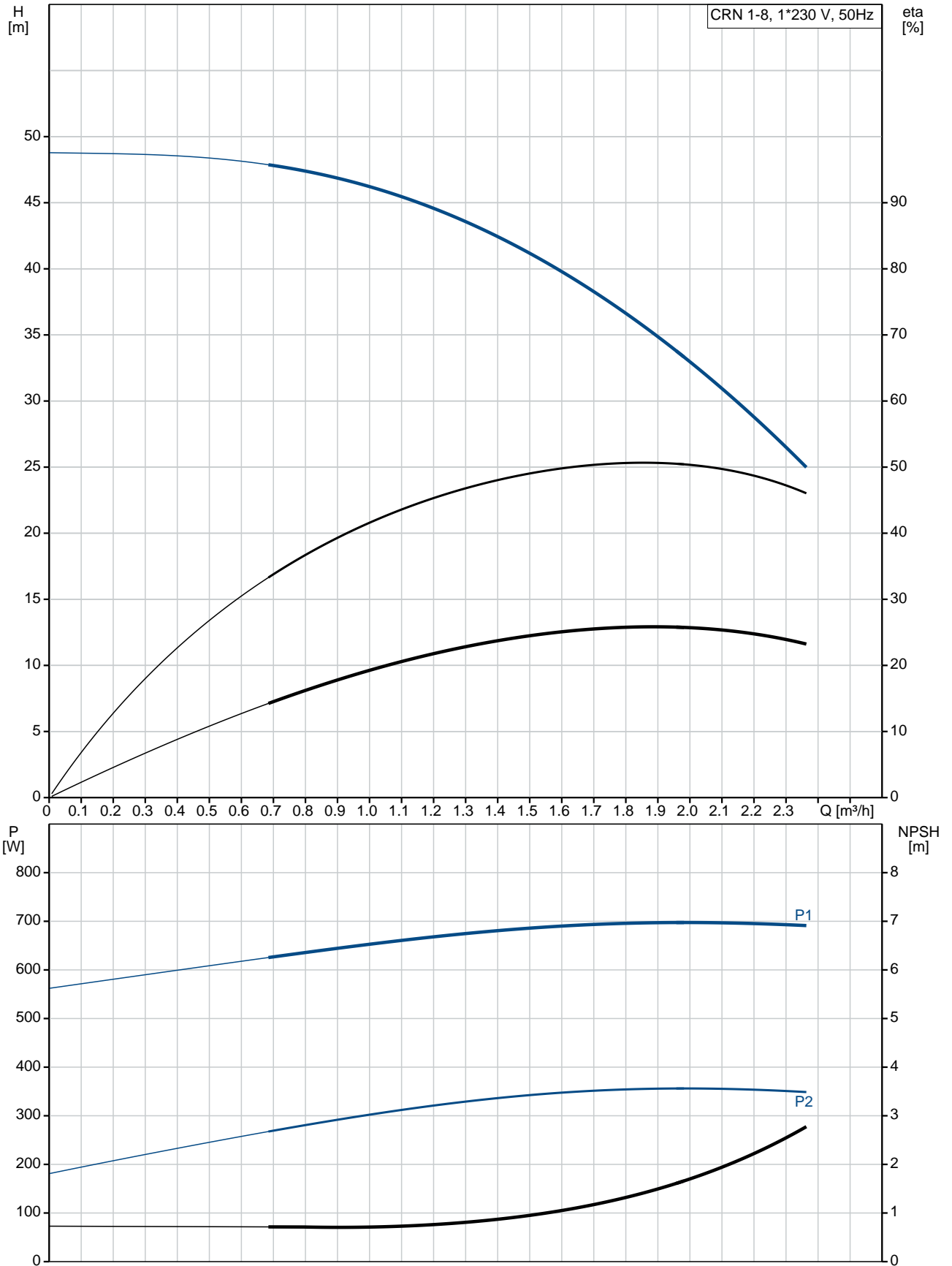
Electrical data:

Motor standard:	IEC
Motor type:	80A
Rated power - P2:	0.55 kW
Power (P2) required by pump:	0.55 kW
Mains frequency:	50 Hz
Rated voltage:	1 x 220-230/240 V
Rated current:	4.00/3.65 A
Starting current:	280 %
Cos phi - power factor:	0.99
Rated speed:	2750 rpm
Motor efficiency at full load:	66-64 %
Number of poles:	2
Enclosure class (IEC 34-5):	55 Dust/Jetting
Insulation class (IEC 85):	F

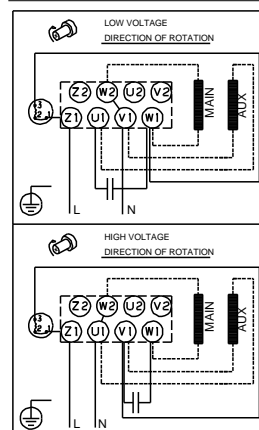
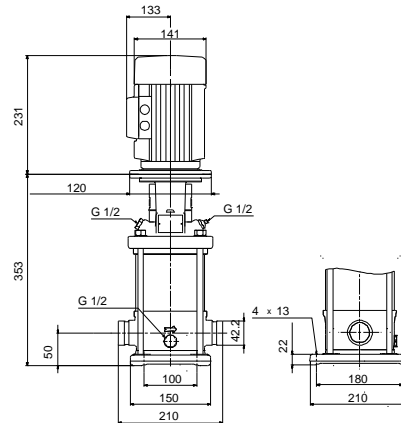
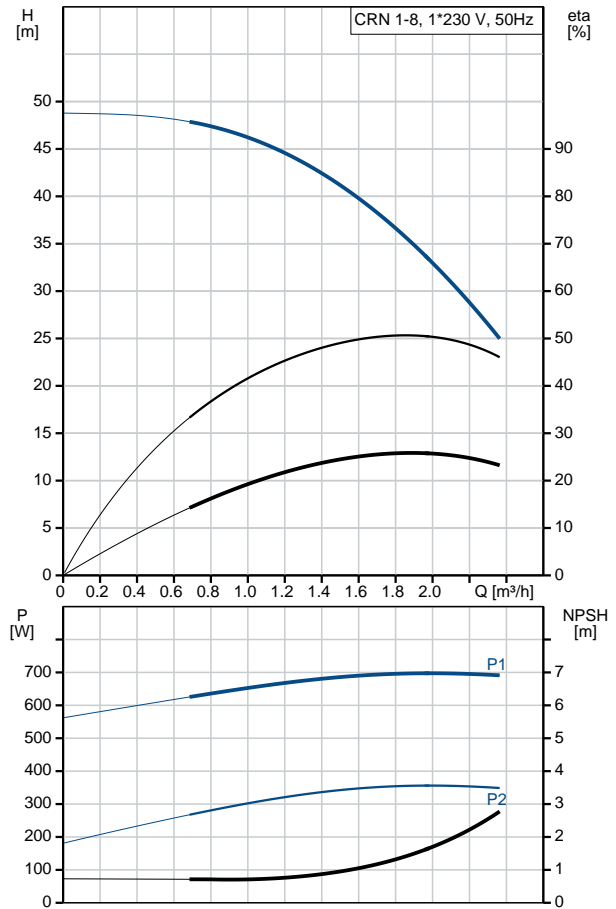
Others:

Minimum efficiency index, MEI η_{min} :	0.70
Net weight:	21.6 kg
Gross weight:	24.4 kg
Shipping volume:	0.063 m ³
Country of origin:	GB
Custom tariff no.:	84137075

96533151 CRN 1-8 A-P-A-E-HQQE 50 Hz



Description	Value
General information:	
Product name:	CRN 1-8 A-P-A-E-HQQE
Product No:	96533151
EAN number:	5700397428382
Price:	903,00 GBP
Technical:	
Pump speed on which pump data are based:	2750 rpm
Rated flow:	1.8 m³/h
Rated head:	36.9 m
Head max:	49.2 m
Stages:	8
Impellers:	8
Number of reduced-diameter impellers:	0
Low NPSH:	N
Pump orientation:	Vertical
Shaft seal arrangement:	Single
Code for shaft seal:	HQQE
Approvals on nameplate:	CE, EAC, ACS
Curve tolerance:	ISO9906:2012 3B
Pump version:	A
Model:	A
Materials:	
Base:	Stainless steel EN 1.4408 AISI 316
Impeller:	Stainless steel EN 1.4401 AISI 316
Material code:	A
Code for rubber:	E
Bearing:	SIC
Installation:	
Maximum ambient temperature:	40 °C
Maximum operating pressure:	25 bar
Max pressure at stated temp:	25 bar / 120 °C 25 bar / -20 °C
Type of connection:	PJE
Size of inlet connection:	DN 32 1 1/4 inch
Size of outlet connection:	DN 32 1 1/4 inch
Pressure rating for pipe connection:	PN 50
Flange size for motor:	FT100
Connect code:	P
Liquid:	
Pumped liquid:	Water
Liquid temperature range:	-20 .. 120 °C
Liquid temperature during operation:	20 °C
Density:	998.2 kg/m³
Electrical data:	
Motor standard:	IEC
Motor type:	80A
Rated power - P2:	0.55 kW
Power (P2) required by pump:	0.55 kW
Mains frequency:	50 Hz
Rated voltage:	1 x 220-230/240 V
Rated current:	4.00/3.65 A





Company name:

Created by:

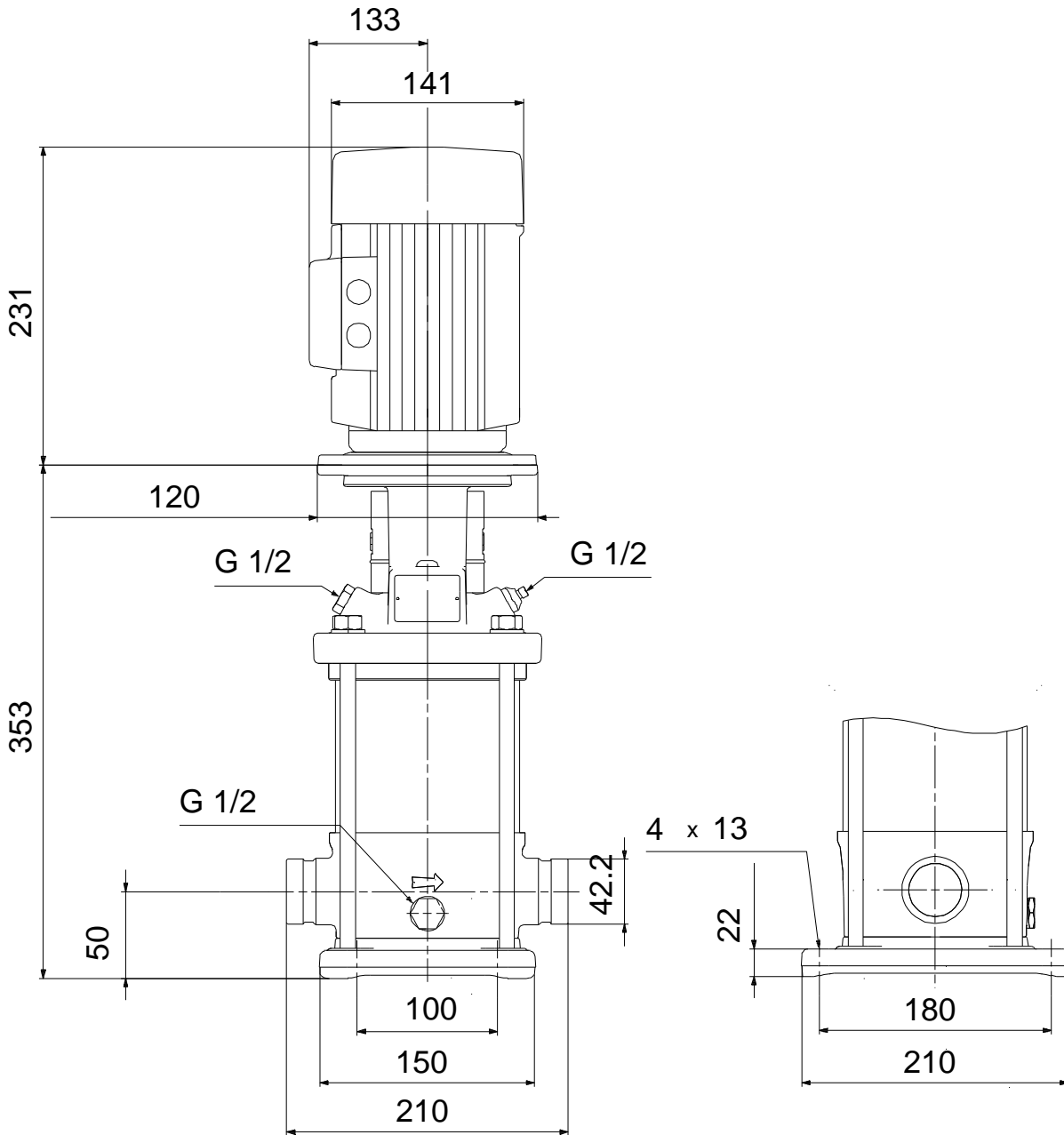
Phone:

Date:

07/03/2019

Description	Value
Starting current:	280 %
Cos phi - power factor:	0.99
Rated speed:	2750 rpm
Motor efficiency at full load:	66-64 %
Number of poles:	2
Enclosure class (IEC 34-5):	55 Dust/Jetting
Insulation class (IEC 85):	F
Motor protec:	PTO
Motor No:	85215103
Controls:	
Frequency converter:	NONE
Others:	
Minimum efficiency index, MEI %:	0.70
Net weight:	21.6 kg
Gross weight:	24.4 kg
Shipping volume:	0.063 m ³
Sales region:	GB
Country of origin:	GB
Custom tariff no.:	84137075

96533151 CRN 1-8 A-P-A-E-HQQE 50 Hz



Note! All units are in [mm] unless others are stated.
Disclaimer: This simplified dimensional drawing does not show all details.