


Qty.	Description
1	<p data-bbox="199 340 486 369">CRN 1-4 A-P-A-E-HQQE</p>  <p data-bbox="199 663 470 692">Product No.: 96533146</p> <p data-bbox="199 723 1460 824">Vertical, multistage centrifugal pump with inlet and outlet ports on same the level (inline). Pump materials in contact with the liquid are in high-grade stainless steel. A cartridge shaft seal ensures high reliability, safe handling, and easy access and service. Power transmission is via a rigid split coupling. Pipe connection is via PJE (Victaulic®) couplings.</p> <p data-bbox="199 864 933 893">The pump is fitted with a 1-phase, fan-cooled asynchronous motor.</p> <p data-bbox="199 925 311 954">Controls:</p> <p data-bbox="199 954 638 983">Frequency converter: NONE</p> <p data-bbox="199 1014 287 1043">Liquid:</p> <p data-bbox="199 1043 638 1072">Pumped liquid: Water</p> <p data-bbox="199 1072 710 1102">Liquid temperature range: -20 .. 120 °C</p> <p data-bbox="199 1102 686 1131">Liquid temperature during operation: 20 °C</p> <p data-bbox="199 1131 702 1160">Density: 998.2 kg/m³</p> <p data-bbox="199 1191 327 1220">Technical:</p> <p data-bbox="199 1220 821 1249">Pump speed on which pump data are based: 2757 rpm</p> <p data-bbox="199 1249 662 1279">Rated flow: 1.8 m³/h</p> <p data-bbox="199 1279 646 1308">Rated head: 19.8 m</p> <p data-bbox="199 1308 646 1337">Pump orientation: Vertical</p> <p data-bbox="199 1337 638 1366">Shaft seal arrangement: Single</p> <p data-bbox="199 1366 638 1395">Code for shaft seal: HQQE</p> <p data-bbox="199 1395 726 1424">Approvals on nameplate: CE, EAC, ACS</p> <p data-bbox="199 1424 766 1453">Curve tolerance: ISO9906:2012 3B</p> <p data-bbox="199 1485 319 1514">Materials:</p> <p data-bbox="199 1514 726 1603">Base: Stainless steel EN 1.4408 AISI 316</p> <p data-bbox="199 1603 726 1693">Impeller: Stainless steel EN 1.4401 AISI 316</p> <p data-bbox="199 1693 606 1722">Bearing: SIC</p> <p data-bbox="199 1753 343 1783">Installation:</p> <p data-bbox="199 1783 630 1812">Maximum ambient temperature: 40 °C</p> <p data-bbox="199 1812 638 1841">Maximum operating pressure: 25 bar</p> <p data-bbox="199 1841 742 1908">Max pressure at stated temp: 25 bar / 120 °C 25 bar / -20 °C</p> <p data-bbox="199 1908 614 1937">Type of connection: PJE</p> <p data-bbox="199 1937 678 2004">Size of inlet connection: DN 32 1 1/4 inch</p> <p data-bbox="199 2004 678 2072">Size of outlet connection: DN 32 1 1/4 inch</p> <p data-bbox="199 2072 686 2101">Pressure rating for pipe connection: PN 50</p> <p data-bbox="199 2101 630 2130">Flange size for motor: FT85</p>

Qty.	Description
------	-------------

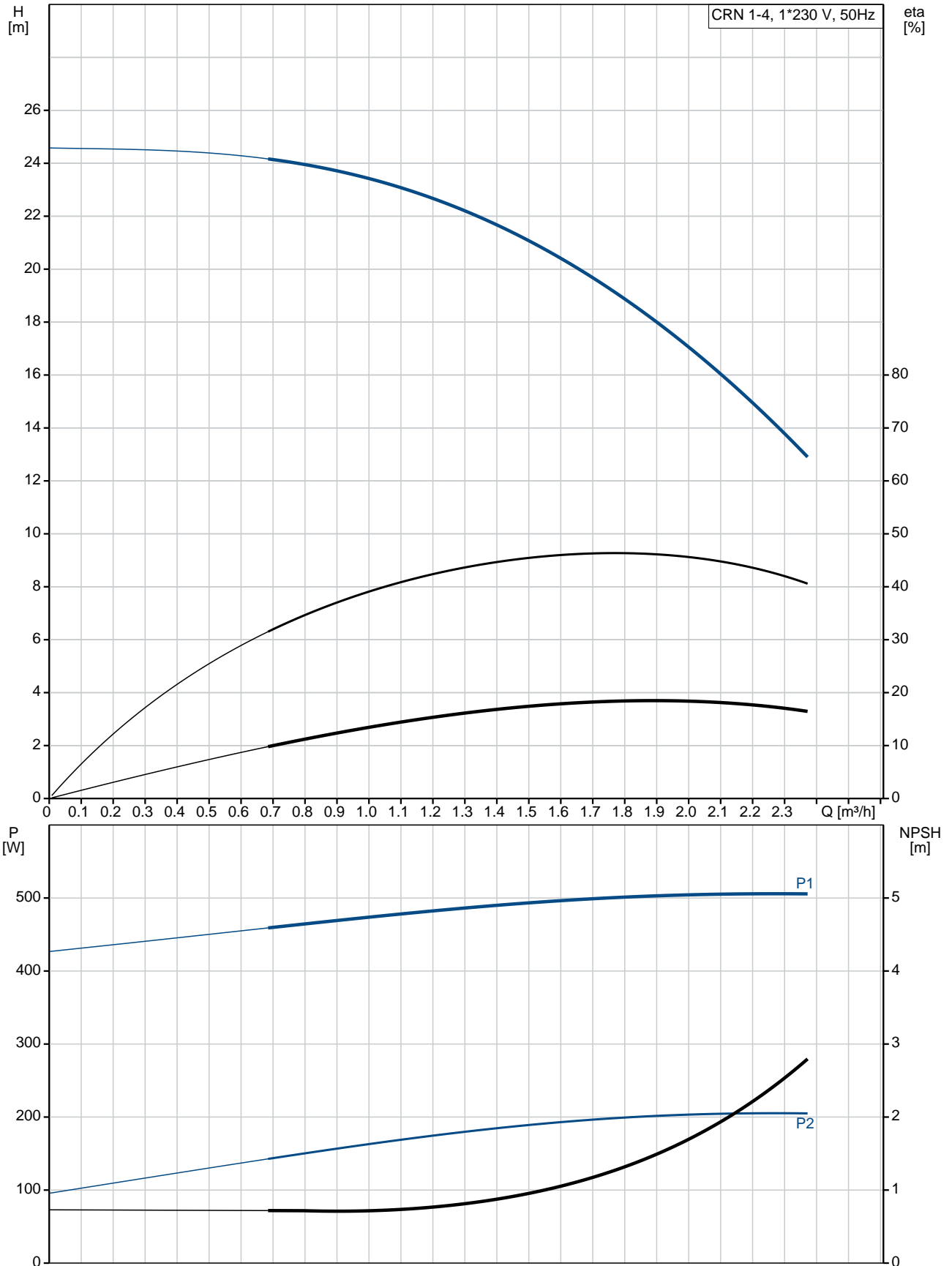
Electrical data:

Motor standard:	IEC
Motor type:	71B
Rated power - P2:	0.37 kW
Power (P2) required by pump:	0.37 kW
Mains frequency:	50 Hz
Rated voltage:	1 x 220-230/240 V
Rated current:	2.95/2.70 A
Starting current:	280 %
Cos phi - power factor:	0.99
Rated speed:	2770 rpm
Motor efficiency at full load:	60.0-56.0 %
Number of poles:	2
Enclosure class (IEC 34-5):	55 Dust/Jetting
Insulation class (IEC 85):	F

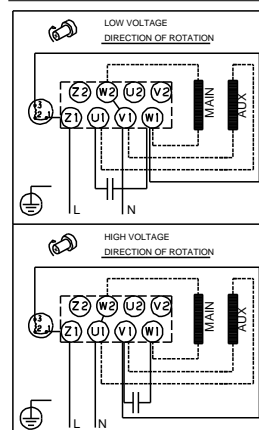
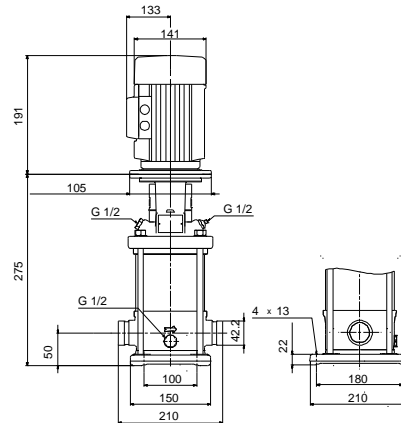
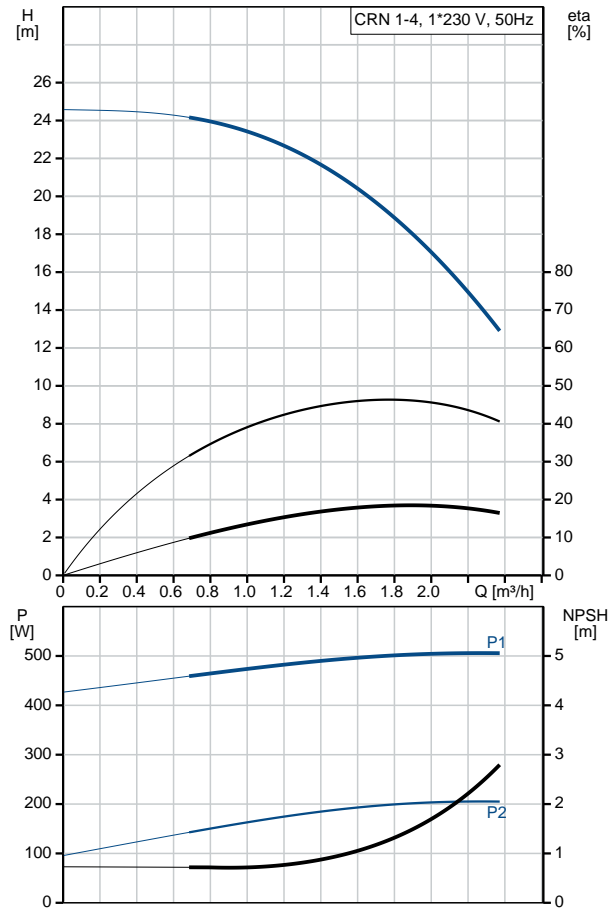
Others:

Minimum efficiency index, MEI η_{min} :	0.70
Net weight:	17.7 kg
Gross weight:	20.3 kg
Shipping volume:	0.054 m ³
Country of origin:	GB
Custom tariff no.:	84137075

96533146 CRN 1-4 A-P-A-E-HQQE 50 Hz



Description	Value
General information:	
Product name:	CRN 1-4 A-P-A-E-HQQE
Product No:	96533146
EAN number:	5700397428344
Price:	794,00 GBP
Technical:	
Pump speed on which pump data are based:	2757 rpm
Rated flow:	1.8 m ³ /h
Rated head:	19.8 m
Head max:	25.2 m
Stages:	4
Impellers:	4
Number of reduced-diameter impellers:	0
Low NPSH:	N
Pump orientation:	Vertical
Shaft seal arrangement:	Single
Code for shaft seal:	HQQE
Approvals on nameplate:	CE, EAC, ACS
Curve tolerance:	ISO9906:2012 3B
Pump version:	A
Model:	A
Materials:	
Base:	Stainless steel EN 1.4408 AISI 316
Impeller:	Stainless steel EN 1.4401 AISI 316
Material code:	A
Code for rubber:	E
Bearing:	SIC
Installation:	
Maximum ambient temperature:	40 °C
Maximum operating pressure:	25 bar
Max pressure at stated temp:	25 bar / 120 °C 25 bar / -20 °C
Type of connection:	PJE
Size of inlet connection:	DN 32 1 1/4 inch
Size of outlet connection:	DN 32 1 1/4 inch
Pressure rating for pipe connection:	PN 50
Flange size for motor:	FT85
Connect code:	P
Liquid:	
Pumped liquid:	Water
Liquid temperature range:	-20 .. 120 °C
Liquid temperature during operation:	20 °C
Density:	998.2 kg/m ³
Electrical data:	
Motor standard:	IEC
Motor type:	71B
Rated power - P2:	0.37 kW
Power (P2) required by pump:	0.37 kW
Mains frequency:	50 Hz
Rated voltage:	1 x 220-230/240 V
Rated current:	2.95/2.70 A





Company name:

Created by:

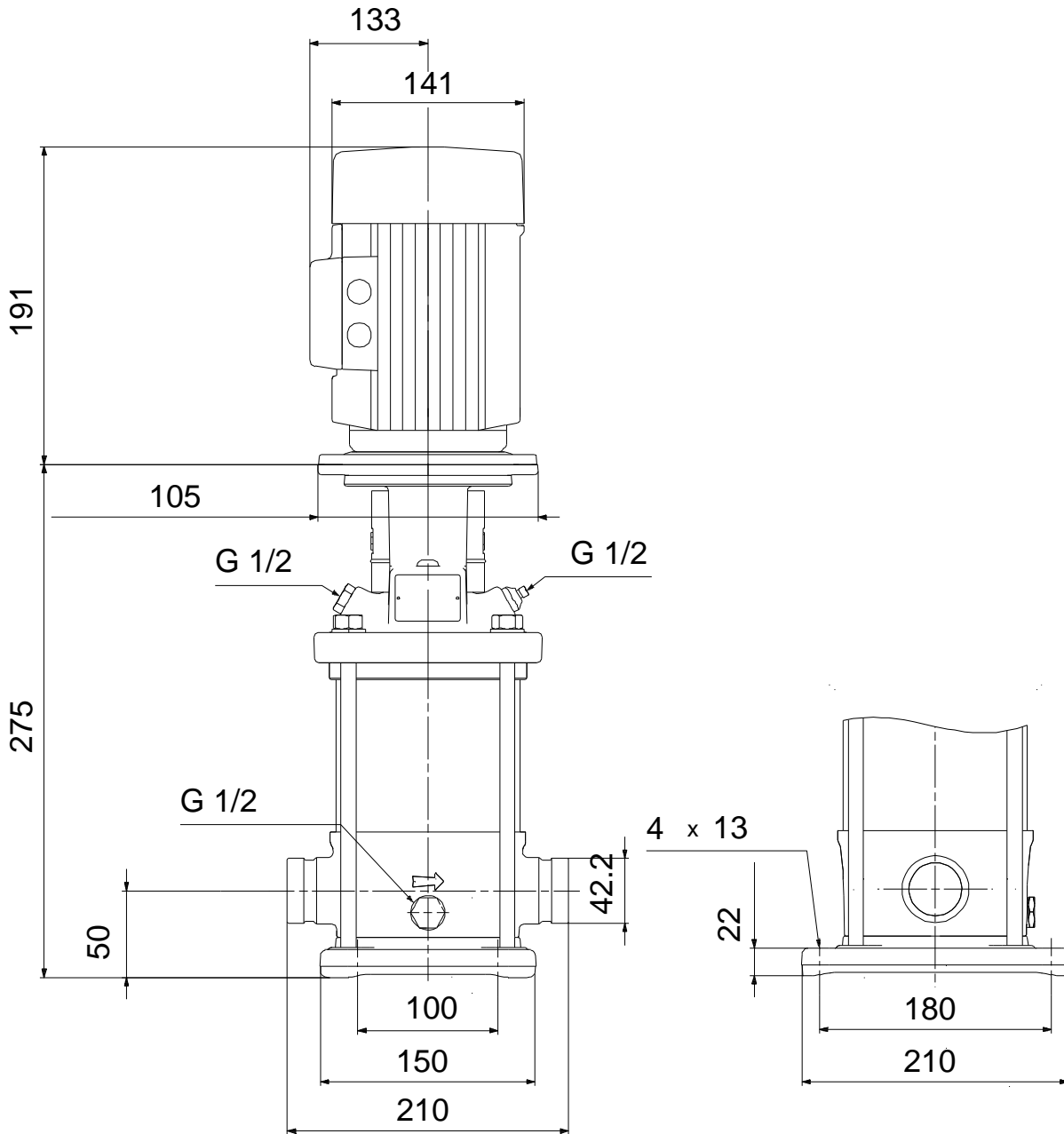
Phone:

Date:

07/03/2019

Description	Value
Starting current:	280 %
Cos phi - power factor:	0.99
Rated speed:	2770 rpm
Motor efficiency at full load:	60.0-56.0 %
Number of poles:	2
Enclosure class (IEC 34-5):	55 Dust/Jetting
Insulation class (IEC 85):	F
Motor protec:	PTO
Motor No:	85215102
Controls:	
Frequency converter:	NONE
Others:	
Minimum efficiency index, MEI %:	0.70
Net weight:	17.7 kg
Gross weight:	20.3 kg
Shipping volume:	0.054 m ³
Sales region:	GB
Country of origin:	GB
Custom tariff no.:	84137075

96533146 CRN 1-4 A-P-A-E-HQQE 50 Hz



Note! All units are in [mm] unless others are stated.
Disclaimer: This simplified dimensional drawing does not show all details.