
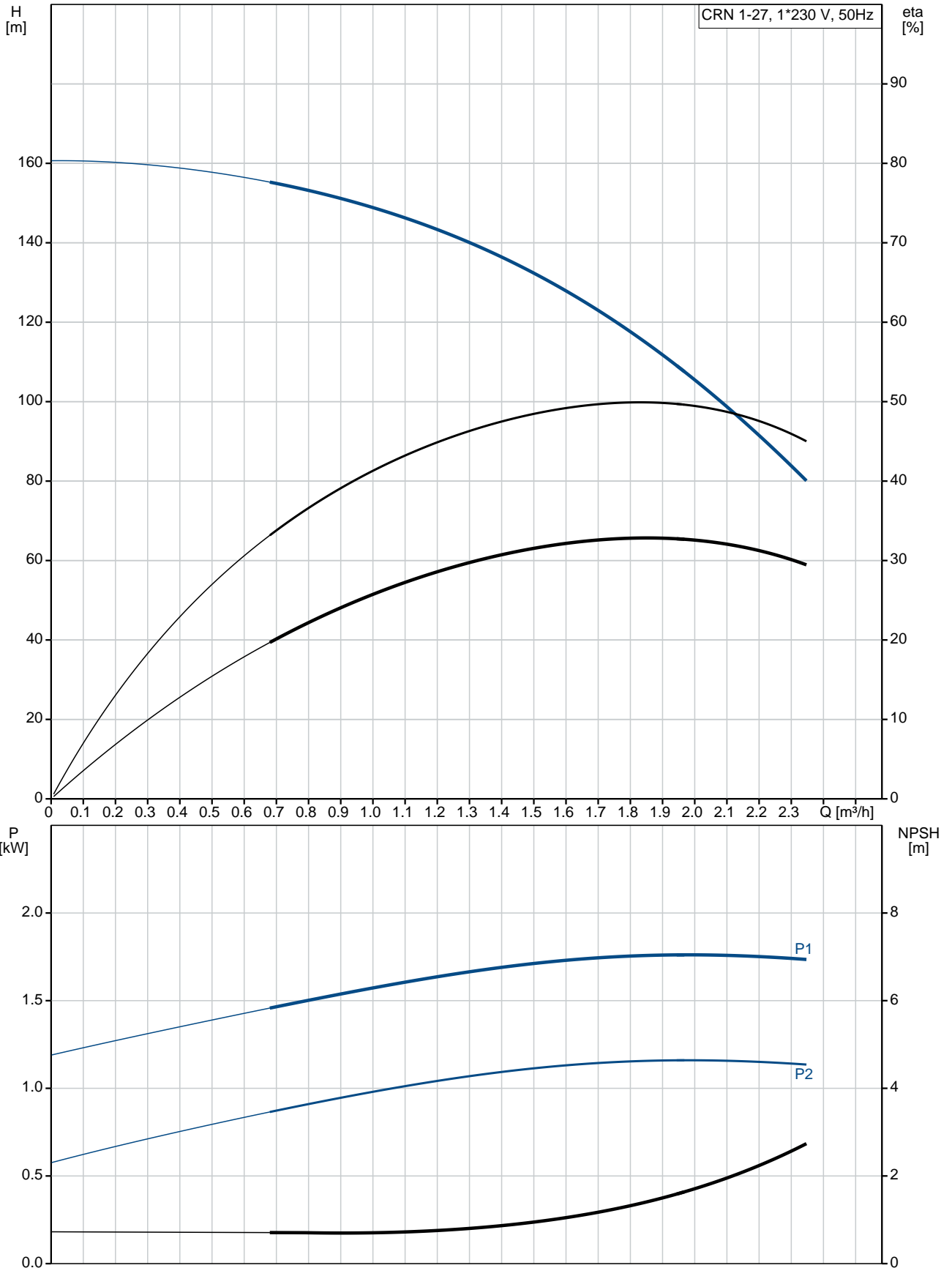


Qty.	Description
1	<p data-bbox="199 340 526 362">CRN 1-27 A-FGJ-H-E-HQQE</p>  <p data-bbox="199 660 470 683">Product No.: 96533102</p> <p data-bbox="199 721 1404 817">Vertical, multistage centrifugal pump with inlet and outlet ports on same the level (inline). Pump materials in contact with the liquid are in high-grade stainless steel. A cartridge shaft seal ensures high reliability, safe handling, and easy access and service. Power transmission is via a rigid split coupling. Pipe connection is via combined DIN-ANSI-JIS flanges.</p> <p data-bbox="199 862 933 884">The pump is fitted with a 1-phase, fan-cooled asynchronous motor.</p> <p data-bbox="199 922 311 945">Controls:</p> <p data-bbox="199 952 638 974">Frequency converter: NONE</p> <p data-bbox="199 1012 287 1034">Liquid:</p> <p data-bbox="199 1041 638 1064">Pumped liquid: Water</p> <p data-bbox="199 1070 710 1093">Liquid temperature range: -20 .. 120 °C</p> <p data-bbox="199 1099 686 1122">Liquid temperature during operation: 20 °C</p> <p data-bbox="199 1128 702 1151">Density: 998.2 kg/m³</p> <p data-bbox="199 1189 327 1211">Technical:</p> <p data-bbox="199 1218 821 1240">Pump speed on which pump data are based: 2767 rpm</p> <p data-bbox="199 1247 662 1270">Rated flow: 1.8 m³/h</p> <p data-bbox="199 1276 662 1299">Rated head: 117.8 m</p> <p data-bbox="199 1305 654 1328">Pump orientation: Vertical</p> <p data-bbox="199 1335 638 1357">Shaft seal arrangement: Single</p> <p data-bbox="199 1364 638 1386">Code for shaft seal: HQQE</p> <p data-bbox="199 1393 726 1415">Approvals on nameplate: CE, EAC,ACS</p> <p data-bbox="199 1422 766 1444">Curve tolerance: ISO9906:2012 3B</p> <p data-bbox="199 1482 319 1505">Materials:</p> <p data-bbox="199 1512 726 1601">Base: Stainless steel EN 1.4408 AISI 316</p> <p data-bbox="199 1608 726 1697">Impeller: Stainless steel EN 1.4401 AISI 316</p> <p data-bbox="199 1704 606 1727">Bearing: SIC</p> <p data-bbox="199 1765 343 1787">Installation:</p> <p data-bbox="199 1794 630 1816">Maximum ambient temperature: 40 °C</p> <p data-bbox="199 1823 638 1845">Maximum operating pressure: 25 bar</p> <p data-bbox="199 1852 742 1897">Max pressure at stated temp: 25 bar / 120 °C 25 bar / -20 °C</p> <p data-bbox="199 1904 742 1926">Type of connection: DIN / ANSI / JIS</p> <p data-bbox="199 1933 678 2000">Size of inlet connection: DN 25/32 1 1/4 inch</p> <p data-bbox="199 2007 678 2074">Size of outlet connection: DN 25/32 1 1/4 inch</p> <p data-bbox="199 2080 686 2103">Pressure rating for pipe connection: PN 25</p> <p data-bbox="199 2110 638 2132">Flange rating inlet: 300 lb</p>

Qty.	Description
	<p>Flange size for motor: FT115</p> <p>Electrical data:</p> <p>Motor standard: IEC</p> <p>Motor type: 90LB</p> <p>Rated power - P2: 1.5 kW</p> <p>Power (P2) required by pump: 1.5 kW</p> <p>Mains frequency: 50 Hz</p> <p>Rated voltage: 1 x 220-230/240 V</p> <p>Rated current: 9.90/8.90 A</p> <p>Starting current: 390 %</p> <p>Cos phi - power factor: 0.98/0.99</p> <p>Rated speed: 2750/2740 rpm</p> <p>Motor efficiency at full load: 72-70 %</p> <p>Number of poles: 2</p> <p>Enclosure class (IEC 34-5): 55 Dust/Jetting</p> <p>Insulation class (IEC 85): F</p> <p>Others:</p> <p>Minimum efficiency index, MEI η_{min}: 0.70</p> <p>Net weight: 42.1 kg</p> <p>Gross weight: 45 kg</p> <p>Shipping volume: 0.13 m³</p> <p>Country of origin: GB</p> <p>Custom tariff no.: 84137075</p>

96533102 CRN 1-27 A-FGJ-H-E-HQQE 50 Hz



Description	Value
-------------	-------

General information:

Product name: CRN 1-27
A-FGJ-H-E-HQQE

Product No: 96533102

EAN number: 5700397424445

Price: 2.062,00 GBP

Technical:

Pump speed on which pump data are based: 2767 rpm

Rated flow: 1.8 m³/h

Rated head: 117.8 m

Head max: 163.2 m

Stages: 27

Impellers: 27

Number of reduced-diameter impellers: 0

Low NPSH: N

Pump orientation: Vertical

Shaft seal arrangement: Single

Code for shaft seal: HQQE

Approvals on nameplate: CE, EAC, ACS

Curve tolerance: ISO9906:2012 3B

Pump version: A

Model: A

Materials:

Base: Stainless steel
EN 1.4408
AISI 316

Impeller: Stainless steel
EN 1.4401
AISI 316

Material code: H

Code for rubber: E

Bearing: SIC

Installation:

Maximum ambient temperature: 40 °C

Maximum operating pressure: 25 bar

Max pressure at stated temp: 25 bar / 120 °C
25 bar / -20 °C

Type of connection: DIN / ANSI / JIS

Size of inlet connection: DN 25/32
1 1/4 inch

Size of outlet connection: DN 25/32
1 1/4 inch

Pressure rating for pipe connection: PN 25

Flange rating inlet: 300 lb

Flange size for motor: FT115

Connect code: FGJ

Liquid:

Pumped liquid: Water

Liquid temperature range: -20 .. 120 °C

Liquid temperature during operation: 20 °C

Density: 998.2 kg/m³

Electrical data:

Motor standard: IEC

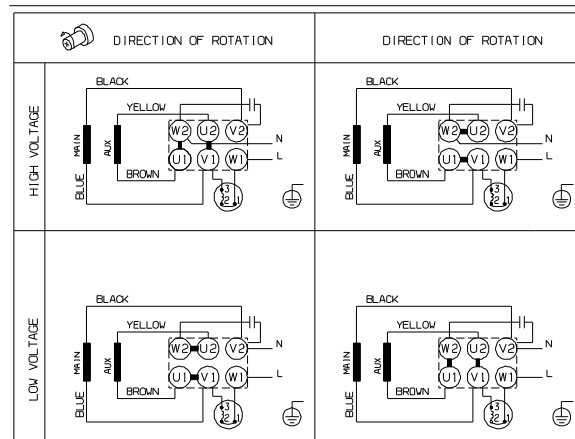
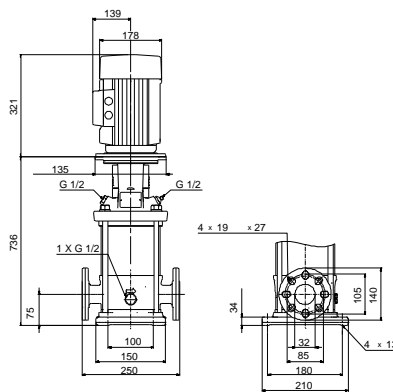
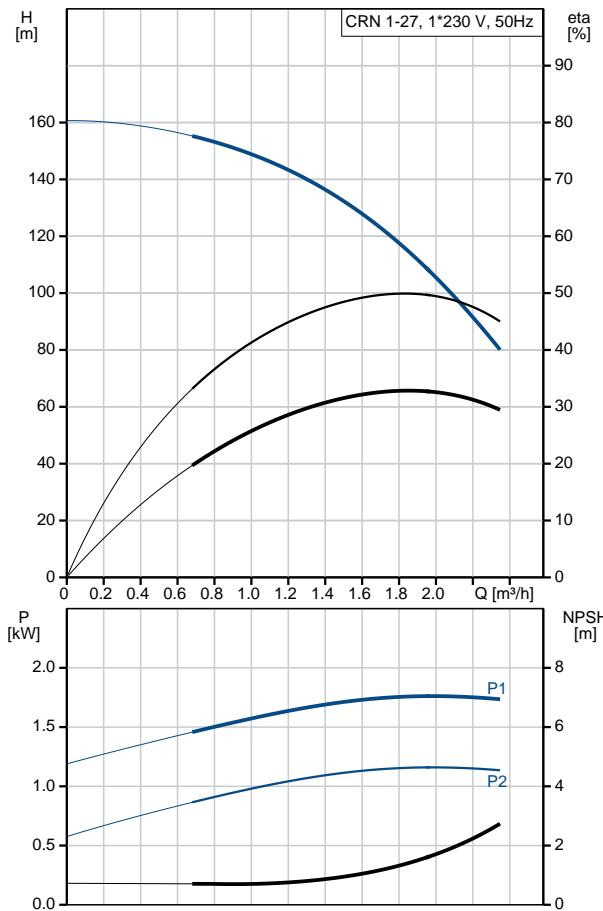
Motor type: 90LB

Rated power - P2: 1.5 kW

Power (P2) required by pump: 1.5 kW

Mains frequency: 50 Hz

Rated voltage: 1 x 220-230/240 V





Company name:

Created by:

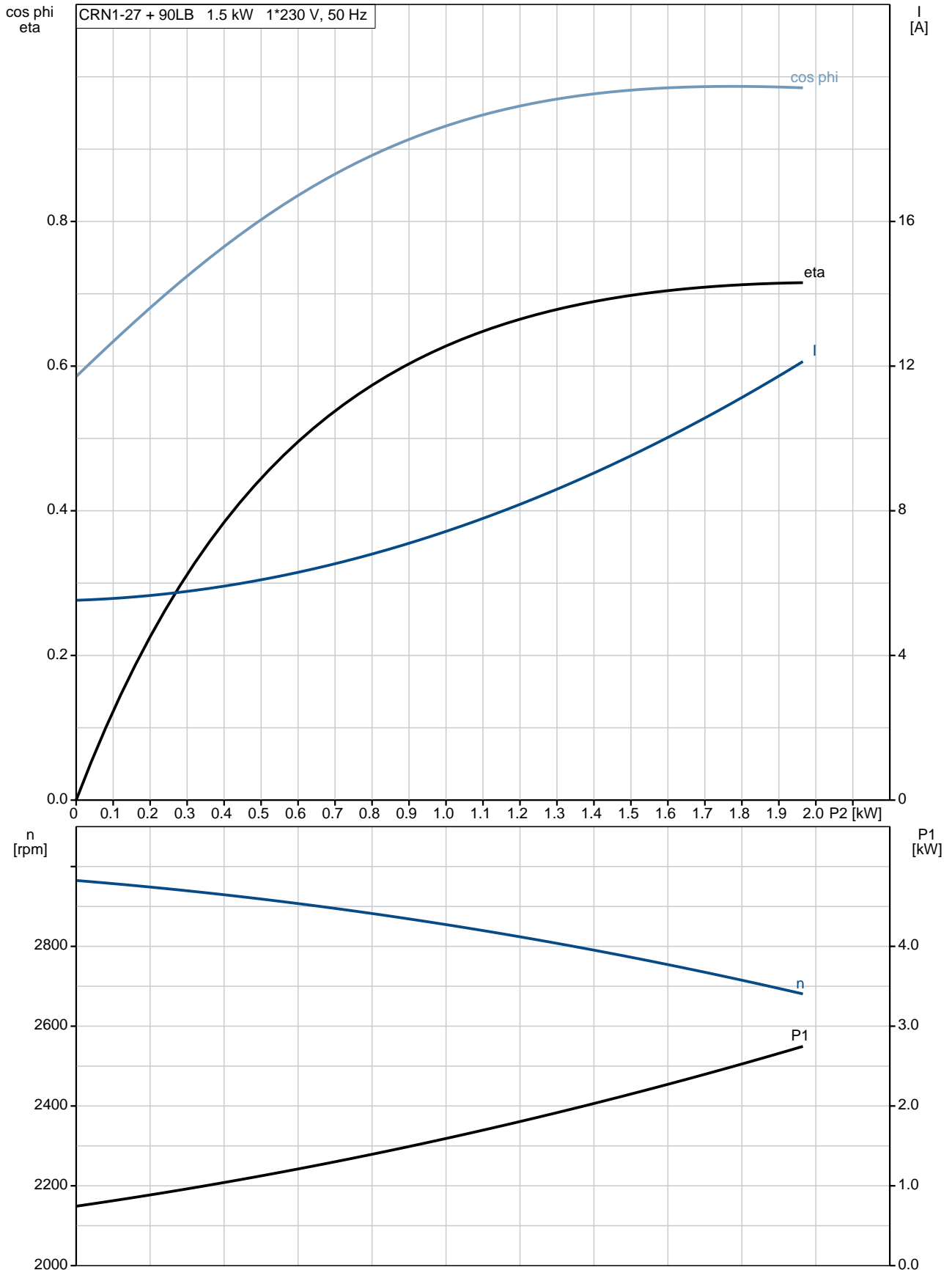
Phone:

Date:

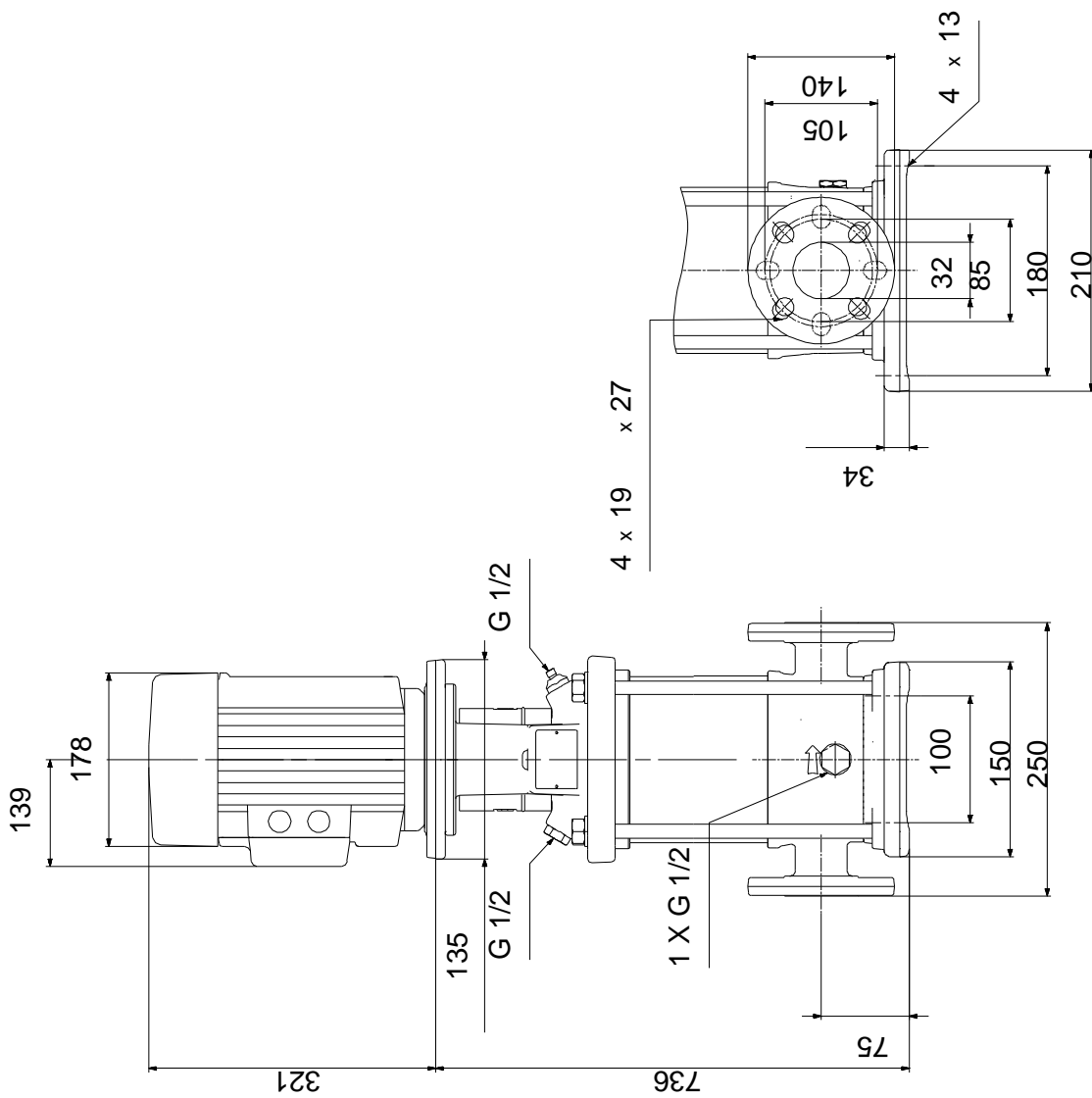
07/03/2019

Description	Value
Rated current:	9.90/8.90 A
Starting current:	390 %
Cos phi - power factor:	0.98/0.99
Rated speed:	2750/2740 rpm
Motor efficiency at full load:	72-70 %
Number of poles:	2
Enclosure class (IEC 34-5):	55 Dust/Jetting
Insulation class (IEC 85):	F
Motor protec:	PTO
Motor No:	85215706
Controls:	
Frequency converter:	NONE
Others:	
Minimum efficiency index, MEI η %:	0.70
Net weight:	42.1 kg
Gross weight:	45 kg
Shipping volume:	0.13 m ³
Sales region:	Great Britain
Country of origin:	GB
Custom tariff no.:	84137075

96533102 CRN 1-27 A-FGJ-H-E-HQQE 50 Hz



96533102 CRN 1-27 A-FGJ-H-E-HQQE 50 Hz



Note! All units are in [mm] unless others are stated.
 Disclaimer: This simplified dimensional drawing does not show all details.