
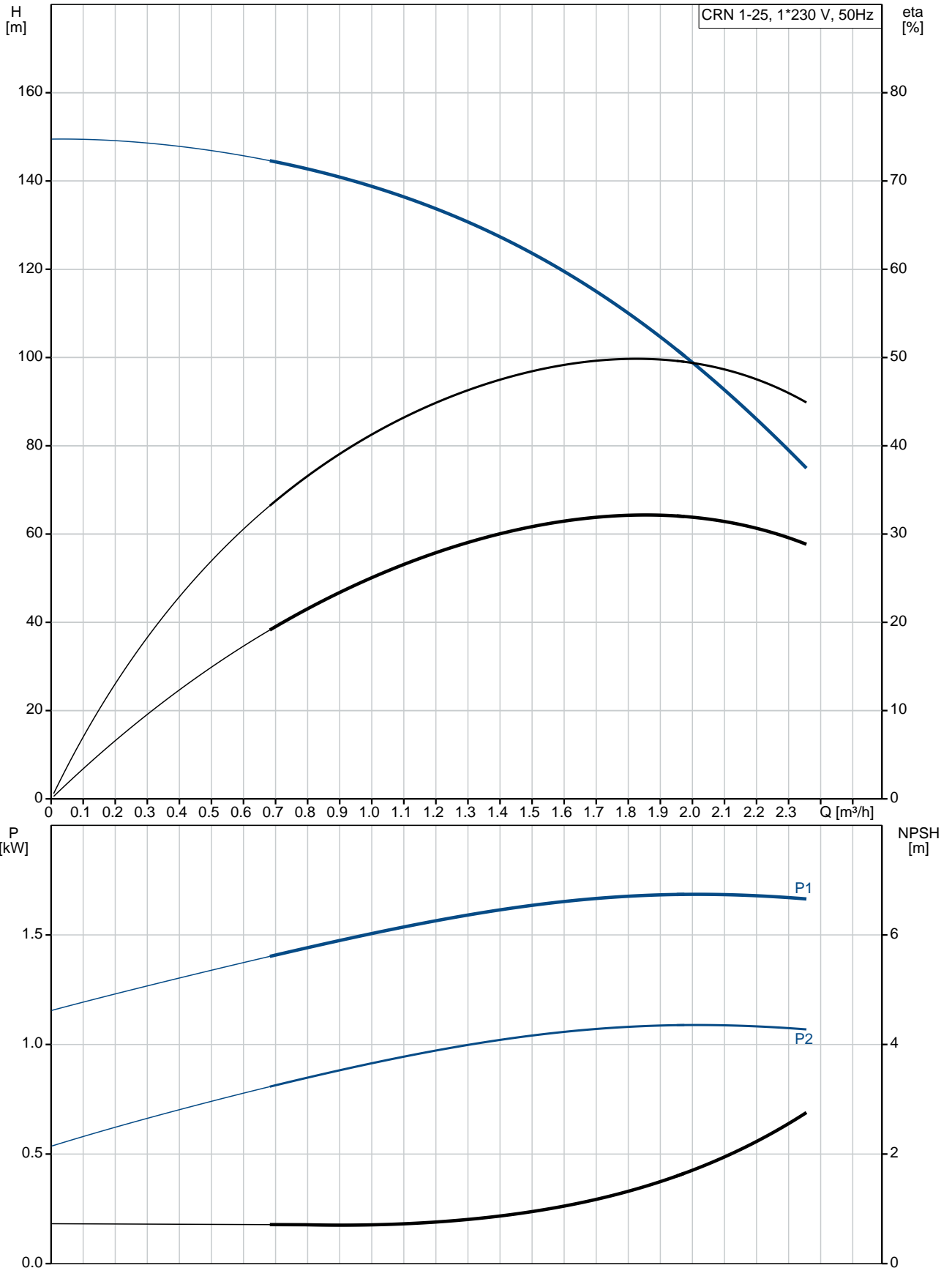


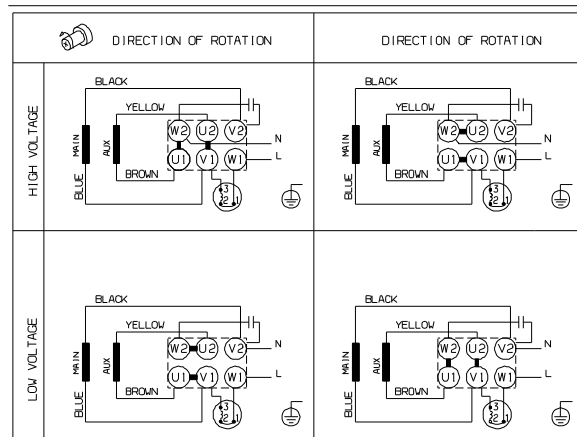
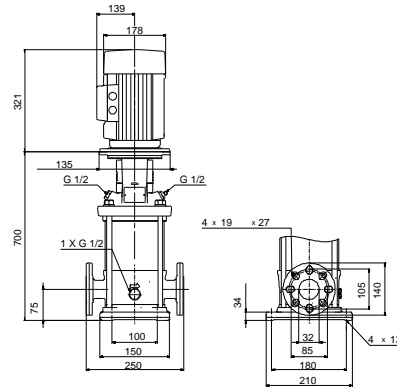
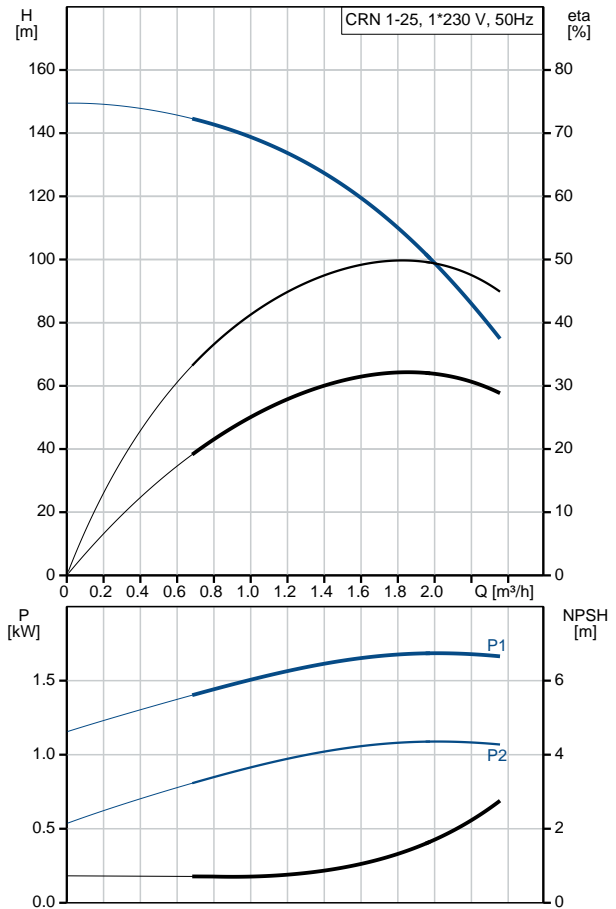
Qty.	Description
1	<p data-bbox="199 338 528 367"><b>CRN 1-25 A-FGJ-H-E-HQQE</b></p>  <p data-bbox="199 660 464 689">Product No.: <a href="#">96533101</a></p> <p data-bbox="199 719 1404 824">Vertical, multistage centrifugal pump with inlet and outlet ports on same the level (inline). Pump materials in contact with the liquid are in high-grade stainless steel. A cartridge shaft seal ensures high reliability, safe handling, and easy access and service. Power transmission is via a rigid split coupling. Pipe connection is via combined DIN-ANSI-JIS flanges.</p> <p data-bbox="199 862 935 891">The pump is fitted with a 1-phase, fan-cooled asynchronous motor.</p> <p data-bbox="199 920 316 949"><b>Controls:</b></p> <p data-bbox="199 952 638 981">Frequency converter: NONE</p> <p data-bbox="199 1010 288 1039"><b>Liquid:</b></p> <p data-bbox="199 1041 707 1160">Pumped liquid: Water Liquid temperature range: -20 .. 120 °C Liquid temperature during operation: 20 °C Density: 998.2 kg/m<sup>3</sup></p> <p data-bbox="199 1189 328 1218"><b>Technical:</b></p> <p data-bbox="199 1220 820 1458">Pump speed on which pump data are based: 2767 rpm Rated flow: 1.8 m<sup>3</sup>/h Rated head: 110.5 m Pump orientation: Vertical Shaft seal arrangement: Single Code for shaft seal: HQQE Approvals on nameplate: CE, EAC,ACS Curve tolerance: ISO9906:2012 3B</p> <p data-bbox="199 1487 320 1516"><b>Materials:</b></p> <p data-bbox="199 1518 727 1722">Base: Stainless steel EN 1.4408 AISI 316 Impeller: Stainless steel EN 1.4401 AISI 316 Bearing: SIC</p> <p data-bbox="199 1751 344 1780"><b>Installation:</b></p> <p data-bbox="199 1783 743 2107">Maximum ambient temperature: 40 °C Maximum operating pressure: 25 bar Max pressure at stated temp: 25 bar / 120 °C 25 bar / -20 °C Type of connection: DIN / ANSI / JIS Size of inlet connection: DN 25/32 1 1/4 inch Size of outlet connection: DN 25/32 1 1/4 inch Pressure rating for pipe connection: PN 25 Flange rating inlet: 300 lb</p>

Qty.	Description
	<p data-bbox="201 338 639 365">Flange size for motor: FT115</p> <p data-bbox="201 398 379 425"><b>Electrical data:</b></p> <p data-bbox="201 427 608 454">Motor standard: IEC</p> <p data-bbox="201 456 624 483">Motor type: 90LB</p> <p data-bbox="201 486 644 512">Rated power - P2: 1.5 kW</p> <p data-bbox="201 515 644 542">Power (P2) required by pump: 1.5 kW</p> <p data-bbox="201 544 632 571">Mains frequency: 50 Hz</p> <p data-bbox="201 573 767 600">Rated voltage: 1 x 220-230/240 V</p> <p data-bbox="201 602 692 629">Rated current: 9.90/8.90 A</p> <p data-bbox="201 631 636 658">Starting current: 390 %</p> <p data-bbox="201 660 671 687">Cos phi - power factor: 0.98/0.99</p> <p data-bbox="201 689 735 716">Rated speed: 2750/2740 rpm</p> <p data-bbox="201 719 660 745">Motor efficiency at full load: 72-70 %</p> <p data-bbox="201 748 580 775">Number of poles: 2</p> <p data-bbox="201 777 740 804">Enclosure class (IEC 34-5): 55 Dust/Jetting</p> <p data-bbox="201 806 580 833">Insulation class (IEC 85): F</p> <p data-bbox="201 866 293 893"><b>Others:</b></p> <p data-bbox="201 896 676 922">Minimum efficiency index, MEI <math>\eta_{min}</math>: 0.70</p> <p data-bbox="201 925 647 952">Net weight: 41.2 kg</p> <p data-bbox="201 954 647 981">Gross weight: 44.1 kg</p> <p data-bbox="201 983 647 1010">Shipping volume: 0.13 m<sup>3</sup></p> <p data-bbox="201 1012 603 1039">Country of origin: GB</p> <p data-bbox="201 1041 676 1068">Custom tariff no.: 84137075</p>

## 96533101 CRN 1-25 A-FGJ-H-E-HQQE 50 Hz



Description	Value
<b>General information:</b>	
Product name:	CRN 1-25 A-FGJ-H-E-HQQE
Product No:	96533101
EAN number:	5700397424438
Price:	1.987,00 GBP
<b>Technical:</b>	
Pump speed on which pump data are based:	2767 rpm
Rated flow:	1.8 m <sup>3</sup> /h
Rated head:	110.5 m
Head max:	151.8 m
Stages:	25
Impellers:	25
Number of reduced-diameter impellers:	0
Low NPSH:	N
Pump orientation:	Vertical
Shaft seal arrangement:	Single
Code for shaft seal:	HQQE
Approvals on nameplate:	CE, EAC, ACS
Curve tolerance:	ISO9906:2012 3B
Pump version:	A
Model:	A
<b>Materials:</b>	
Base:	Stainless steel EN 1.4408 AISI 316
Impeller:	Stainless steel EN 1.4401 AISI 316
Material code:	H
Code for rubber:	E
Bearing:	SIC
<b>Installation:</b>	
Maximum ambient temperature:	40 °C
Maximum operating pressure:	25 bar
Max pressure at stated temp:	25 bar / 120 °C 25 bar / -20 °C
Type of connection:	DIN / ANSI / JIS
Size of inlet connection:	DN 25/32 1 1/4 inch
Size of outlet connection:	DN 25/32 1 1/4 inch
Pressure rating for pipe connection:	PN 25
Flange rating inlet:	300 lb
Flange size for motor:	FT115
Connect code:	FGJ
<b>Liquid:</b>	
Pumped liquid:	Water
Liquid temperature range:	-20 .. 120 °C
Liquid temperature during operation:	20 °C
Density:	998.2 kg/m <sup>3</sup>
<b>Electrical data:</b>	
Motor standard:	IEC
Motor type:	90LB
Rated power - P2:	1.5 kW
Power (P2) required by pump:	1.5 kW
Mains frequency:	50 Hz
Rated voltage:	1 x 220-230/240 V





Company name:

Created by:

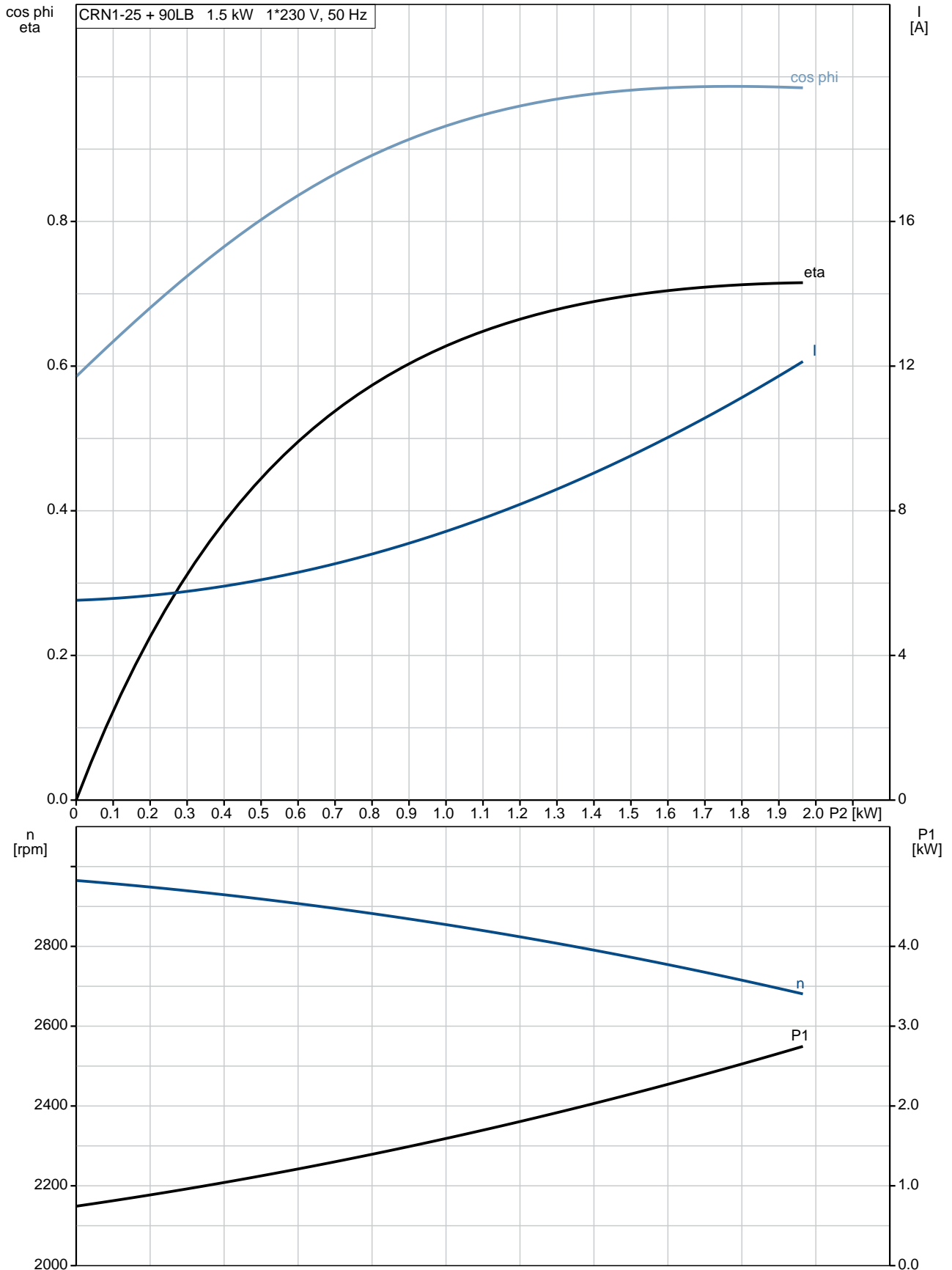
Phone:

Date:

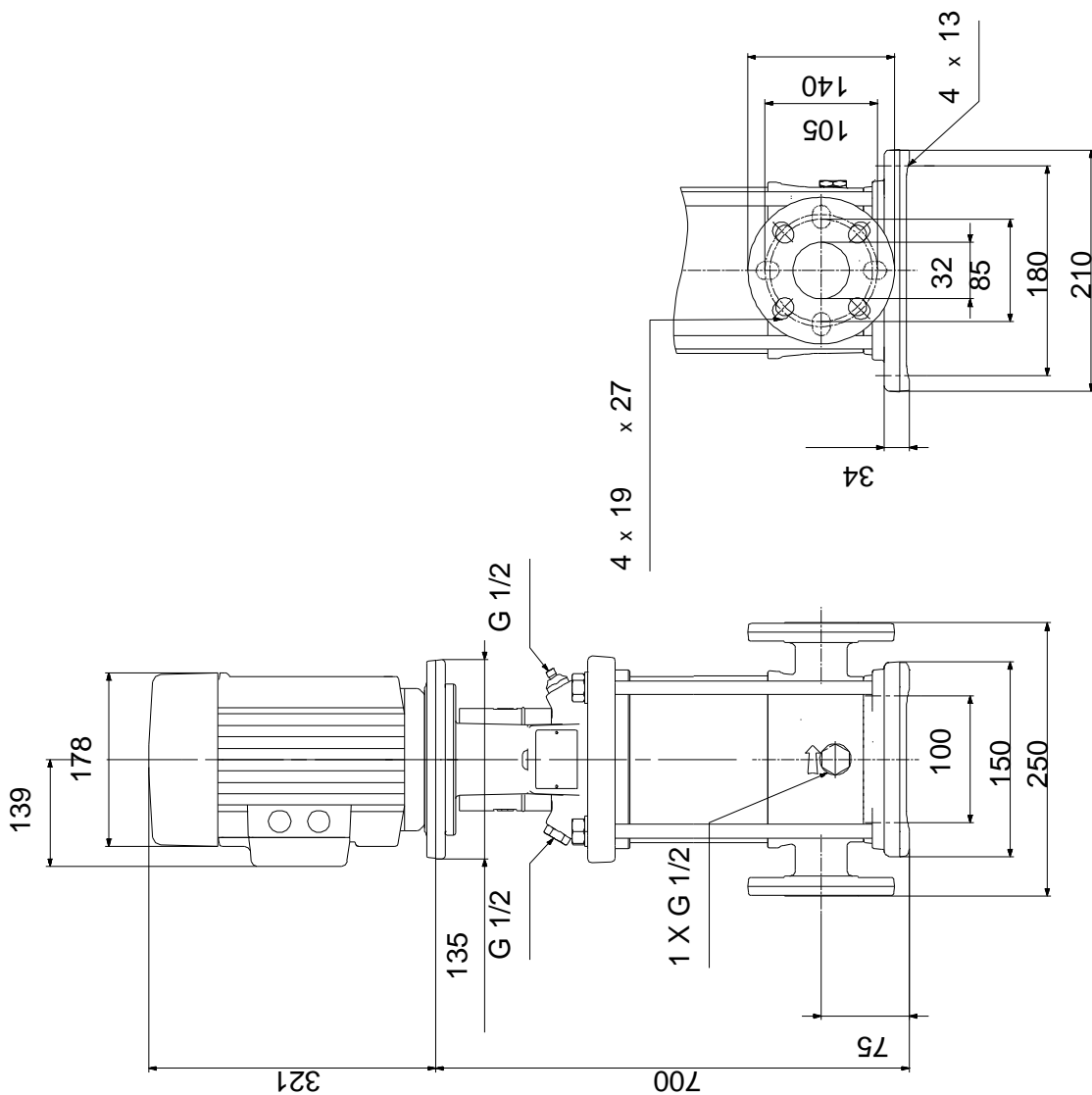
07/03/2019

Description	Value
Rated current:	9.90/8.90 A
Starting current:	390 %
Cos phi - power factor:	0.98/0.99
Rated speed:	2750/2740 rpm
Motor efficiency at full load:	72-70 %
Number of poles:	2
Enclosure class (IEC 34-5):	55 Dust/Jetting
Insulation class (IEC 85):	F
Motor protec:	PTO
Motor No:	85215706
<b>Controls:</b>	
Frequency converter:	NONE
<b>Others:</b>	
Minimum efficiency index, MEI %:	0.70
Net weight:	41.2 kg
Gross weight:	44.1 kg
Shipping volume:	0.13 m <sup>3</sup>
Sales region:	Great Britain
Country of origin:	GB
Custom tariff no.:	84137075

## 96533101 CRN 1-25 A-FGJ-H-E-HQQE 50 Hz



**96533101 CRN 1-25 A-FGJ-H-E-HQQE 50 Hz**



Note! All units are in [mm] unless others are stated.  
Disclaimer: This simplified dimensional drawing does not show all details.