
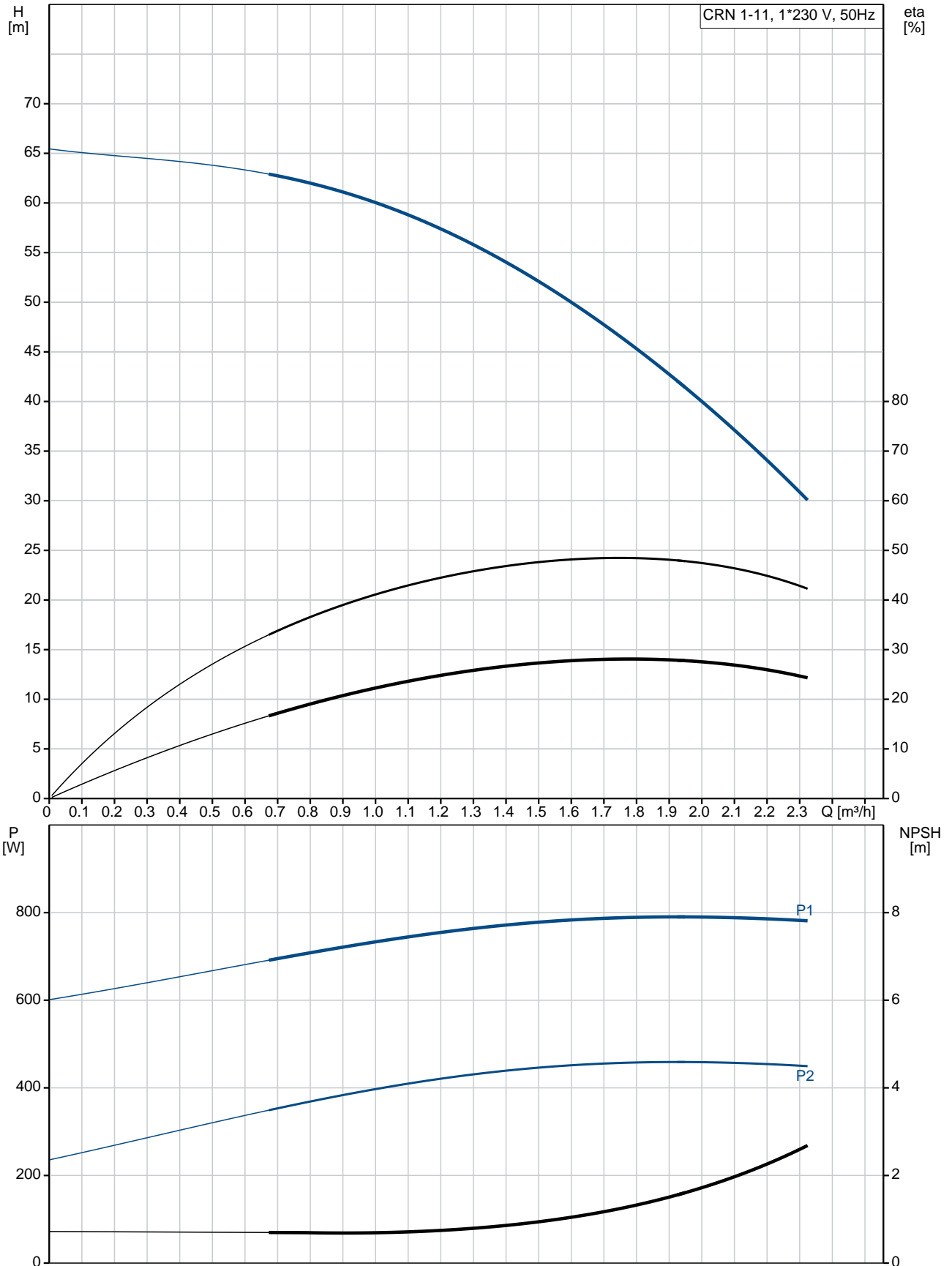


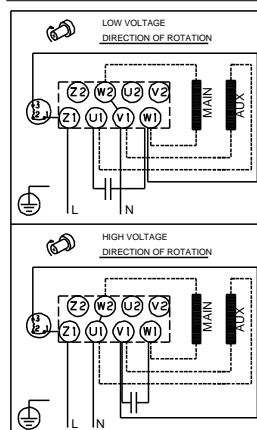
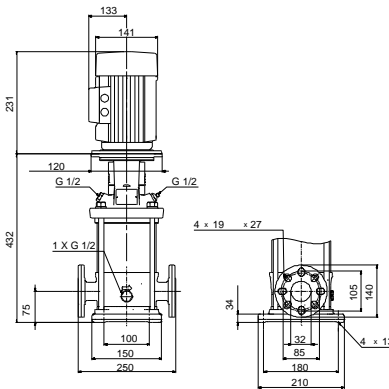
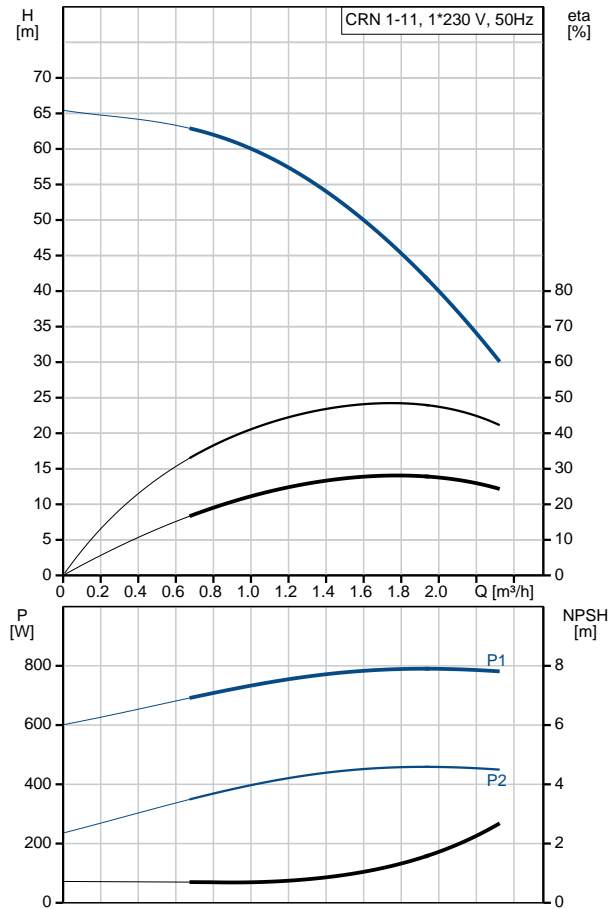
Qty.	Description
1	<p data-bbox="199 340 528 369">CRN 1-11 A-FGJ-H-E-HQQE</p>  <p data-bbox="199 663 469 692">Product No.: 96533079</p> <p data-bbox="199 721 1406 824">Vertical, multistage centrifugal pump with inlet and outlet ports on same the level (inline). Pump materials in contact with the liquid are in high-grade stainless steel. A cartridge shaft seal ensures high reliability, safe handling, and easy access and service. Power transmission is via a rigid split coupling. Pipe connection is via combined DIN-ANSI-JIS flanges.</p> <p data-bbox="199 864 935 893">The pump is fitted with a 1-phase, fan-cooled asynchronous motor.</p> <p data-bbox="199 922 316 952">Controls:</p> <p data-bbox="199 954 639 983">Frequency converter: NONE</p> <p data-bbox="199 1012 288 1041">Liquid:</p> <p data-bbox="199 1043 707 1162">Pumped liquid: Water Liquid temperature range: -20 .. 120 °C Liquid temperature during operation: 20 °C Density: 998.2 kg/m³</p> <p data-bbox="199 1191 328 1220">Technical:</p> <p data-bbox="199 1223 823 1458">Pump speed on which pump data are based: 2750 rpm Rated flow: 1.8 m³/h Rated head: 47.9 m Pump orientation: Vertical Shaft seal arrangement: Single Code for shaft seal: HQQE Approvals on nameplate: CE, EAC,ACS Curve tolerance: ISO9906:2012 3B</p> <p data-bbox="199 1487 320 1516">Materials:</p> <p data-bbox="199 1518 727 1727">Base: Stainless steel EN 1.4408 AISI 316 Impeller: Stainless steel EN 1.4401 AISI 316 Bearing: SIC</p> <p data-bbox="199 1756 344 1785">Installation:</p> <p data-bbox="199 1787 743 2107">Maximum ambient temperature: 40 °C Maximum operating pressure: 25 bar Max pressure at stated temp: 25 bar / 120 °C 25 bar / -20 °C Type of connection: DIN / ANSI / JIS Size of inlet connection: DN 25/32 1 1/4 inch Size of outlet connection: DN 25/32 1 1/4 inch Pressure rating for pipe connection: PN 25 Flange rating inlet: 300 lb</p>

Qty.	Description
	<p>Flange size for motor: FT100</p> <p>Electrical data:</p> <p>Motor standard: IEC</p> <p>Motor type: 80A</p> <p>Rated power - P2: 0.55 kW</p> <p>Power (P2) required by pump: 0.55 kW</p> <p>Mains frequency: 50 Hz</p> <p>Rated voltage: 1 x 220-230/240 V</p> <p>Rated current: 4.00/3.65 A</p> <p>Starting current: 280 %</p> <p>Cos phi - power factor: 0.99</p> <p>Rated speed: 2750 rpm</p> <p>Motor efficiency at full load: 66-64 %</p> <p>Number of poles: 2</p> <p>Enclosure class (IEC 34-5): 55 Dust/Jetting</p> <p>Insulation class (IEC 85): F</p> <p>Others:</p> <p>Minimum efficiency index, MEI η_{min}: 0.70</p> <p>Net weight: 25.1 kg</p> <p>Gross weight: 27.7 kg</p> <p>Shipping volume: 0.094 m³</p> <p>Country of origin: GB</p> <p>Custom tariff no.: 84137075</p>

96533079 CRN 1-11 A-FGJ-H-E-HQQE 50 Hz



Description	Value
General information:	
Product name:	CRN 1-11 A-FGJ-H-E-HQQE
Product No:	96533079
EAN number:	5700397421918
Price:	1.207,00 GBP
Technical:	
Pump speed on which pump data are based:	2750 rpm
Rated flow:	1.8 m ³ /h
Rated head:	47.9 m
Head max:	66.4 m
Stages:	11
Impellers:	11
Number of reduced-diameter impellers:	0
Low NPSH:	N
Pump orientation:	Vertical
Shaft seal arrangement:	Single
Code for shaft seal:	HQQE
Approvals on nameplate:	CE, EAC, ACS
Curve tolerance:	ISO9906:2012 3B
Pump version:	A
Model:	A
Materials:	
Base:	Stainless steel EN 1.4408 AISI 316
Impeller:	Stainless steel EN 1.4401 AISI 316
Material code:	H
Code for rubber:	E
Bearing:	SIC
Installation:	
Maximum ambient temperature:	40 °C
Maximum operating pressure:	25 bar
Max pressure at stated temp:	25 bar / 120 °C 25 bar / -20 °C
Type of connection:	DIN / ANSI / JIS
Size of inlet connection:	DN 25/32 1 1/4 inch
Size of outlet connection:	DN 25/32 1 1/4 inch
Pressure rating for pipe connection:	PN 25
Flange rating inlet:	300 lb
Flange size for motor:	FT100
Connect code:	FGJ
Liquid:	
Pumped liquid:	Water
Liquid temperature range:	-20 .. 120 °C
Liquid temperature during operation:	20 °C
Density:	998.2 kg/m ³
Electrical data:	
Motor standard:	IEC
Motor type:	80A
Rated power - P2:	0.55 kW
Power (P2) required by pump:	0.55 kW
Mains frequency:	50 Hz
Rated voltage:	1 x 220-230/240 V





Company name:

Created by:

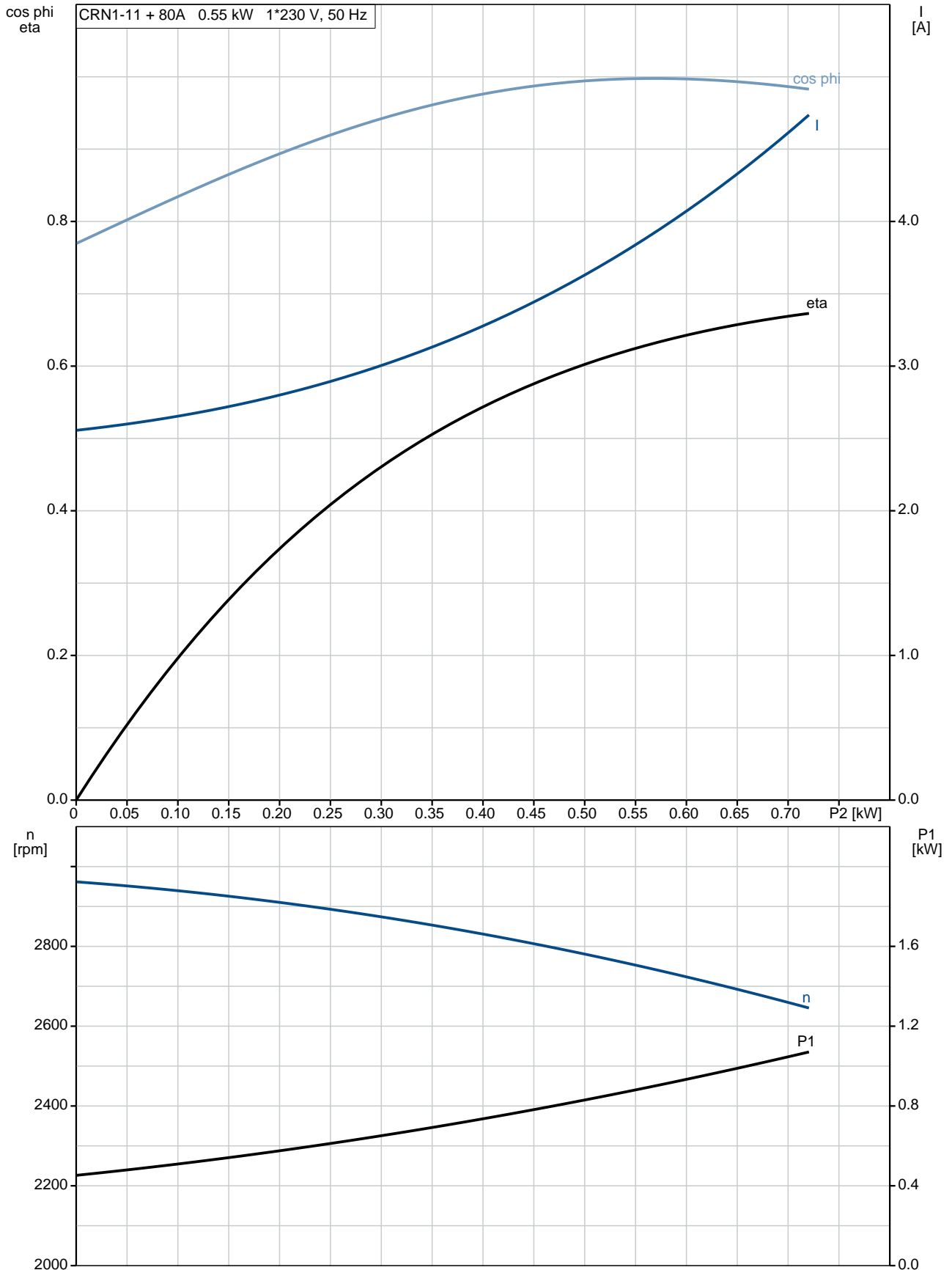
Phone:

Date:

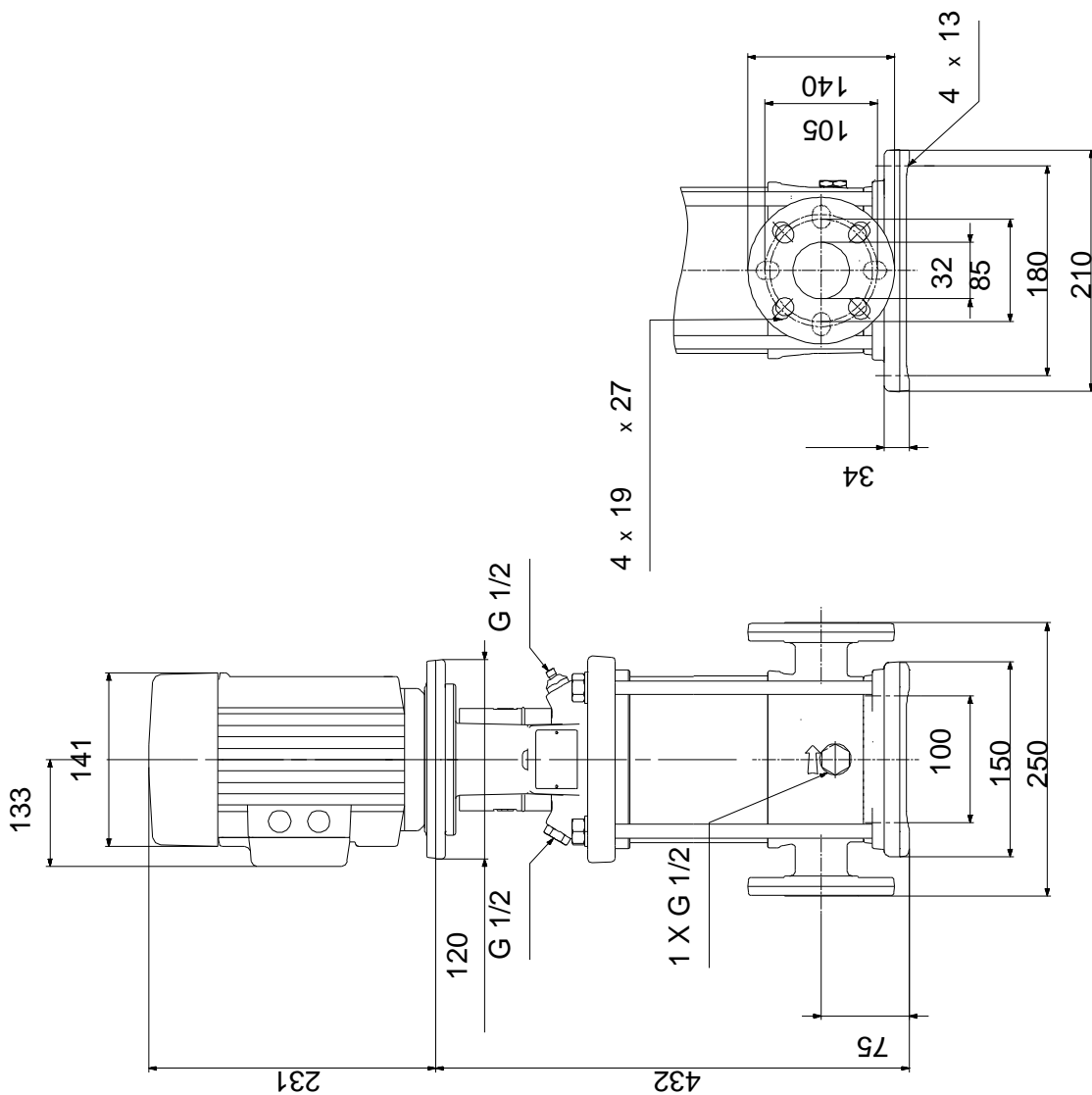
07/03/2019

Description	Value
Rated current:	4.00/3.65 A
Starting current:	280 %
Cos phi - power factor:	0.99
Rated speed:	2750 rpm
Motor efficiency at full load:	66-64 %
Number of poles:	2
Enclosure class (IEC 34-5):	55 Dust/Jetting
Insulation class (IEC 85):	F
Motor protec:	PTO
Motor No:	85215103
Controls:	
Frequency converter:	NONE
Others:	
Minimum efficiency index, MEI %:	0.70
Net weight:	25.1 kg
Gross weight:	27.7 kg
Shipping volume:	0.094 m ³
Sales region:	Great Britain
Country of origin:	GB
Custom tariff no.:	84137075

96533079 CRN 1-11 A-FGJ-H-E-HQQE 50 Hz



96533079 CRN 1-11 A-FGJ-H-E-HQQE 50 Hz



Note! All units are in [mm] unless others are stated.
Disclaimer: This simplified dimensional drawing does not show all details.