

Qty. Description

1 CRI 1-3 A-CA-A-V-HQQV



Note! Product picture may differ from actual product

Product No.: [96532165](#)

Vertical, multistage centrifugal pump with inlet and outlet ports on same the level (inline). Pump materials in contact with the liquid are in stainless steel. A cartridge shaft seal ensures high reliability, safe handling, and easy access and service. Power transmission is via a rigid split coupling. Pipe connection is via FlexiClamps.

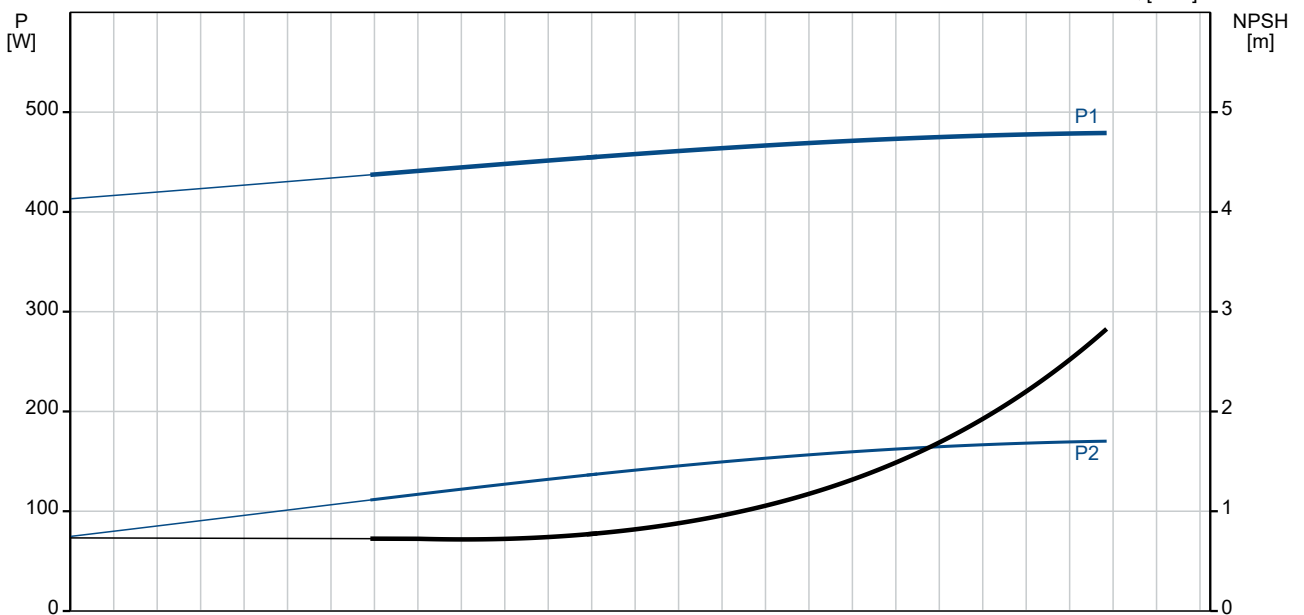
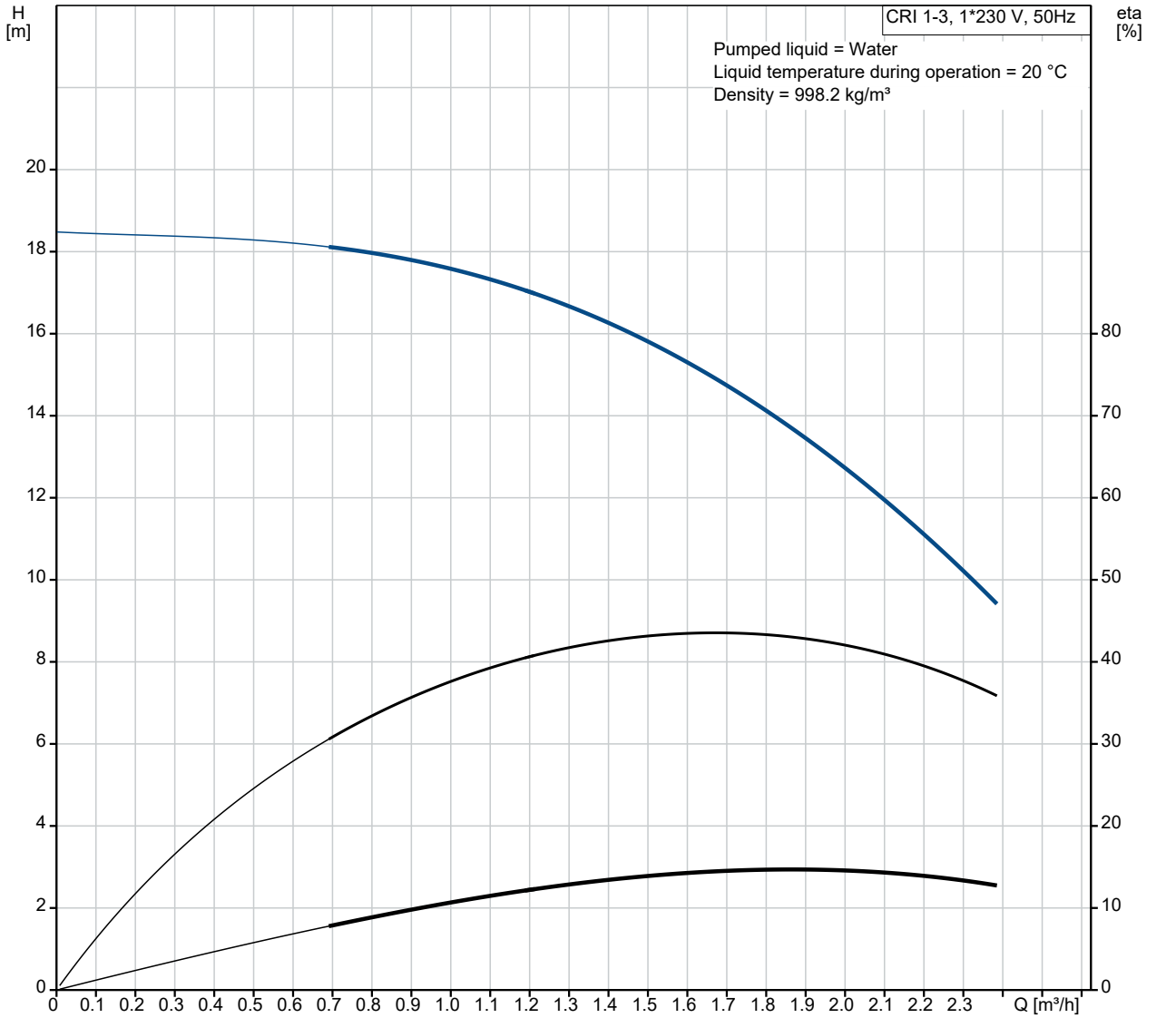
The pump is fitted with a 1-phase, fan-cooled asynchronous motor.

Liquid:  
Pumped liquid: Water  
Liquid temperature range: -20 .. 90 °C  
Selected liquid temperature: 20 °C  
Density: 998.2 kg/m<sup>3</sup>

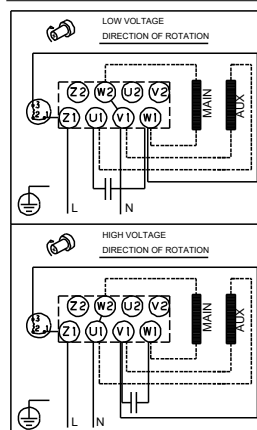
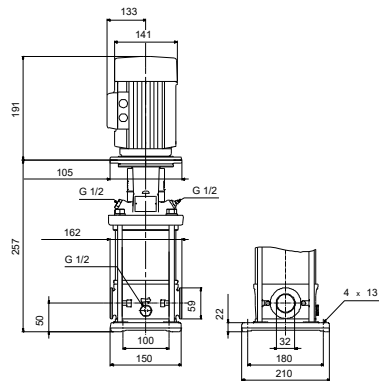
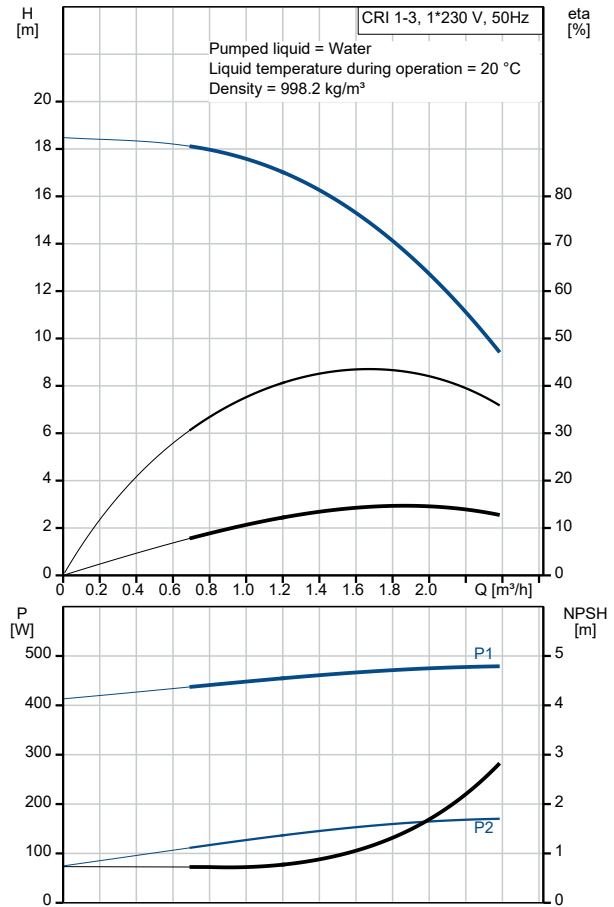
Technical:

Qty.	Description
	Pump speed on which pump data are based: 2757 rpm Rated flow: 1.8 m <sup>3</sup> /h Rated head: 15.4 m Pump orientation: Vertical Shaft seal arrangement: Single Code for shaft seal: HQQV Approvals: CE,EAC,UKCA Approvals for drinking water: WRAS Curve tolerance: ISO9906:2012 3B  Materials: Base: Stainless steel EN 1.4408 AISI 316 Impeller: Stainless steel EN 1.4301 AISI 304 Bearing: SIC  Installation: Maximum ambient temperature: 40 °C Maximum operating pressure: 25 bar Max pressure at stated temp: 25 bar / 90 °C 25 bar / -20 °C Type of connection: FlexiClamp Size of inlet connection: DN 32 Size of outlet connection: DN 32 Pressure rating for connection: PN 25 Flange size for motor: FT85  Electrical data: Motor standard: IEC Motor type: 71B Rated power - P2: 0.37 kW Power (P2) required by pump: 0.37 kW Mains frequency: 50 Hz Rated voltage: 1 x 220-230/240 V Rated current: 2.95/2.70 A Starting current: 280 % Cos phi - power factor: 0.99 Rated speed: 2770 rpm Motor efficiency at full load: 60.0-56.0 % Number of poles: 2 Enclosure class (IEC 34-5): 55 Dust/Jetting Insulation class (IEC 85): F Motor No: 85215102  Controls: Frequency converter: NONE  Others: Minimum efficiency index, MEI ≥: 0.70 Net weight: 17.3 kg Gross weight: 20 kg Shipping volume: 0.054 m <sup>3</sup>

## 96532165 CRI 1-3 A-CA-A-V-HQQV 50 Hz



Description	Value
<b>General information:</b>	
Product name:	CRI 1-3 A-CA-A-V-HQQV
Product No:	96532165
EAN number:	5700397367575
Price:	
<b>Technical:</b>	
Pump speed on which pump data are based:	2757 rpm
Rated flow:	1.8 m <sup>3</sup> /h
Rated head:	15.4 m
Maximum head:	19.1 m
Stages:	3
Impellers:	3
Number of reduced-diameter impellers:	0
Low NPSH:	N
Pump orientation:	Vertical
Shaft seal arrangement:	Single
Code for shaft seal:	HQQV
Approvals:	CE,EAC,UKCA
Approvals for drinking water:	WRAS
Curve tolerance:	ISO9906:2012 3B
Pump version:	A
Model:	A
<b>Materials:</b>	
Base:	Stainless steel
Base:	EN 1.4408
Base:	AISI 316
Impeller:	Stainless steel
Impeller:	EN 1.4301
Impeller:	AISI 304
Material code:	A
Code for rubber:	V
Bearing:	SIC
<b>Installation:</b>	
Maximum ambient temperature:	40 °C
Maximum operating pressure:	25 bar
Max pressure at stated temp:	25 bar / 90 °C
Max pressure at stated temp:	25 bar / -20 °C
Type of connection:	FlexiClamp
Size of inlet connection:	DN 32
Size of outlet connection:	DN 32
Pressure rating for connection:	PN 25
Flange size for motor:	FT85
Connect code:	CA
<b>Liquid:</b>	
Pumped liquid:	Water
Liquid temperature range:	-20 .. 90 °C
Selected liquid temperature:	20 °C
Density:	998.2 kg/m <sup>3</sup>
<b>Electrical data:</b>	
Motor standard:	IEC
Motor type:	71B
Rated power - P2:	0.37 kW
Power (P2) required by pump:	0.37 kW
Mains frequency:	50 Hz
Rated voltage:	1 x 220-230/240 V
Rated current:	2.95/2.70 A
Starting current:	280 %







Company name:

Created by:

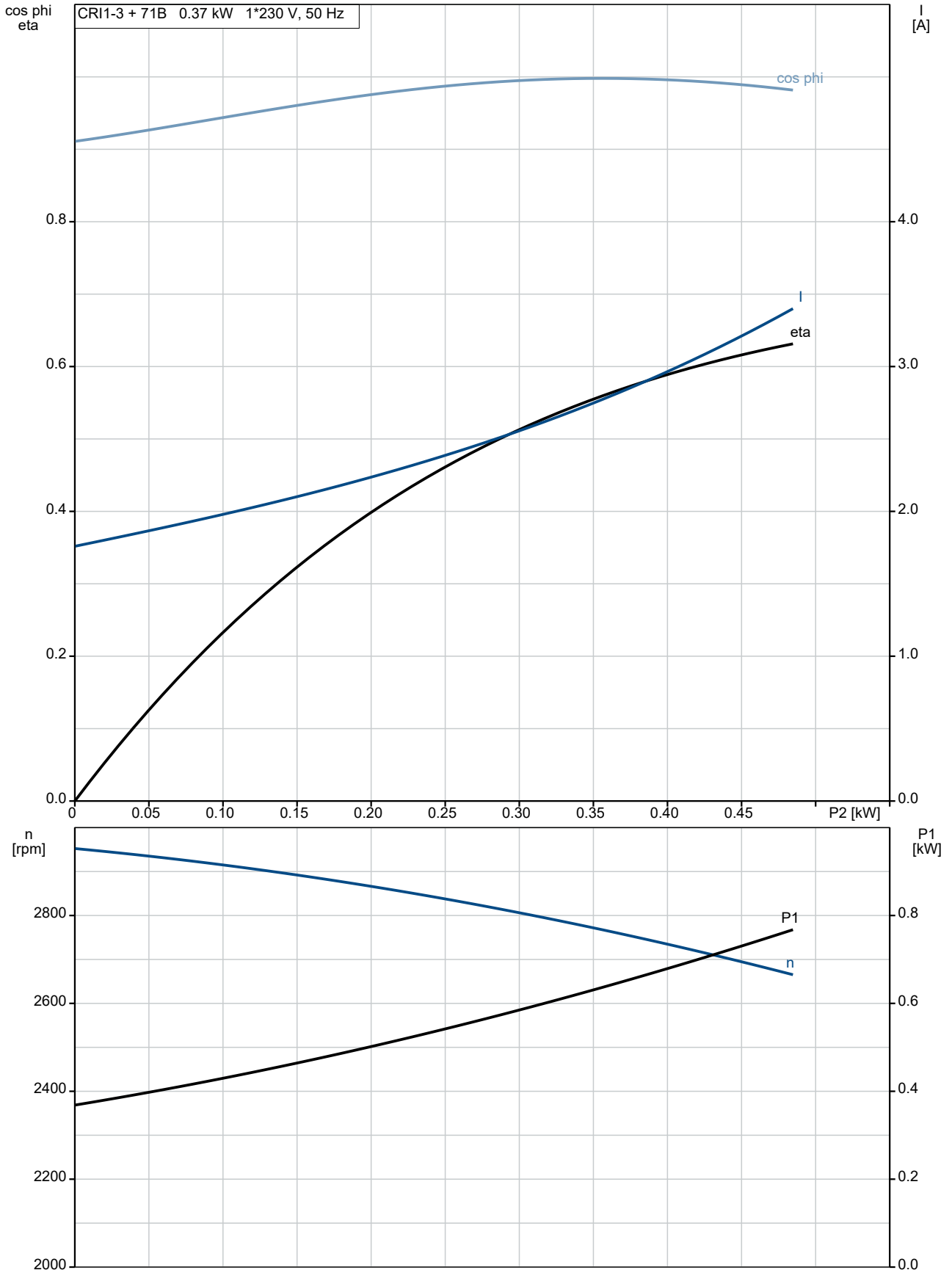
Phone:

Date:

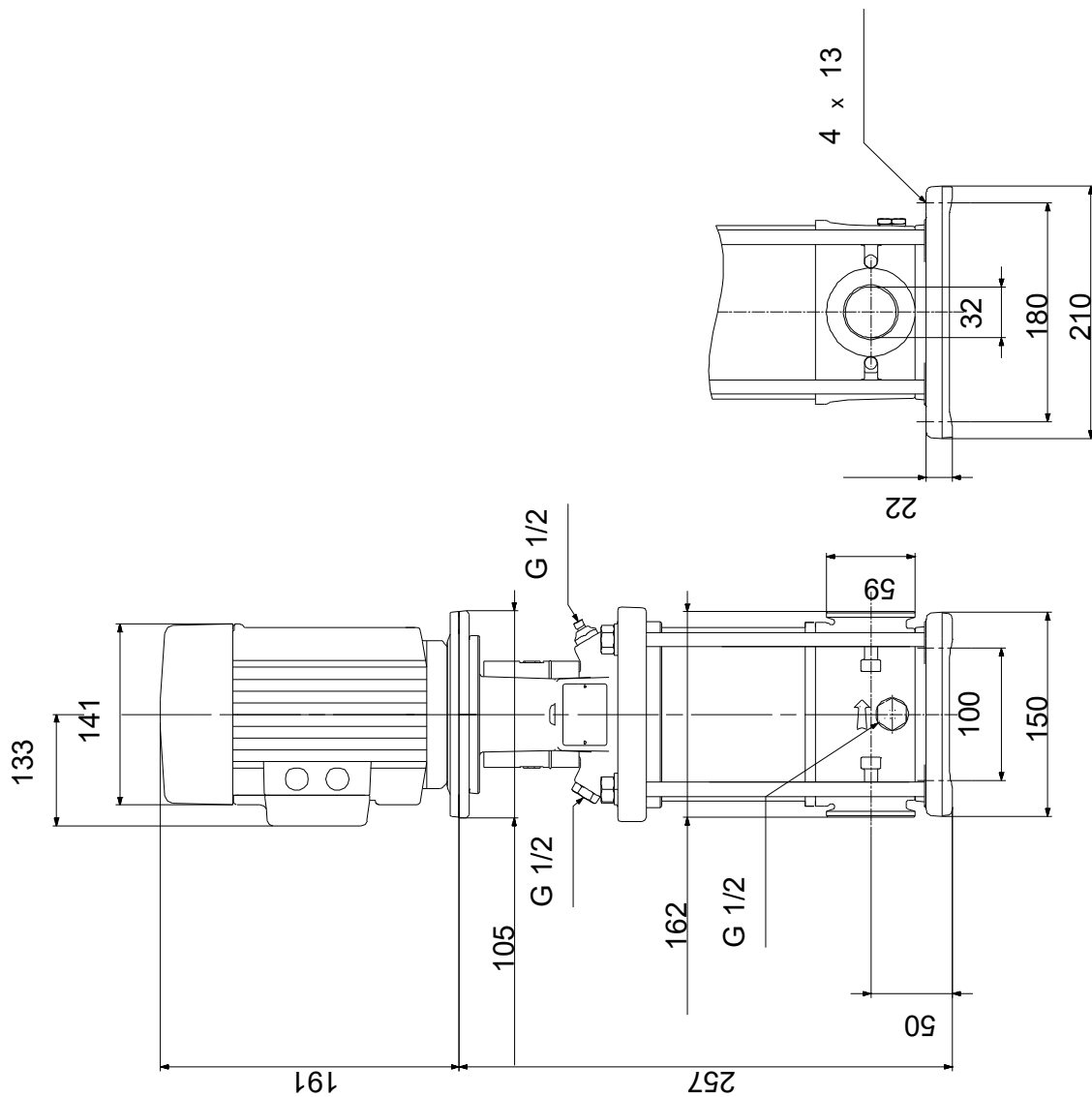
13/07/2021

Description	Value
Cos phi - power factor:	0.99
Rated speed:	2770 rpm
Motor efficiency at full load:	60.0-56.0 %
Number of poles:	2
Enclosure class (IEC 34-5):	55 Dust/Jetting
Insulation class (IEC 85):	F
Motor protec:	PTO
Motor No:	85215102
<b>Controls:</b>	
Frequency converter:	NONE
<b>Others:</b>	
Minimum efficiency index, MEI ≥:	0.70
Net weight:	17.3 kg
Gross weight:	20 kg
Shipping volume:	0.054 m <sup>3</sup>
Sales region:	GB

## 96532165 CRI 1-3 A-CA-A-V-HQQV 50 Hz

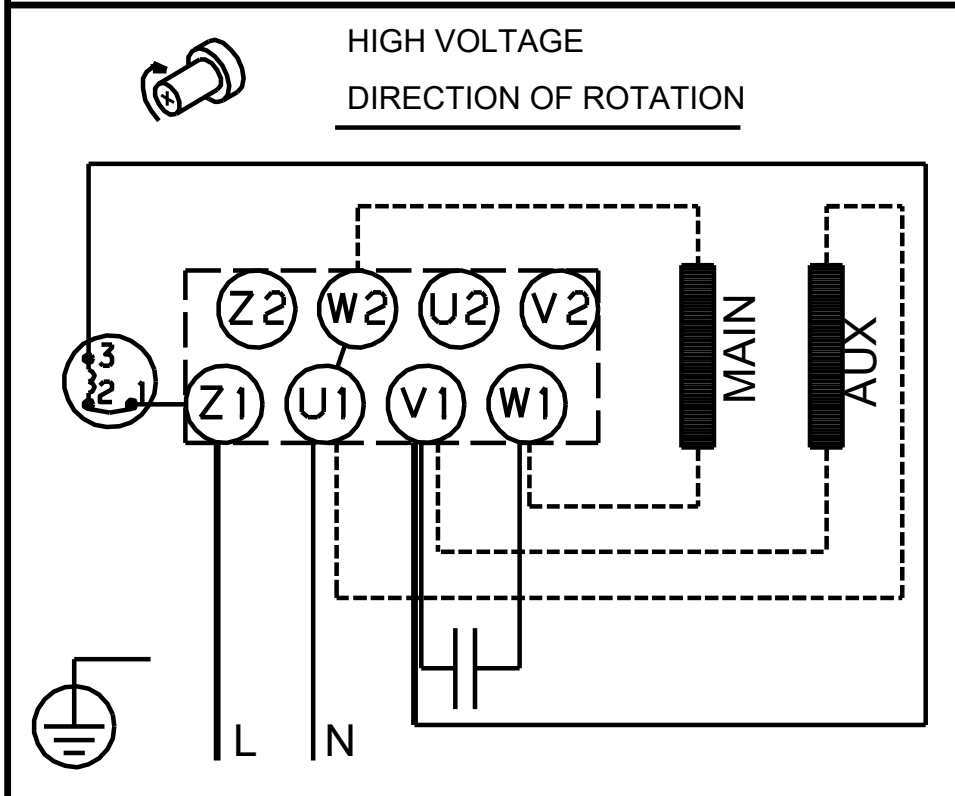
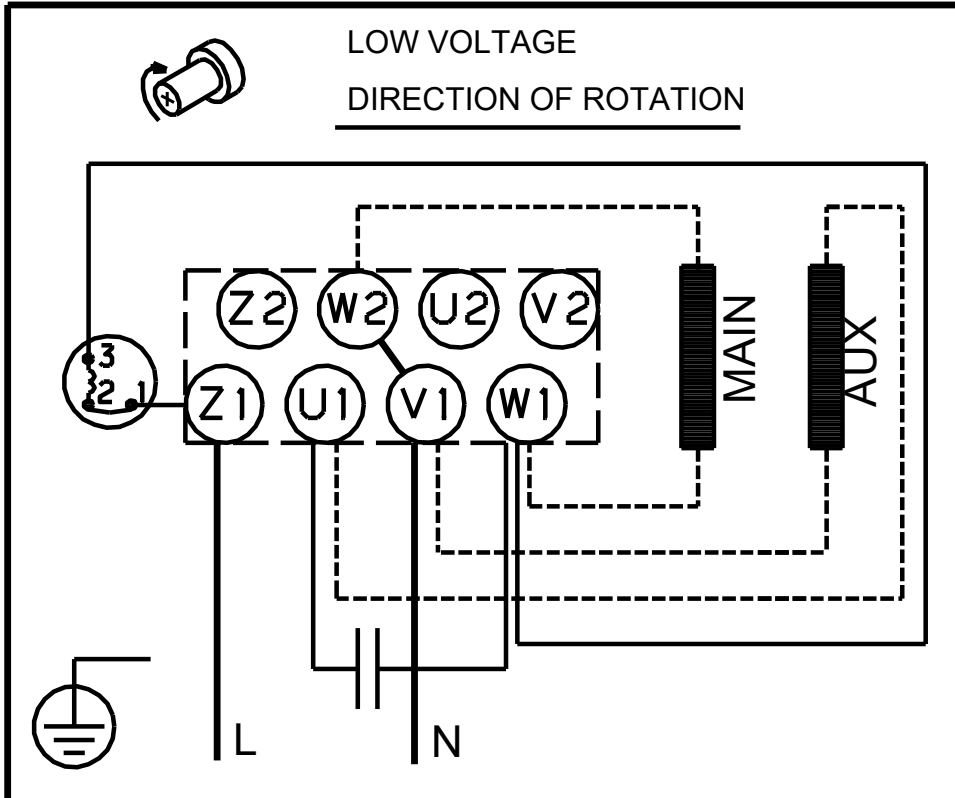


## 96532165 CRI 1-3 A-CA-A-V-HQQV 50 Hz



Note! All units are in [mm] unless others are stated.  
Disclaimer: This simplified dimensional drawing does not show all details.

## 96532165 CRI 1-3 A-CA-A-V-HQQV 50 Hz



Note! All units are in [mm] unless others are stated.