


Qty.	Description
1	<p data-bbox="199 340 518 369">CRN 1S-25 A-P-A-E-HQQE</p>  <p data-bbox="199 660 470 689">Product No.: 96532163</p> <p data-bbox="199 721 1380 801">Vertical, multistage centrifugal pump with inlet and outlet ports on same the level (inline). Pump materials in contact with the liquid are in high-grade stainless steel. Power transmission is via a rigid split coupling. Pipe connection is via PJE (Victaulic®) couplings.</p> <p data-bbox="199 833 933 862">The pump is fitted with a 1-phase, fan-cooled asynchronous motor.</p> <p data-bbox="199 896 319 925">Controls:</p> <p data-bbox="199 925 638 954">Frequency converter: NONE</p> <p data-bbox="199 985 295 1014">Liquid:</p> <p data-bbox="199 1014 638 1043">Pumped liquid: Water</p> <p data-bbox="199 1043 710 1072">Liquid temperature range: -20 .. 120 °C</p> <p data-bbox="199 1072 694 1102">Liquid temperature during operation: 20 °C</p> <p data-bbox="199 1102 702 1131">Density: 998.2 kg/m³</p> <p data-bbox="199 1162 327 1191">Technical:</p> <p data-bbox="199 1191 821 1220">Pump speed on which pump data are based: 2759 rpm</p> <p data-bbox="199 1220 662 1249">Rated flow: 0.9 m³/h</p> <p data-bbox="199 1249 662 1279">Rated head: 103.8 m</p> <p data-bbox="199 1279 654 1308">Pump orientation: Vertical</p> <p data-bbox="199 1308 638 1337">Shaft seal arrangement: Single</p> <p data-bbox="199 1337 638 1366">Code for shaft seal: HQQE</p> <p data-bbox="199 1366 726 1395">Approvals on nameplate: CE, EAC, ACS</p> <p data-bbox="199 1395 766 1424">Curve tolerance: ISO9906:2012 3B</p> <p data-bbox="199 1456 327 1485">Materials:</p> <p data-bbox="199 1485 726 1547">Base: Stainless steel EN 1.4408 AISI 316</p> <p data-bbox="199 1579 726 1641">Impeller: Stainless steel EN 1.4401 AISI 316</p> <p data-bbox="199 1673 614 1702">Bearing: SIC</p> <p data-bbox="199 1733 343 1762">Installation:</p> <p data-bbox="199 1762 630 1792">Maximum ambient temperature: 40 °C</p> <p data-bbox="199 1792 638 1821">Maximum operating pressure: 25 bar</p> <p data-bbox="199 1821 742 1879">Max pressure at stated temp: 25 bar / 120 °C 25 bar / -20 °C</p> <p data-bbox="199 1879 614 1908">Type of connection: PJE</p> <p data-bbox="199 1908 678 1966">Size of inlet connection: DN 32 1 1/4 inch</p> <p data-bbox="199 1966 678 2024">Size of outlet connection: DN 32 1 1/4 inch</p> <p data-bbox="199 2024 686 2054">Pressure rating for pipe connection: PN 50</p> <p data-bbox="199 2054 638 2083">Flange size for motor: FT100</p>

Qty.	Description
------	-------------

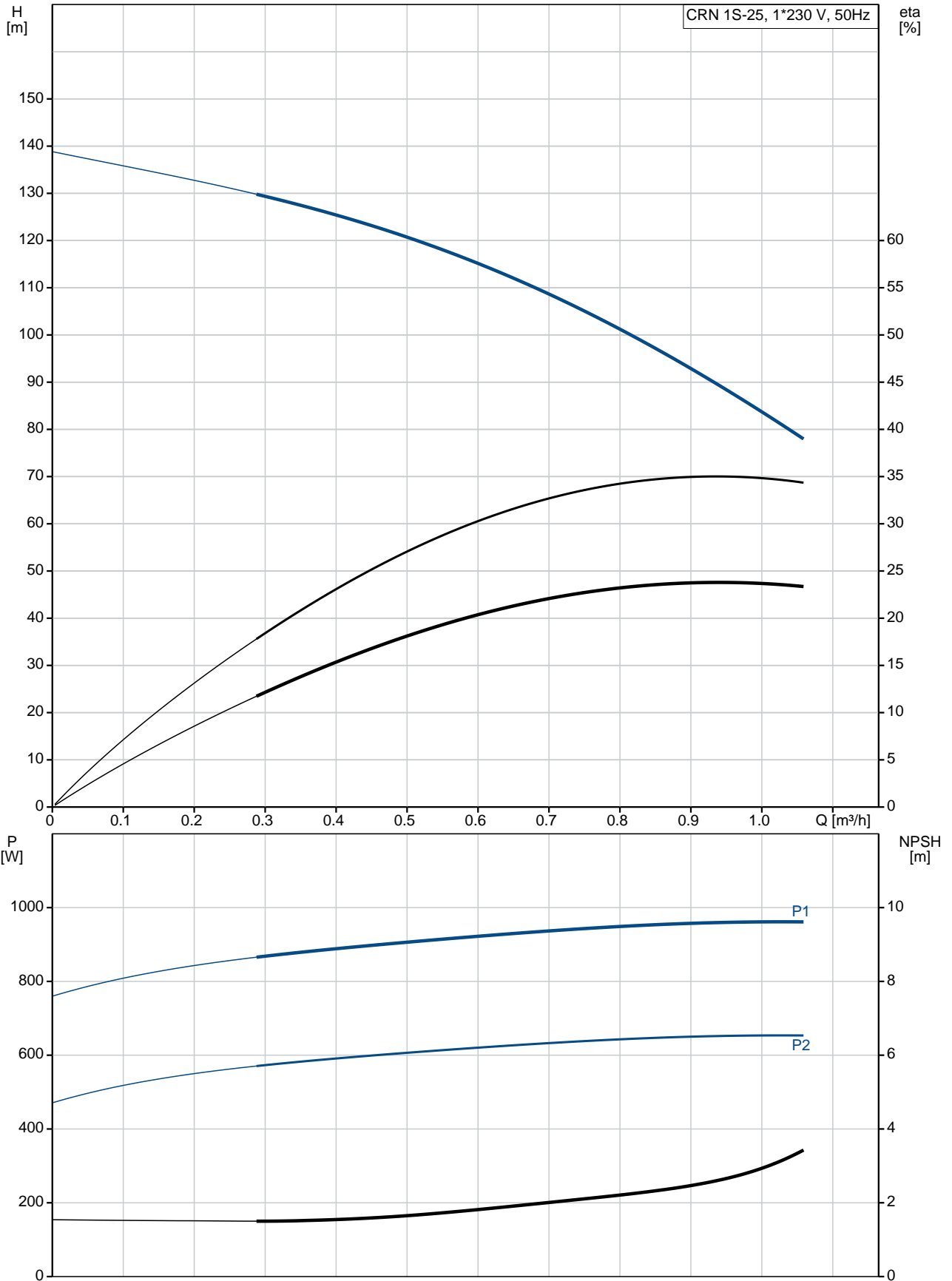
Electrical data:

Motor standard:	IEC
Motor type:	80B
IE Efficiency class:	IE1
Rated power - P2:	0.75 kW
Power (P2) required by pump:	0.75 kW
Mains frequency:	50 Hz
Rated voltage:	1 x 220-230/240 V
Rated current:	5.10/4.75 A
Starting current:	300 %
Cos phi - power factor:	0.99
Rated speed:	2780 rpm
Efficiency:	IE1 72,1%
Motor efficiency at full load:	72.1 %
Number of poles:	2
Enclosure class (IEC 34-5):	55 Dust/Jetting
Insulation class (IEC 85):	F

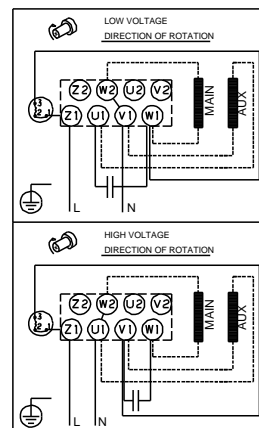
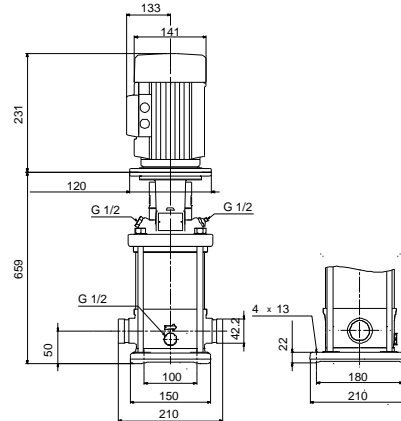
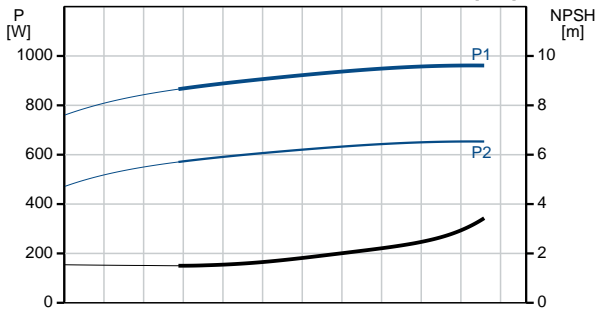
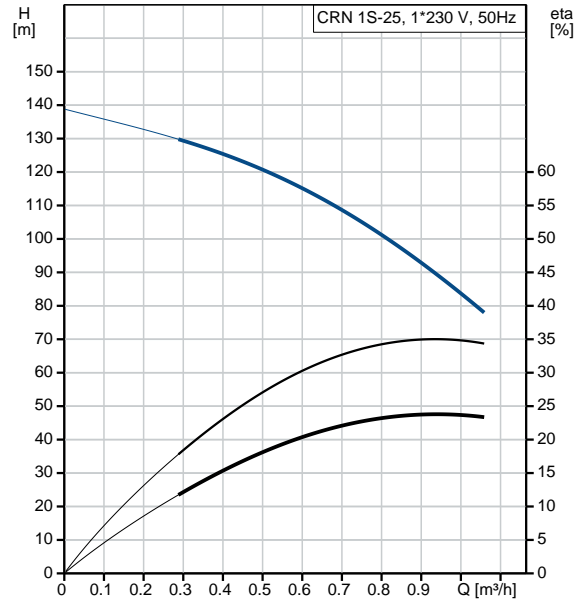
Others:

Minimum efficiency index, MEI $\hat{\alpha}\%$:	0.54
Net weight:	29.6 kg
Gross weight:	33.7 kg
Shipping volume:	0.092 m ³
Country of origin:	GB
Custom tariff no.:	84137075

96532163 CRN 1S-25 A-P-A-E-HQQE 50 Hz



Description	Value
General information:	
Product name:	CRN 1S-25 A-P-A-E-HQQE
Product No:	96532163
EAN number:	5700397366455
Price:	1.484,00 GBP
Technical:	
Pump speed on which pump data are based:	2759 rpm
Rated flow:	0.9 m ³ /h
Rated head:	103.8 m
Head max:	142.9 m
Stages:	25
Impellers:	25
Number of reduced-diameter impellers:	0
Low NPSH:	N
Pump orientation:	Vertical
Shaft seal arrangement:	Single
Code for shaft seal:	HQQE
Approvals on nameplate:	CE, EAC, ACS
Curve tolerance:	ISO9906:2012 3B
Pump version:	A
Model:	A
Materials:	
Base:	Stainless steel EN 1.4408 AISI 316
Impeller:	Stainless steel EN 1.4401 AISI 316
Material code:	A
Code for rubber:	E
Bearing:	SIC
Installation:	
Maximum ambient temperature:	40 °C
Maximum operating pressure:	25 bar
Max pressure at stated temp:	25 bar / 120 °C 25 bar / -20 °C
Type of connection:	PJE
Size of inlet connection:	DN 32 1 1/4 inch
Size of outlet connection:	DN 32 1 1/4 inch
Pressure rating for pipe connection:	PN 50
Flange size for motor:	FT100
Connect code:	P
Liquid:	
Pumped liquid:	Water
Liquid temperature range:	-20 .. 120 °C
Liquid temperature during operation:	20 °C
Density:	998.2 kg/m ³
Electrical data:	
Motor standard:	IEC
Motor type:	80B
IE Efficiency class:	IE1
Rated power - P2:	0.75 kW
Power (P2) required by pump:	0.75 kW
Mains frequency:	50 Hz
Rated voltage:	1 x 220-230/240 V





Company name:

Created by:

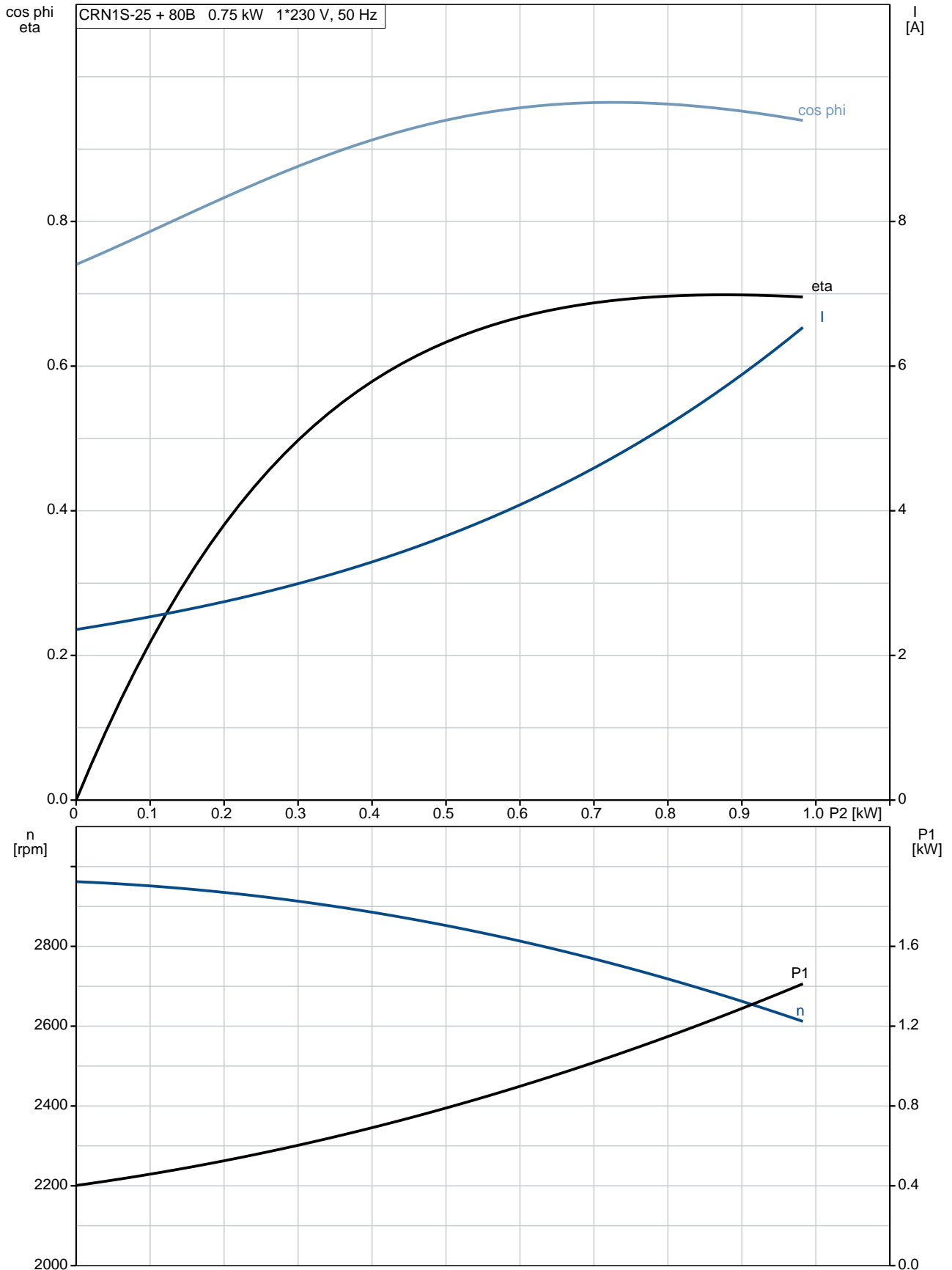
Phone:

Date:

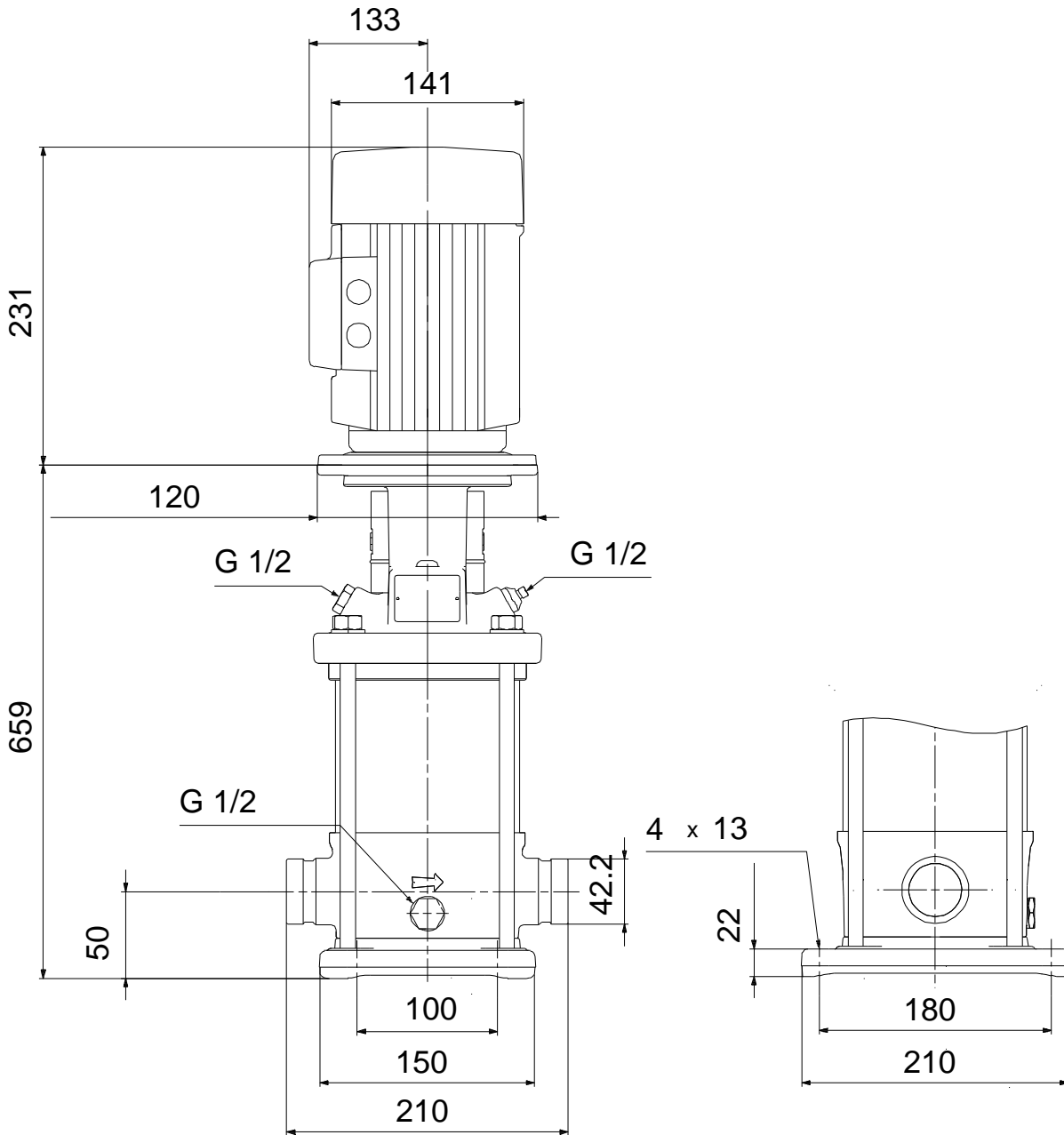
07/03/2019

Description	Value
Rated current:	5.10/4.75 A
Starting current:	300 %
Cos phi - power factor:	0.99
Rated speed:	2780 rpm
Efficiency:	IE1 72,1%
Motor efficiency at full load:	72.1 %
Number of poles:	2
Enclosure class (IEC 34-5):	55 Dust/Jetting
Insulation class (IEC 85):	F
Motor protec:	PTO
Motor No:	85900108
Controls:	
Frequency converter:	NONE
Others:	
Minimum efficiency index, MEI $\hat{a}\%$ ¥:	0.54
Net weight:	29.6 kg
Gross weight:	33.7 kg
Shipping volume:	0.092 m ³
Sales region:	GB
Country of origin:	GB
Custom tariff no.:	84137075

96532163 CRN 1S-25 A-P-A-E-HQQE 50 Hz



96532163 CRN 1S-25 A-P-A-E-HQQE 50 Hz



Note! All units are in [mm] unless others are stated.
Disclaimer: This simplified dimensional drawing does not show all details.