

**Qty. Description**

1 CRN 1S-5 A-P-A-E-HQQE



Product No.: [96532149](#)

Vertical, multistage centrifugal pump with inlet and outlet ports on same the level (inline). Pump materials in contact with the liquid are in high-grade stainless steel. Power transmission is via a rigid split coupling. Pipe connection is via PJE (Victaulic®) couplings.

The pump is fitted with a 1-phase, fan-cooled asynchronous motor.

**Controls:**

Frequency converter: NONE

**Liquid:**

Pumped liquid: Water  
 Liquid temperature range: -20 .. 120 °C  
 Liquid temperature during operation: 20 °C  
 Density: 998.2 kg/m<sup>3</sup>

**Technical:**

Pump speed on which pump data are based: 2757 rpm  
 Rated flow: 0.9 m<sup>3</sup>/h  
 Rated head: 23.3 m  
 Pump orientation: Vertical  
 Shaft seal arrangement: Single  
 Code for shaft seal: HQQE  
 Approvals on nameplate: CE, EAC, ACS  
 Curve tolerance: ISO9906:2012 3B

**Materials:**

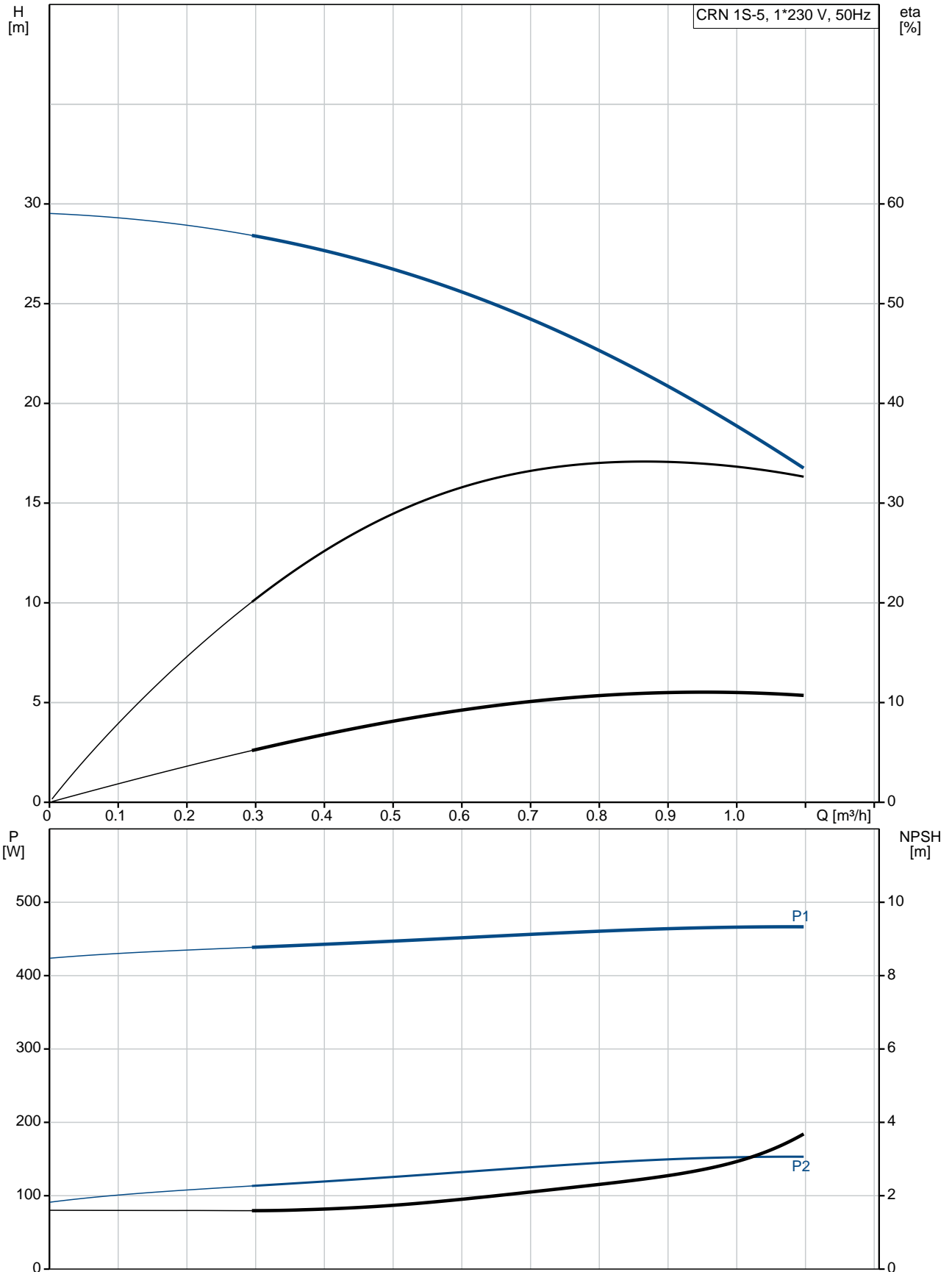
Base: Stainless steel  
 EN 1.4408  
 AISI 316  
 Impeller: Stainless steel  
 EN 1.4401  
 AISI 316  
 Bearing: SIC

**Installation:**

Maximum ambient temperature: 40 °C  
 Maximum operating pressure: 25 bar  
 Max pressure at stated temp: 25 bar / 120 °C  
 25 bar / -20 °C  
 Type of connection: PJE  
 Size of inlet connection: DN 32  
 1 1/4 inch  
 Size of outlet connection: DN 32  
 1 1/4 inch  
 Pressure rating for pipe connection: PN 50  
 Flange size for motor: FT85

Qty.	Description
	<p><b>Electrical data:</b></p> <p>Motor standard: IEC Motor type: 71B Rated power - P2: 0.37 kW Power (P2) required by pump: 0.37 kW Mains frequency: 50 Hz Rated voltage: 1 x 220-230/240 V Rated current: 2.95/2.70 A Starting current: 280 % Cos phi - power factor: 0.99 Rated speed: 2770 rpm Motor efficiency at full load: 60.0-56.0 % Number of poles: 2 Enclosure class (IEC 34-5): 55 Dust/Jetting Insulation class (IEC 85): F</p> <p><b>Others:</b></p> <p>Minimum efficiency index, MEI <math>\eta_{min}</math>: 0.54 Net weight: 18.1 kg Gross weight: 20.7 kg Shipping volume: 0.054 m<sup>3</sup> Country of origin: GB Custom tariff no.: 84137075</p>

## 96532149 CRN 1S-5 A-P-A-E-HQQE 50 Hz



Description	Value
-------------	-------

**General information:**

Product name: CRN 1S-5  
A-P-A-E-HQQE

Product No: 96532149

EAN number: 5700397364994

Price: 819,00 GBP

**Technical:**

Pump speed on which pump data are based: 2757 rpm

Rated flow: 0.9 m³/h

Rated head: 23.3 m

Head max: 30 m

Stages: 5

Impellers: 5

Number of reduced-diameter impellers: 0

Low NPSH: N

Pump orientation: Vertical

Shaft seal arrangement: Single

Code for shaft seal: HQQE

Approvals on nameplate: CE, EAC, ACS

Curve tolerance: ISO9906:2012 3B

Pump version: A

Model: A

**Materials:**

Base: Stainless steel  
EN 1.4408  
AISI 316

Impeller: Stainless steel  
EN 1.4401  
AISI 316

Material code: A

Code for rubber: E

Bearing: SIC

**Installation:**

Maximum ambient temperature: 40 °C

Maximum operating pressure: 25 bar

Max pressure at stated temp: 25 bar / 120 °C  
25 bar / -20 °C

Type of connection: PJE

Size of inlet connection: DN 32  
1 1/4 inch

Size of outlet connection: DN 32  
1 1/4 inch

Pressure rating for pipe connection: PN 50

Flange size for motor: FT85

Connect code: P

**Liquid:**

Pumped liquid: Water

Liquid temperature range: -20 .. 120 °C

Liquid temperature during operation: 20 °C

Density: 998.2 kg/m³

**Electrical data:**

Motor standard: IEC

Motor type: 71B

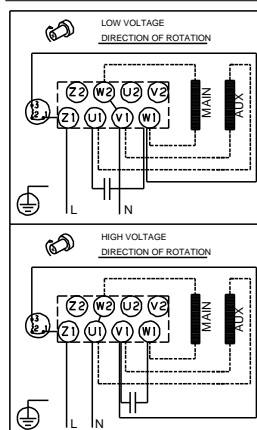
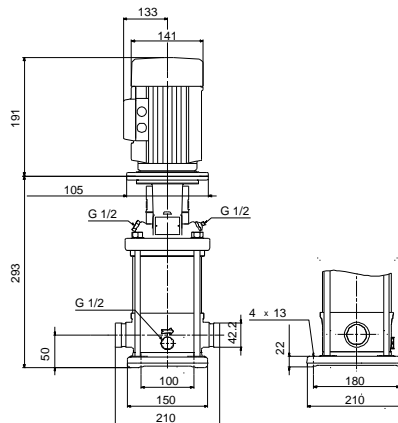
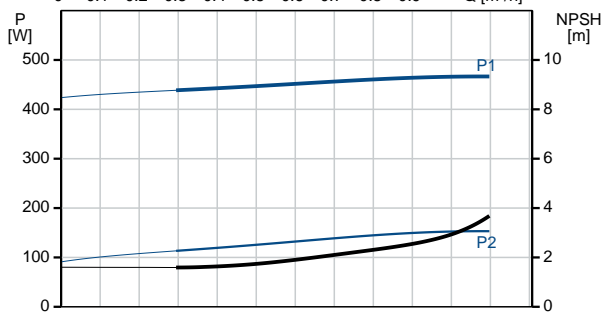
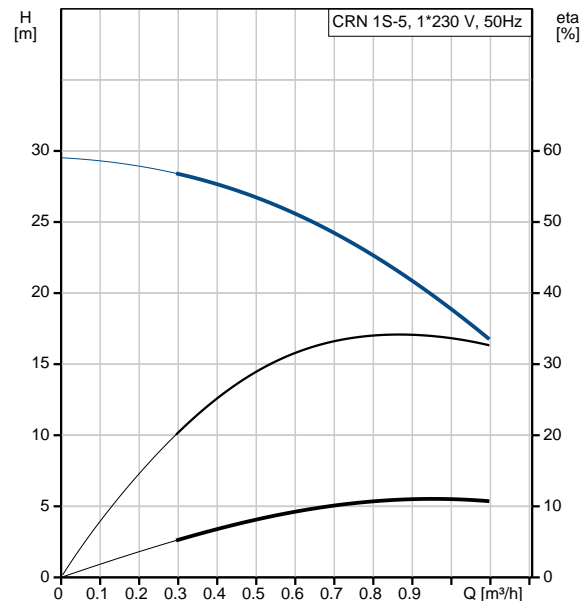
Rated power - P2: 0.37 kW

Power (P2) required by pump: 0.37 kW

Mains frequency: 50 Hz

Rated voltage: 1 x 220-230/240 V

Rated current: 2.95/2.70 A





Company name:

Created by:

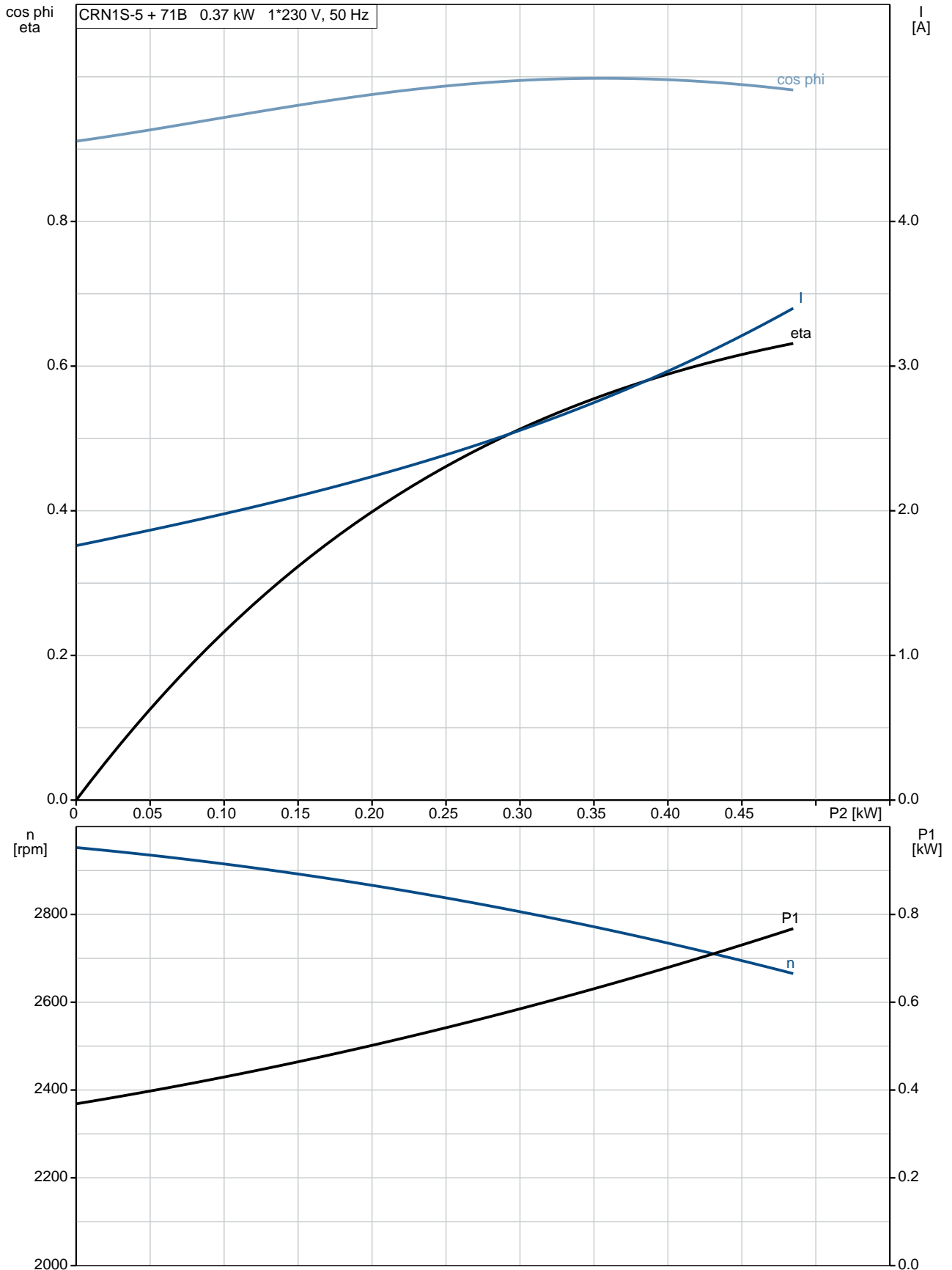
Phone:

Date:

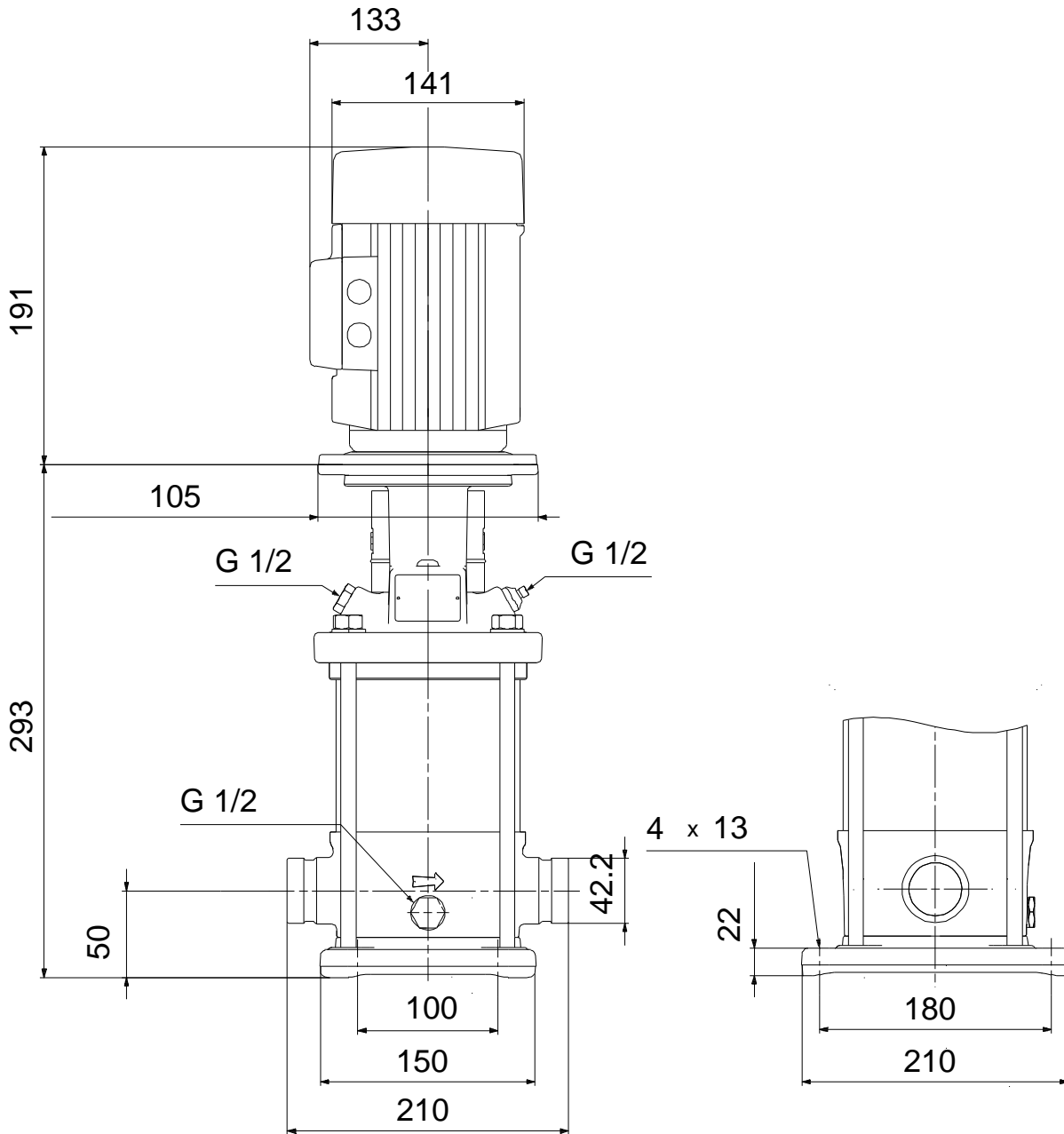
07/03/2019

Description	Value
Starting current:	280 %
Cos phi - power factor:	0.99
Rated speed:	2770 rpm
Motor efficiency at full load:	60.0-56.0 %
Number of poles:	2
Enclosure class (IEC 34-5):	55 Dust/Jetting
Insulation class (IEC 85):	F
Motor protec:	PTO
Motor No:	85215102
<b>Controls:</b>	
Frequency converter:	NONE
<b>Others:</b>	
Minimum efficiency index, MEI %:	0.54
Net weight:	18.1 kg
Gross weight:	20.7 kg
Shipping volume:	0.054 m <sup>3</sup>
Sales region:	GB
Country of origin:	GB
Custom tariff no.:	84137075

## 96532149 CRN 1S-5 A-P-A-E-HQQE 50 Hz



## 96532149 CRN 1S-5 A-P-A-E-HQQE 50 Hz



Note! All units are in [mm] unless others are stated.  
Disclaimer: This simplified dimensional drawing does not show all details.