
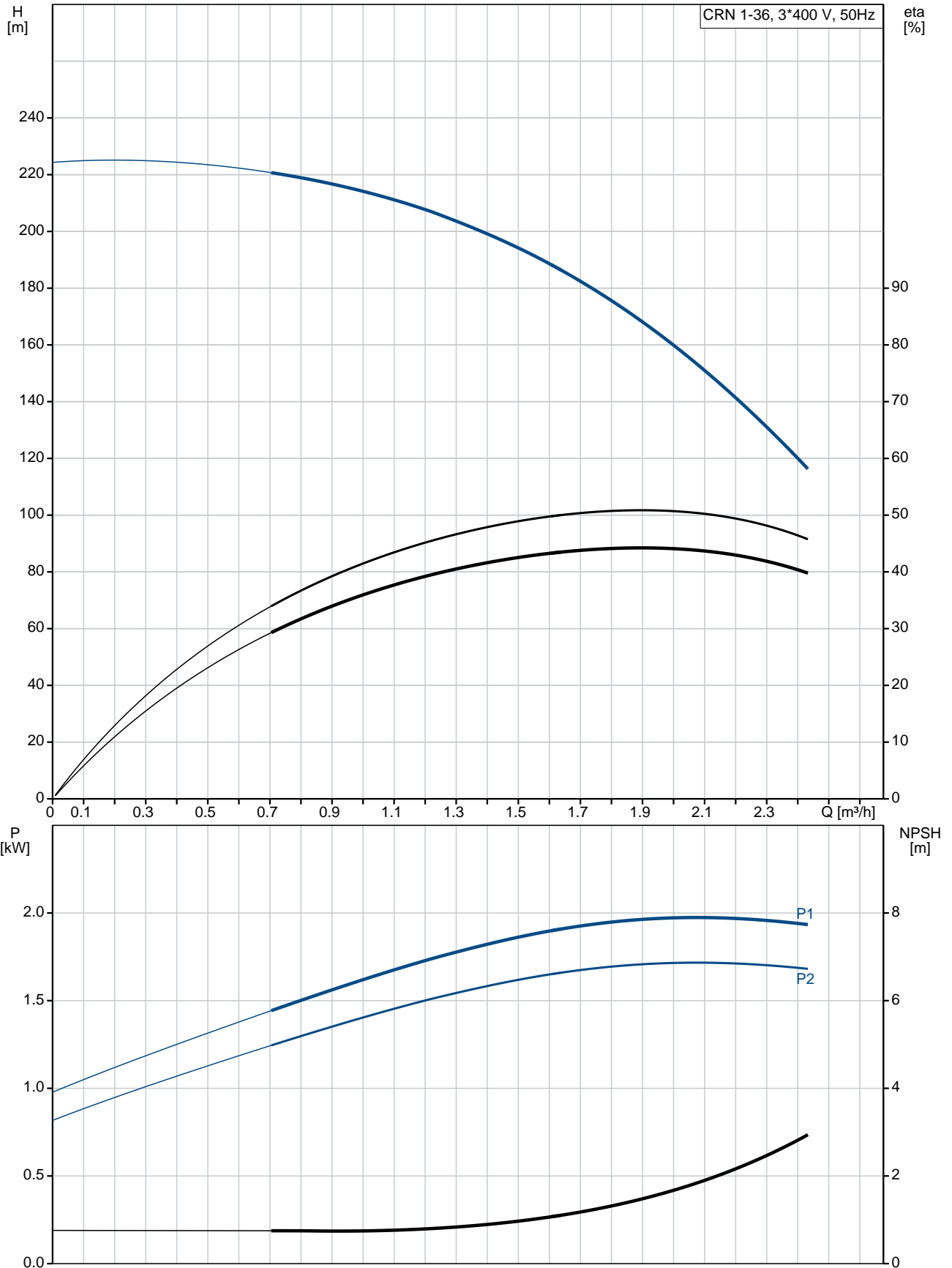


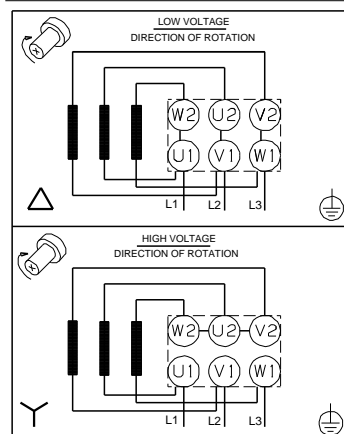
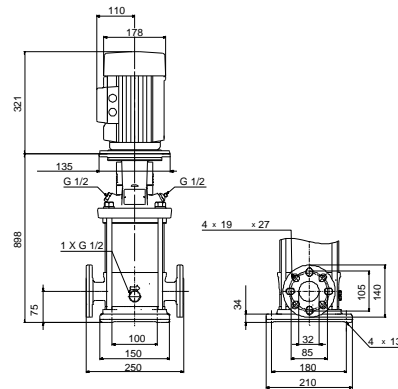
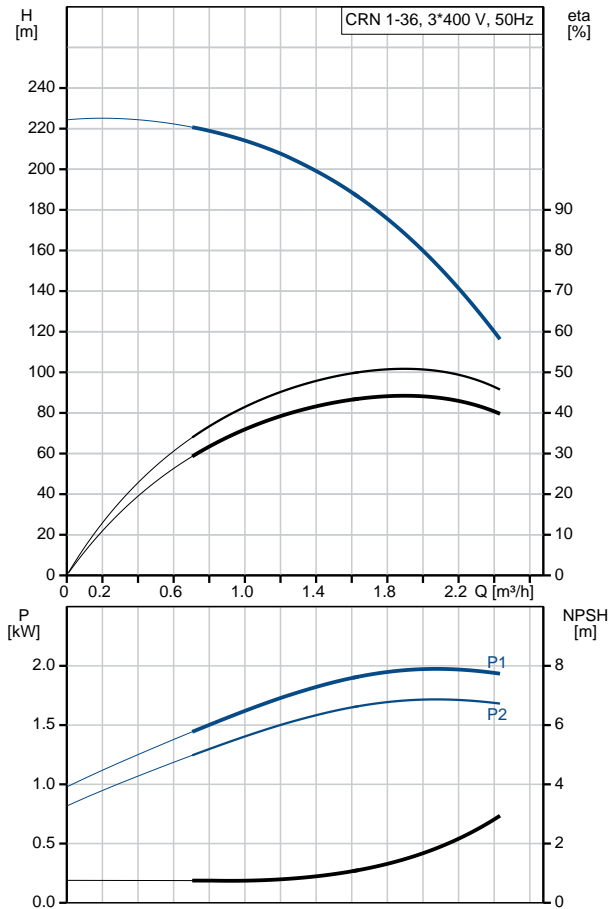
Qty.	Description
1	<p data-bbox="199 336 526 369">CRN 1-36 A-FGJ-H-E-HQQE</p>  <p data-bbox="199 660 470 689">Product No.: 96531519</p> <p data-bbox="199 716 1404 824">Vertical, multistage centrifugal pump with inlet and outlet ports on same the level (inline). Pump materials in contact with the liquid are in high-grade stainless steel. A cartridge shaft seal ensures high reliability, safe handling, and easy access and service. Power transmission is via a rigid split coupling. Pipe connection is via combined DIN-ANSI-JIS flanges.</p> <p data-bbox="199 862 933 891">The pump is fitted with a 3-phase, fan-cooled asynchronous motor.</p> <p data-bbox="199 918 319 947">Controls:</p> <p data-bbox="199 952 638 981">Frequency converter: NONE</p> <p data-bbox="199 1008 295 1037">Liquid:</p> <p data-bbox="199 1041 638 1070">Pumped liquid: Water</p> <p data-bbox="199 1075 710 1104">Liquid temperature range: -20 .. 120 °C</p> <p data-bbox="199 1108 686 1137">Liquid temperature during operation: 20 °C</p> <p data-bbox="199 1142 702 1171">Density: 998.2 kg/m³</p> <p data-bbox="199 1198 327 1227">Technical:</p> <p data-bbox="199 1232 821 1261">Pump speed on which pump data are based: 2899 rpm</p> <p data-bbox="199 1265 662 1294">Rated flow: 1.8 m³/h</p> <p data-bbox="199 1299 662 1328">Rated head: 172.2 m</p> <p data-bbox="199 1332 654 1361">Pump orientation: Vertical</p> <p data-bbox="199 1366 638 1395">Shaft seal arrangement: Single</p> <p data-bbox="199 1400 638 1429">Code for shaft seal: HQQE</p> <p data-bbox="199 1433 726 1462">Approvals on nameplate: CE, EAC,ACS</p> <p data-bbox="199 1467 766 1496">Curve tolerance: ISO9906:2012 3B</p> <p data-bbox="199 1523 327 1552">Materials:</p> <p data-bbox="199 1556 726 1608">Base: Stainless steel EN 1.4408 AISI 316</p> <p data-bbox="199 1612 726 1664">Impeller: Stainless steel EN 1.4401 AISI 316</p> <p data-bbox="199 1668 614 1697">Bearing: SIC</p> <p data-bbox="199 1758 343 1787">Installation:</p> <p data-bbox="199 1792 630 1821">Maximum ambient temperature: 60 °C</p> <p data-bbox="199 1825 638 1854">Maximum operating pressure: 25 bar</p> <p data-bbox="199 1859 742 1910">Max pressure at stated temp: 25 bar / 120 °C 25 bar / -20 °C</p> <p data-bbox="199 1915 742 1944">Type of connection: DIN / ANSI / JIS</p> <p data-bbox="199 1948 678 1977">Size of inlet connection: DN 25/32 1 1/4 inch</p> <p data-bbox="199 2004 678 2056">Size of outlet connection: DN 25/32 1 1/4 inch</p> <p data-bbox="199 2060 686 2089">Pressure rating for pipe connection: PN 25</p> <p data-bbox="199 2094 638 2123">Flange rating inlet: 300 lb</p>

Qty.	Description
	<p data-bbox="199 338 638 369">Flange size for motor: FT115</p> <p data-bbox="199 398 379 430">Electrical data:</p> <p data-bbox="199 430 606 461">Motor standard: IEC</p> <p data-bbox="199 461 630 492">Motor type: 90LC</p> <p data-bbox="199 492 598 524">IE Efficiency class: IE3</p> <p data-bbox="199 524 646 555">Rated power - P2: 2.2 kW</p> <p data-bbox="199 555 646 586">Power (P2) required by pump: 2.2 kW</p> <p data-bbox="199 586 630 618">Mains frequency: 50 Hz</p> <p data-bbox="199 618 853 649">Rated voltage: 3 x 220-240D/380-415Y V</p> <p data-bbox="199 649 694 680">Rated current: 7.70/4.45 A</p> <p data-bbox="199 680 686 712">Starting current: 850-950 %</p> <p data-bbox="199 712 670 743">Cos phi - power factor: 0.89-0.87</p> <p data-bbox="199 743 734 775">Rated speed: 2890-2910 rpm</p> <p data-bbox="199 775 678 806">Efficiency: IE3 85,9%</p> <p data-bbox="199 806 646 837">Motor efficiency at full load: 85.9 %</p> <p data-bbox="199 837 646 869">Motor efficiency at 3/4 load: 86.8 %</p> <p data-bbox="199 869 646 900">Motor efficiency at 1/2 load: 86.0 %</p> <p data-bbox="199 900 582 931">Number of poles: 2</p> <p data-bbox="199 931 742 963">Enclosure class (IEC 34-5): 55 Dust/Jetting</p> <p data-bbox="199 963 582 994">Insulation class (IEC 85): F</p> <p data-bbox="199 1023 295 1055">Others:</p> <p data-bbox="199 1055 678 1086">Minimum efficiency index, MEI $\hat{\alpha}\%$: 0.70</p> <p data-bbox="199 1086 630 1117">Net weight: 48 kg</p> <p data-bbox="199 1117 646 1149">Gross weight: 52.7 kg</p> <p data-bbox="199 1149 662 1180">Shipping volume: 0.148 m³</p> <p data-bbox="199 1180 598 1211">Country of origin: GB</p> <p data-bbox="199 1211 678 1243">Custom tariff no.: 84137075</p>

96531519 CRN 1-36 A-FGJ-H-E-HQQE 50 Hz



Description	Value
General information:	
Product name:	CRN 1-36 A-FGJ-H-E-HQQE
Product No:	96531519
EAN number:	5700397295601
Price:	2.322,00 GBP
Technical:	
Pump speed on which pump data are based:	2899 rpm
Rated flow:	1.8 m ³ /h
Rated head:	172.2 m
Head max:	224.5 m
Stages:	36
Impellers:	36
Number of reduced-diameter impellers:	0
Low NPSH:	N
Pump orientation:	Vertical
Shaft seal arrangement:	Single
Code for shaft seal:	HQQE
Approvals on nameplate:	CE, EAC, ACS
Curve tolerance:	ISO9906:2012 3B
Pump version:	A
Model:	A
Materials:	
Base:	Stainless steel EN 1.4408 AISI 316
Impeller:	Stainless steel EN 1.4401 AISI 316
Material code:	H
Code for rubber:	E
Bearing:	SIC
Installation:	
Maximum ambient temperature:	60 °C
Maximum operating pressure:	25 bar
Max pressure at stated temp:	25 bar / 120 °C 25 bar / -20 °C
Type of connection:	DIN / ANSI / JIS
Size of inlet connection:	DN 25/32 1 1/4 inch
Size of outlet connection:	DN 25/32 1 1/4 inch
Pressure rating for pipe connection:	PN 25
Flange rating inlet:	300 lb
Flange size for motor:	FT115
Connect code:	FGJ
Liquid:	
Pumped liquid:	Water
Liquid temperature range:	-20 .. 120 °C
Liquid temperature during operation:	20 °C
Density:	998.2 kg/m ³
Electrical data:	
Motor standard:	IEC
Motor type:	90LC
IE Efficiency class:	IE3
Rated power - P2:	2.2 kW
Power (P2) required by pump:	2.2 kW
Mains frequency:	50 Hz





Company name:

Created by:

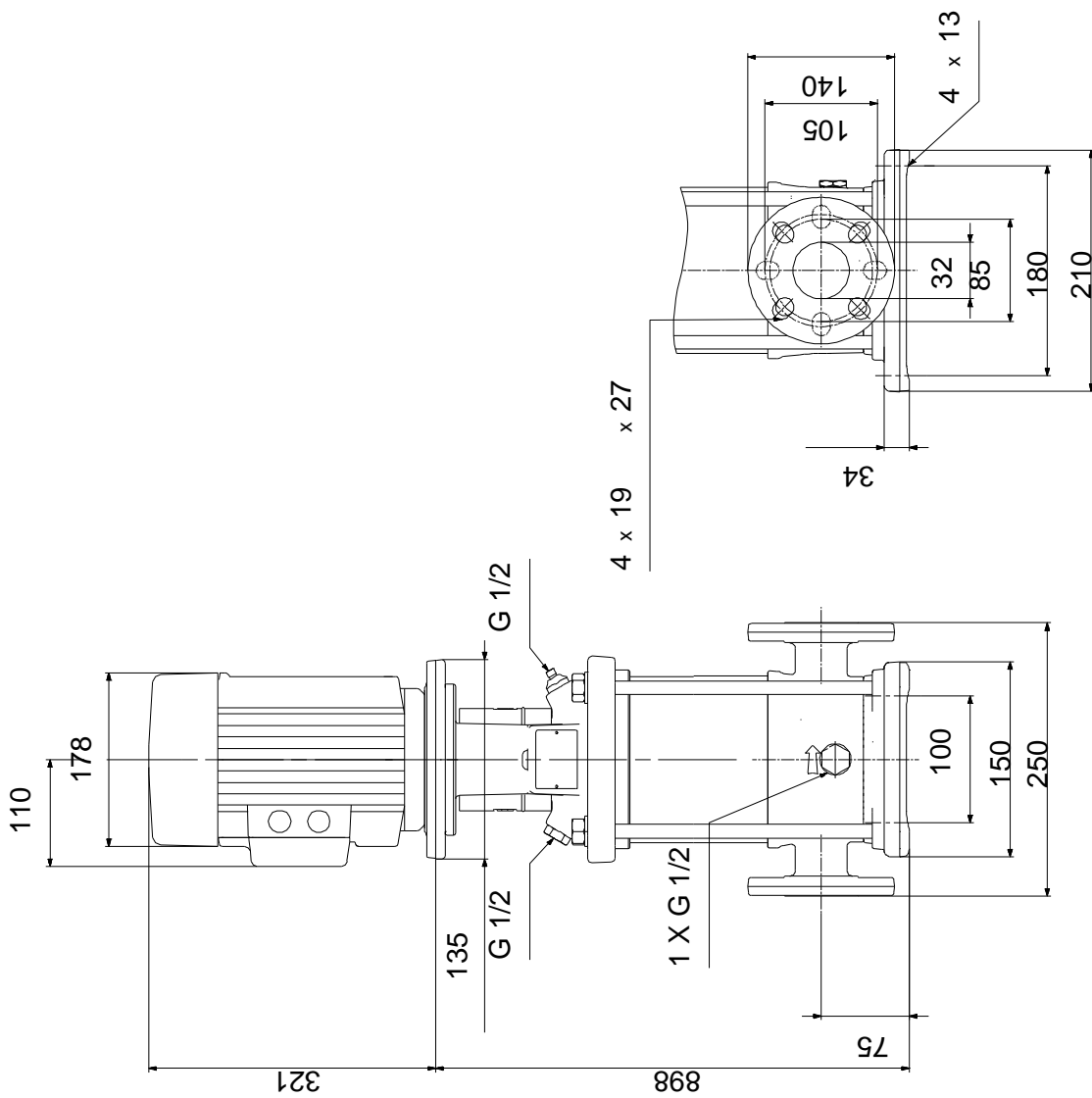
Phone:

Date:

07/03/2019

Description	Value
Rated voltage:	3 x 220-240D/380-415Y V
Rated current:	7.70/4.45 A
Starting current:	850-950 %
Cos phi - power factor:	0.89-0.87
Rated speed:	2890-2910 rpm
Efficiency:	IE3 85,9%
Motor efficiency at full load:	85.9 %
Motor efficiency at 3/4 load:	86.8 %
Motor efficiency at 1/2 load:	86.0 %
Number of poles:	2
Enclosure class (IEC 34-5):	55 Dust/Jetting
Insulation class (IEC 85):	F
Motor protec:	NONE
Motor No:	85U05908
Controls:	
Frequency converter:	NONE
Others:	
Minimum efficiency index, MEI $\hat{a}\%_{\text{e}}\text{¥}$:	0.70
Net weight:	48 kg
Gross weight:	52.7 kg
Shipping volume:	0.148 m ³
Sales region:	Great Britain
Country of origin:	GB
Custom tariff no.:	84137075

96531519 CRN 1-36 A-FGJ-H-E-HQQE 50 Hz



Note! All units are in [mm] unless others are stated.
Disclaimer: This simplified dimensional drawing does not show all details.