
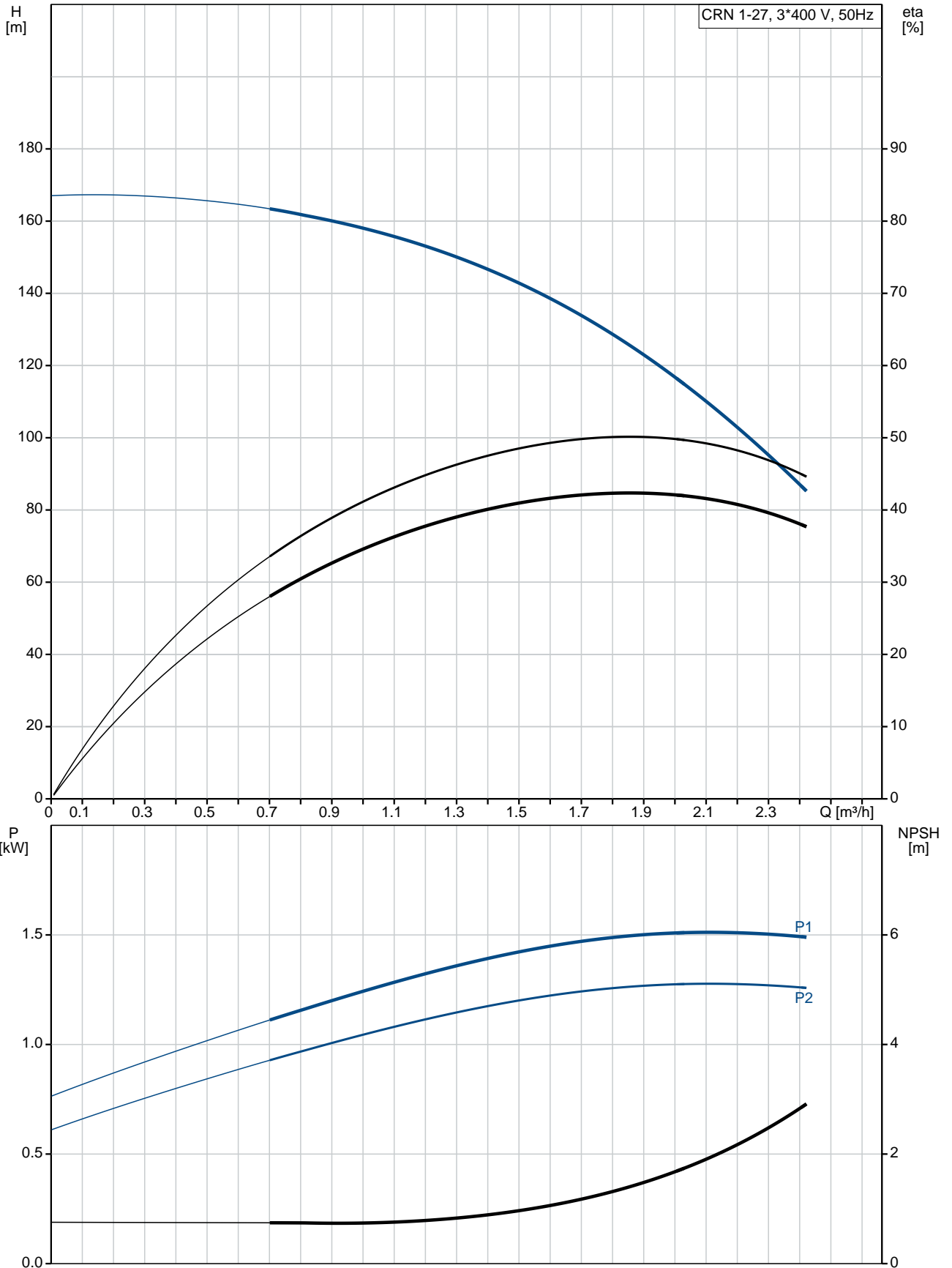


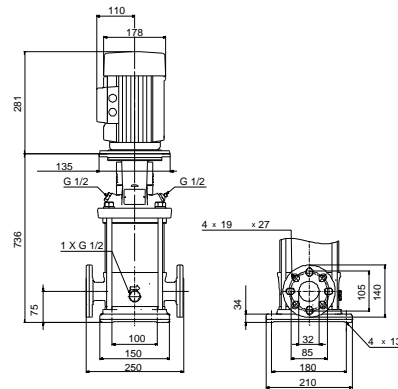
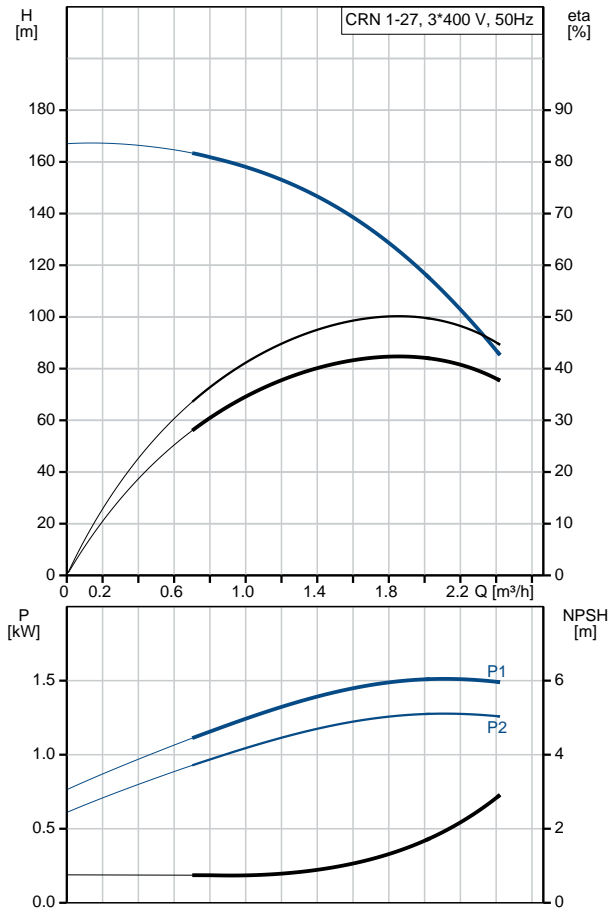
Qty.	Description
1	<p data-bbox="199 336 526 369"><b>CRN 1-27 A-FGJ-H-E-HQQE</b></p>  <p data-bbox="199 660 470 694">Product No.: <a href="#">96531512</a></p> <p data-bbox="199 716 1404 817">Vertical, multistage centrifugal pump with inlet and outlet ports on same the level (inline). Pump materials in contact with the liquid are in high-grade stainless steel. A cartridge shaft seal ensures high reliability, safe handling, and easy access and service. Power transmission is via a rigid split coupling. Pipe connection is via combined DIN-ANSI-JIS flanges.</p> <p data-bbox="199 862 933 896">The pump is fitted with a 3-phase, fan-cooled asynchronous motor.</p> <p data-bbox="199 918 319 952"><b>Controls:</b></p> <p data-bbox="199 952 638 985">Frequency converter: NONE</p> <p data-bbox="199 1008 295 1041"><b>Liquid:</b></p> <p data-bbox="199 1041 638 1075">Pumped liquid: Water</p> <p data-bbox="199 1075 710 1108">Liquid temperature range: -20 .. 120 °C</p> <p data-bbox="199 1108 686 1142">Liquid temperature during operation: 20 °C</p> <p data-bbox="199 1142 702 1176">Density: 998.2 kg/m<sup>3</sup></p> <p data-bbox="199 1198 327 1232"><b>Technical:</b></p> <p data-bbox="199 1232 821 1265">Pump speed on which pump data are based: 2896 rpm</p> <p data-bbox="199 1265 662 1299">Rated flow: 1.8 m<sup>3</sup>/h</p> <p data-bbox="199 1299 662 1332">Rated head: 128.3 m</p> <p data-bbox="199 1332 654 1366">Pump orientation: Vertical</p> <p data-bbox="199 1366 638 1400">Shaft seal arrangement: Single</p> <p data-bbox="199 1400 638 1433">Code for shaft seal: HQQE</p> <p data-bbox="199 1433 726 1467">Approvals on nameplate: CE, EAC, ACS</p> <p data-bbox="199 1467 766 1500">Curve tolerance: ISO9906:2012 3B</p> <p data-bbox="199 1523 327 1556"><b>Materials:</b></p> <p data-bbox="199 1556 726 1590">Base: Stainless steel</p> <p data-bbox="566 1590 686 1624">EN 1.4408</p> <p data-bbox="566 1624 662 1657">AISI 316</p> <p data-bbox="199 1657 726 1691">Impeller: Stainless steel</p> <p data-bbox="566 1691 686 1724">EN 1.4401</p> <p data-bbox="566 1724 662 1758">AISI 316</p> <p data-bbox="199 1758 614 1792">Bearing: SIC</p> <p data-bbox="199 1814 343 1848"><b>Installation:</b></p> <p data-bbox="199 1848 630 1881">Maximum ambient temperature: 60 °C</p> <p data-bbox="199 1881 638 1915">Maximum operating pressure: 25 bar</p> <p data-bbox="199 1915 742 1948">Max pressure at stated temp: 25 bar / 120 °C</p> <p data-bbox="566 1948 734 1982">25 bar / -20 °C</p> <p data-bbox="199 1982 742 2016">Type of connection: DIN / ANSI / JIS</p> <p data-bbox="199 2016 678 2049">Size of inlet connection: DN 25/32</p> <p data-bbox="566 2049 678 2083">1 1/4 inch</p> <p data-bbox="199 2083 678 2116">Size of outlet connection: DN 25/32</p> <p data-bbox="566 2116 678 2150">1 1/4 inch</p> <p data-bbox="199 2150 686 2184">Pressure rating for pipe connection: PN 25</p> <p data-bbox="199 2184 638 2217">Flange rating inlet: 300 lb</p>

Qty.	Description
	<p data-bbox="199 338 638 371">Flange size for motor: FT115</p> <p data-bbox="199 400 379 430"><b>Electrical data:</b></p> <p data-bbox="199 430 606 459">Motor standard: IEC</p> <p data-bbox="199 459 630 488">Motor type: 90SB</p> <p data-bbox="199 488 598 517">IE Efficiency class: IE3</p> <p data-bbox="199 517 646 546">Rated power - P2: 1.5 kW</p> <p data-bbox="199 546 646 575">Power (P2) required by pump: 1.5 kW</p> <p data-bbox="199 575 630 604">Mains frequency: 50 Hz</p> <p data-bbox="199 604 853 633">Rated voltage: 3 x 220-240D/380-415Y V</p> <p data-bbox="199 633 694 663">Rated current: 5.45/3.15 A</p> <p data-bbox="199 663 686 692">Starting current: 850-930 %</p> <p data-bbox="199 692 670 721">Cos phi - power factor: 0.87-0.82</p> <p data-bbox="199 721 734 750">Rated speed: 2890-2910 rpm</p> <p data-bbox="199 750 678 779">Efficiency: IE3 84,2%</p> <p data-bbox="199 779 646 808">Motor efficiency at full load: 84.2 %</p> <p data-bbox="199 808 646 837">Motor efficiency at 3/4 load: 84.5 %</p> <p data-bbox="199 837 646 866">Motor efficiency at 1/2 load: 83.1 %</p> <p data-bbox="199 866 582 896">Number of poles: 2</p> <p data-bbox="199 896 742 925">Enclosure class (IEC 34-5): 55 Dust/Jetting</p> <p data-bbox="199 925 582 954">Insulation class (IEC 85): F</p> <p data-bbox="199 992 295 1021"><b>Others:</b></p> <p data-bbox="199 1021 678 1050">Minimum efficiency index, MEI <math>\hat{\alpha}\%</math>: 0.70</p> <p data-bbox="199 1050 646 1079">Net weight: 41.3 kg</p> <p data-bbox="199 1079 646 1108">Gross weight: 44.2 kg</p> <p data-bbox="199 1108 646 1137">Shipping volume: 0.13 m<sup>3</sup></p> <p data-bbox="199 1137 598 1167">Country of origin: GB</p> <p data-bbox="199 1167 678 1196">Custom tariff no.: 84137075</p>

## 96531512 CRN 1-27 A-FGJ-H-E-HQQE 50 Hz



Description	Value
<b>General information:</b>	
Product name:	CRN 1-27 A-FGJ-H-E-HQQE
Product No:	96531512
EAN number:	5700397295571
Price:	1.867,00 GBP
<b>Technical:</b>	
Pump speed on which pump data are based:	2896 rpm
Rated flow:	1.8 m <sup>3</sup> /h
Rated head:	128.3 m
Head max:	168 m
Stages:	27
Impellers:	27
Number of reduced-diameter impellers:	0
Low NPSH:	N
Pump orientation:	Vertical
Shaft seal arrangement:	Single
Code for shaft seal:	HQQE
Approvals on nameplate:	CE, EAC, ACS
Curve tolerance:	ISO9906:2012 3B
Pump version:	A
Model:	A
<b>Materials:</b>	
Base:	Stainless steel EN 1.4408 AISI 316
Impeller:	Stainless steel EN 1.4401 AISI 316
Material code:	H
Code for rubber:	E
Bearing:	SIC
<b>Installation:</b>	
Maximum ambient temperature:	60 °C
Maximum operating pressure:	25 bar
Max pressure at stated temp:	25 bar / 120 °C 25 bar / -20 °C
Type of connection:	DIN / ANSI / JIS
Size of inlet connection:	DN 25/32 1 1/4 inch
Size of outlet connection:	DN 25/32 1 1/4 inch
Pressure rating for pipe connection:	PN 25
Flange rating inlet:	300 lb
Flange size for motor:	FT115
Connect code:	FGJ
<b>Liquid:</b>	
Pumped liquid:	Water
Liquid temperature range:	-20 .. 120 °C
Liquid temperature during operation:	20 °C
Density:	998.2 kg/m <sup>3</sup>
<b>Electrical data:</b>	
Motor standard:	IEC
Motor type:	90SB
IE Efficiency class:	IE3
Rated power - P2:	1.5 kW
Power (P2) required by pump:	1.5 kW
Mains frequency:	50 Hz





Company name:

Created by:

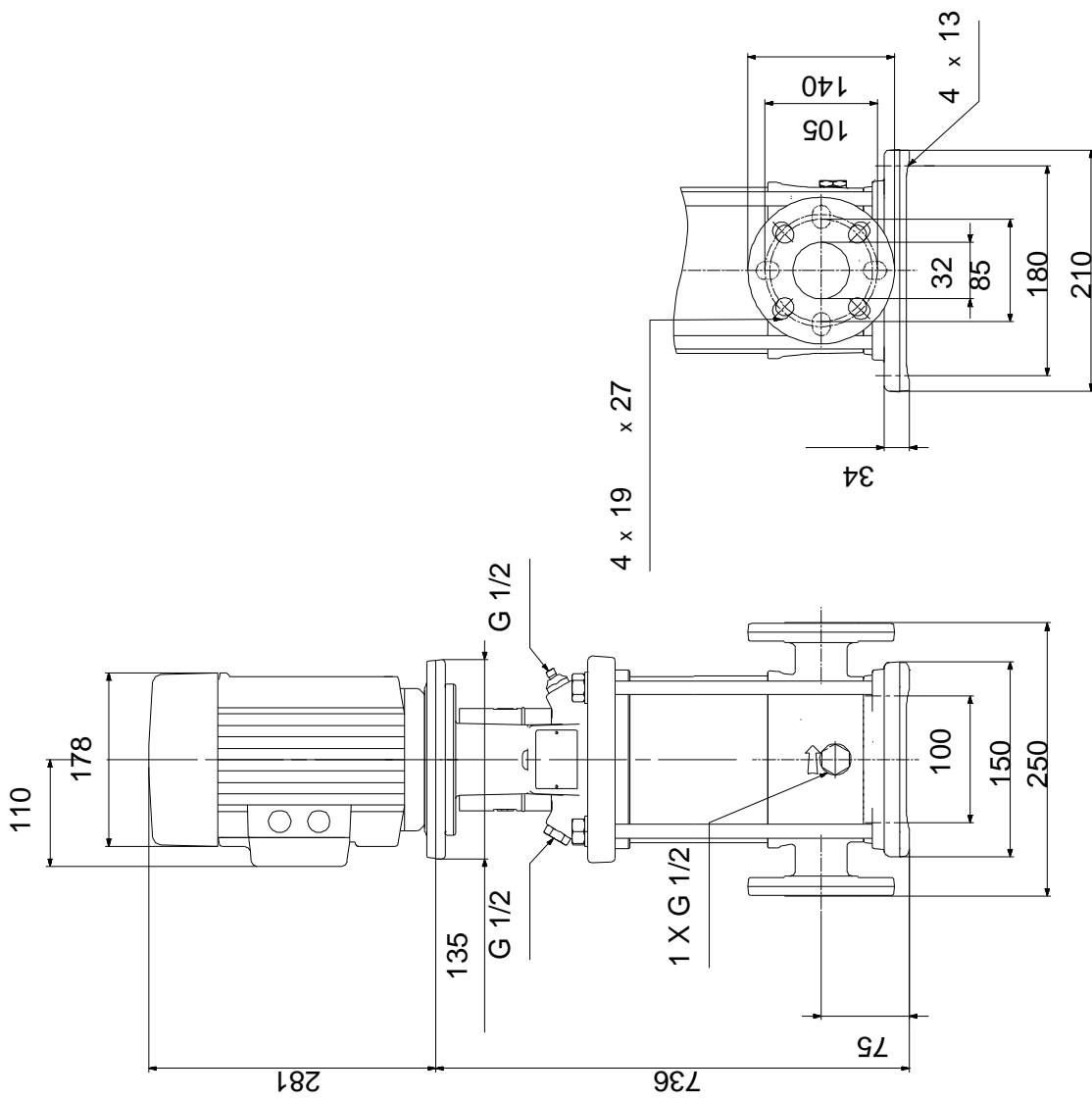
Phone:

Date:

07/03/2019

Description	Value
Rated voltage:	3 x 220-240D/380-415Y V
Rated current:	5.45/3.15 A
Starting current:	850-930 %
Cos phi - power factor:	0.87-0.82
Rated speed:	2890-2910 rpm
Efficiency:	IE3 84,2%
Motor efficiency at full load:	84.2 %
Motor efficiency at 3/4 load:	84.5 %
Motor efficiency at 1/2 load:	83.1 %
Number of poles:	2
Enclosure class (IEC 34-5):	55 Dust/Jetting
Insulation class (IEC 85):	F
Motor protec:	NONE
Motor No:	85U05906
<b>Controls:</b>	
Frequency converter:	NONE
<b>Others:</b>	
Minimum efficiency index, MEI $\hat{\alpha}\%$ ¥:	0.70
Net weight:	41.3 kg
Gross weight:	44.2 kg
Shipping volume:	0.13 m <sup>3</sup>
Sales region:	Great Britain
Country of origin:	GB
Custom tariff no.:	84137075

## 96531512 CRN 1-27 A-FGJ-H-E-HQQE 50 Hz



Note! All units are in [mm] unless others are stated.  
Disclaimer: This simplified dimensional drawing does not show all details.