


Position	Qty.	Description
	1	<p data-bbox="320 338 791 369">GT-H-60 PN10 G1 H (w.feet and p.stand)</p> <div data-bbox="336 421 679 752" style="text-align: center;">  </div> <p data-bbox="711 768 1193 792" style="text-align: center;">Note! Product picture may differ from actual product</p> <p data-bbox="320 799 584 826">Product No.: 96528389</p> <p data-bbox="320 860 1437 960">Grundfos GT-H-60 PN10 G1 H (w.feet and p.stand) is a Diaphragm pressure tank, with a capacity of 60.0 l and Horizontal installation. The tanks are approved for drinking water. The GT-H-60 PN10 G1 H (w.feet and p.stand) is designed for a maximum operation pressure of 10 bar and a maximum liquid temperature of 90 °C.</p> <p data-bbox="320 1061 1401 1115">The tank is a steel pressure tank with a non-toxic butyl rubber diaphragm with a precision-moulded polypropylene liner for superior air and water separation.</p> <p data-bbox="320 1301 1449 1424">A pressure tank ensures controlled pressure in the water supply and thereby limits the switching frequency of the pump in case of low water consumption or leakage loss. The result is increased comfort in your installation by limiting the start/stop frequency of your pump, and it increases system comfort by compensating for pressure drops when a tap is opened, while reducing problems with water hammer in the pipework.</p> <p data-bbox="320 1498 746 1554">Liquid: Maximum liquid temperature: 90 °C</p> <p data-bbox="320 1588 804 1644">Technical: Membrane type: Diaphragm</p> <p data-bbox="320 1677 1002 1733">Materials: Material: Carbon steel / Polypropylene</p> <p data-bbox="320 1767 756 1856">Installation: Maximum operating pressure: 10 bar Size: 60.0</p> <p data-bbox="320 1890 783 2002">Others: Net weight: 15.1 kg Gross weight: 7 kg Applicat. typ: Standard</p>



Company name:

Created by:

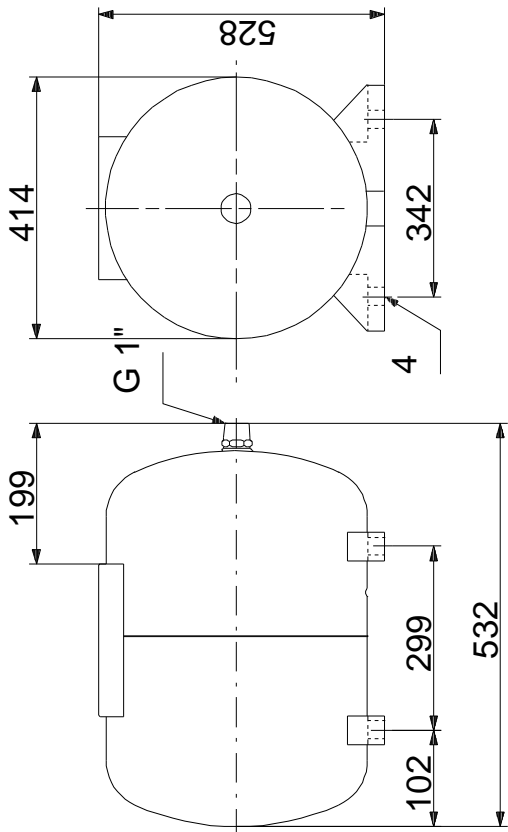
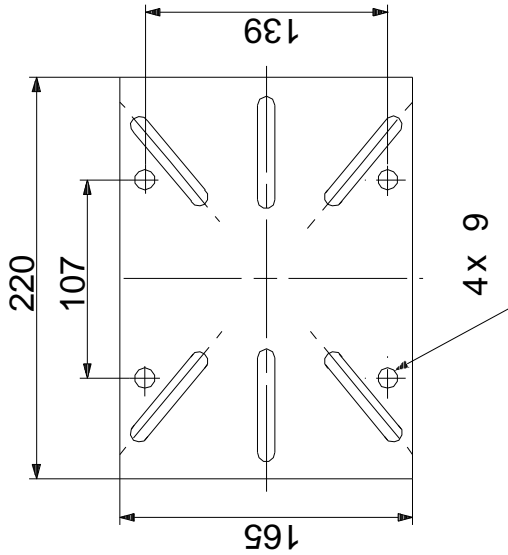
Phone:

Date:

02/11/2018

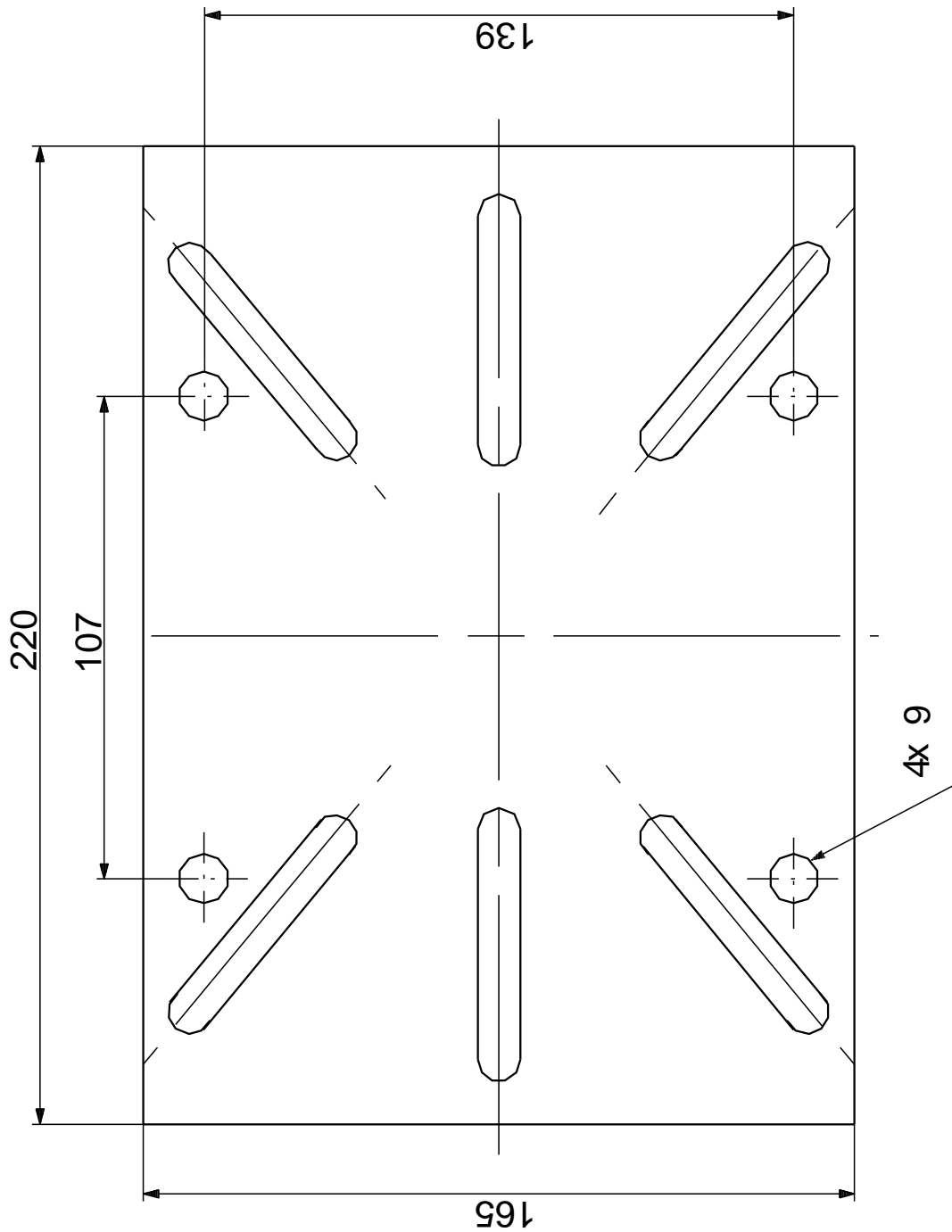
Description	Value
General information:	
Product name:	GT-H-60 PN10 G1 H (w.feet and p.stand)
Product No:	96528389
EAN number:	5700397134214
Technical:	
Membrane type:	Diaphragm
Materials:	
Material:	Carbon steel / Polypropylene
Installation:	
Maximum operating pressure:	10 bar
Pre-pressure:	1.9 bar
Installation:	Horizontal
Size:	60.0
Liquid:	
Maximum liquid temperature:	90 °C
Others:	
Net weight:	15.1 kg
Gross weight:	7 kg
Applicat. typ:	Standard

96528389 GT-H-60 PN10 G1 H (w.feet and p.stand) 50 Hz



Note! All units are in [mm] unless others are stated.
Disclaimer: This simplified dimensional drawing does not show all details.

96528389 GT-H-60 PN10 G1 H (w.feet and p.stand) 50 Hz



Note! All units are in [mm] unless others are stated.
Disclaimer: This simplified dimensional drawing does not show all details.