


Position	Qty.	Description
	1	<p data-bbox="320 338 799 367"><b>GT-H-24 PN10 G1 H (w. feet and p.stand)</b></p> <div data-bbox="336 421 679 752" style="text-align: center;">  </div> <p data-bbox="711 768 1193 792" style="text-align: center;"><b>Note! Product picture may differ from actual product</b></p> <p data-bbox="320 799 587 824">Product No.: <a href="#">96528388</a></p> <p data-bbox="320 860 1437 958">Grundfos GT-H-24 PN10 G1 H (w. feet and p.stand) is a Diaphragm pressure tank, with a capacity of 24.0 l and Horizontal installation. The tanks are approved for drinking water. The GT-H-24 PN10 G1 H (w. feet and p.stand) is designed for a maximum operation pressure of 10 bar and a maximum liquid temperature of 90 °C.</p> <p data-bbox="320 1061 1401 1113">The tank is a steel pressure tank with a non-toxic butyl rubber diaphragm with a precision-moulded polypropylene liner for superior air and water separation.</p> <p data-bbox="320 1299 1449 1420">A pressure tank ensures controlled pressure in the water supply and thereby limits the switching frequency of the pump in case of low water consumption or leakage loss. The result is increased comfort in your installation by limiting the start/stop frequency of your pump, and it increases system comfort by compensating for pressure drops when a tap is opened, while reducing problems with water hammer in the pipework.</p> <p data-bbox="320 1498 746 1554"><b>Liquid:</b> Maximum liquid temperature: 90 °C</p> <p data-bbox="320 1588 804 1644"><b>Technical:</b> Membrane type: Diaphragm</p> <p data-bbox="320 1677 1002 1733"><b>Materials:</b> Material: Carbon steel / Polypropylene</p> <p data-bbox="320 1767 756 1856"><b>Installation:</b> Maximum operating pressure: 10 bar Size: 24.0</p> <p data-bbox="320 1890 810 2036"><b>Others:</b> Net weight: 5.5 kg Gross weight: 6.3 kg Applicat. typ: Standard Danish VVS No.: 385549354</p>



Company name:

Created by:

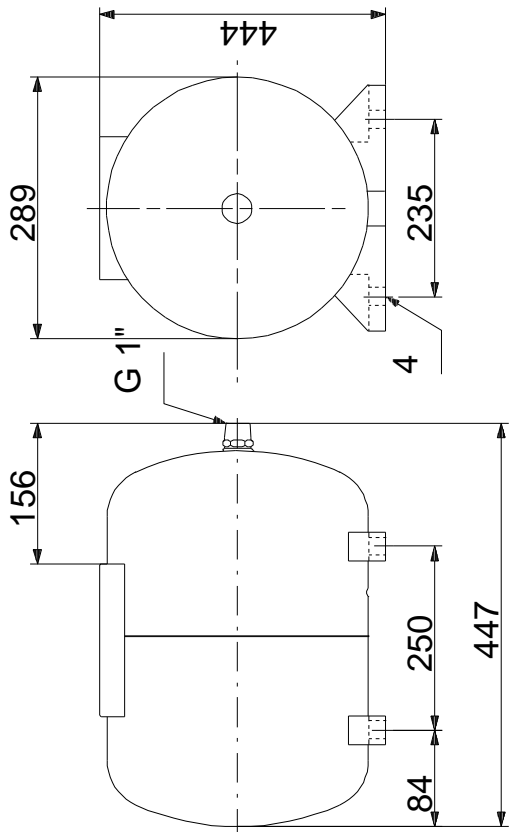
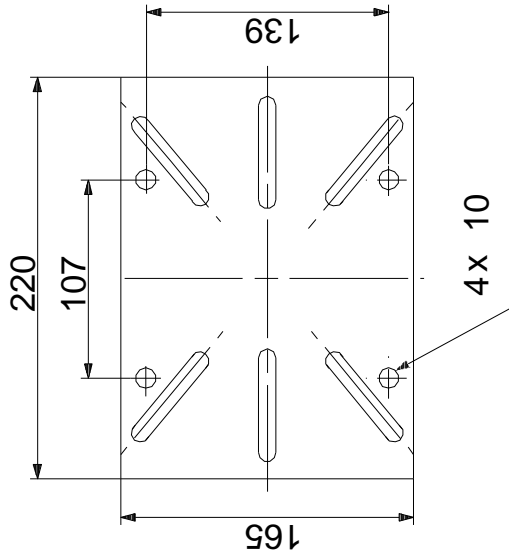
Phone:

Date:

02/11/2018

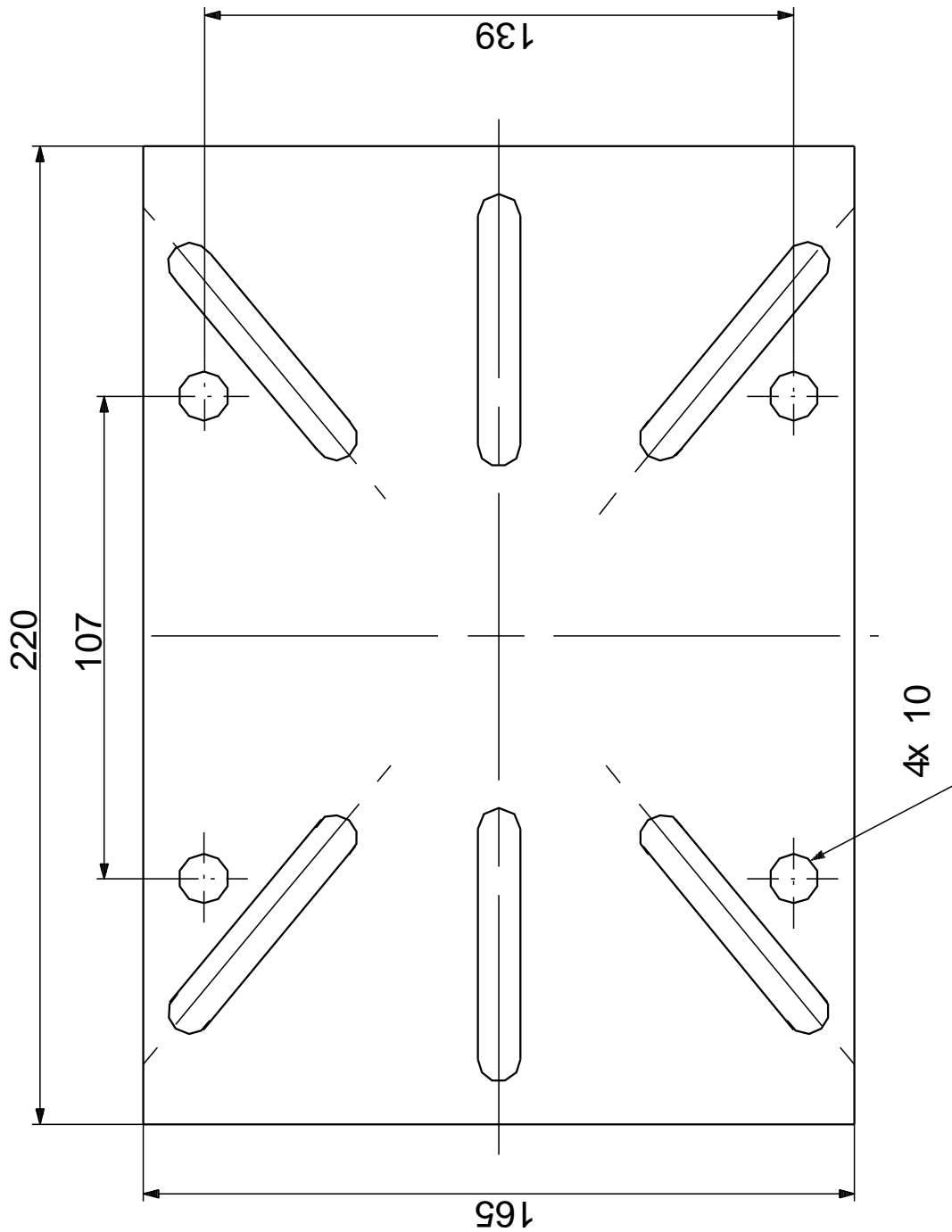
Description	Value
<b>General information:</b>	
Product name:	GT-H-24 PN10 G1 H (w. feet and p.stand)
Product No:	96528388
EAN number:	5700397134191
<b>Technical:</b>	
Membrane type:	Diaphragm
<b>Materials:</b>	
Material:	Carbon steel / Polypropylene
<b>Installation:</b>	
Maximum operating pressure:	10 bar
Pre-pressure:	1.9 bar
Installation:	Horizontal
Size:	24.0
<b>Liquid:</b>	
Maximum liquid temperature:	90 °C
<b>Others:</b>	
Net weight:	5.5 kg
Gross weight:	6.3 kg
Applicat. typ:	Standard
Danish VVS No.:	385549354

**96528388 GT-H-24 PN10 G1 H (w. feet and p. stand) 50 Hz**



Note! All units are in [mm] unless others are stated.  
Disclaimer: This simplified dimensional drawing does not show all details.

**96528388 GT-H-24 PN10 G1 H (w. feet and p. stand) 50 Hz**



Note! All units are in [mm] unless others are stated.  
Disclaimer: This simplified dimensional drawing does not show all details.